

 Wheelchair

 Fauteuil roulant

 Rolstoel



Life

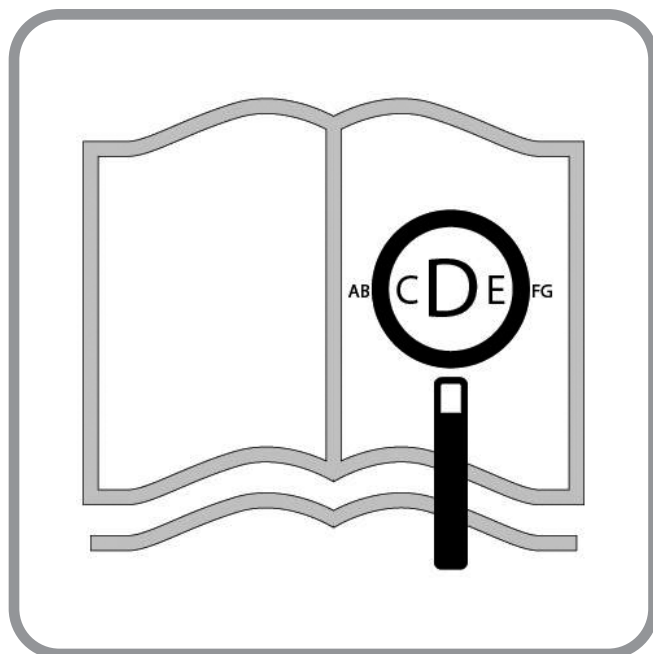
Directions for use

Notice d'utilisation

Gebruikershandleiding


QUICKIE®

000690649



If you are visually impaired, this document can be viewed in pdf format at www.Sunrisemedical.co.uk or alternatively is available on request in large text.

Si vous souffrez de déficience visuelle, ce document peut être consulté en format pdf sur www.Sunrisemedical.fr ou vous être envoyé en grands caractères sur demande.

Als u visueel gehandicapt bent, kunt u dit document op www.Sunrisemedical.nl in pdf-formaat bekijken. Ook is de tekst op verzoek in groot lettertype beschikbaar.

Wheelchair Components

EN



We at SUNRISE MEDICAL have been awarded the ISO-13485 certificate, which affirms the quality of our products at every stage, from R & D to production. This product complies with the standards set forth in EU and UK regulations. Options or accessories shown are available at extra cost.

Description du fauteuil

FR



Nous, la société SUNRISE, sommes certifiés ISO 13485, ce qui garantit la qualité de nos produits à tous les stades, du développement jusqu'à la production. Ce produit est conforme aux exigences des réglementations de l'Union européenne et du Royaume-Uni. Les options ou accessoires illustrés sont disponibles en option.

Rolstoelonderdelen

NL



SUNRISE MEDICAL heeft het ISO 13485 certificaat toegekend gekregen, een bewijs van de kwaliteit van onze processen in elk stadium, vanaf het onderzoek en de ontwikkeling tot de productie. Dit product voldoet aan de standaarden zoals bepaald in regelgeving van de EU en het VK. Getoonde opties en accessoires zijn tegen betaling verkrijgbaar.

**Wheelchairs:**

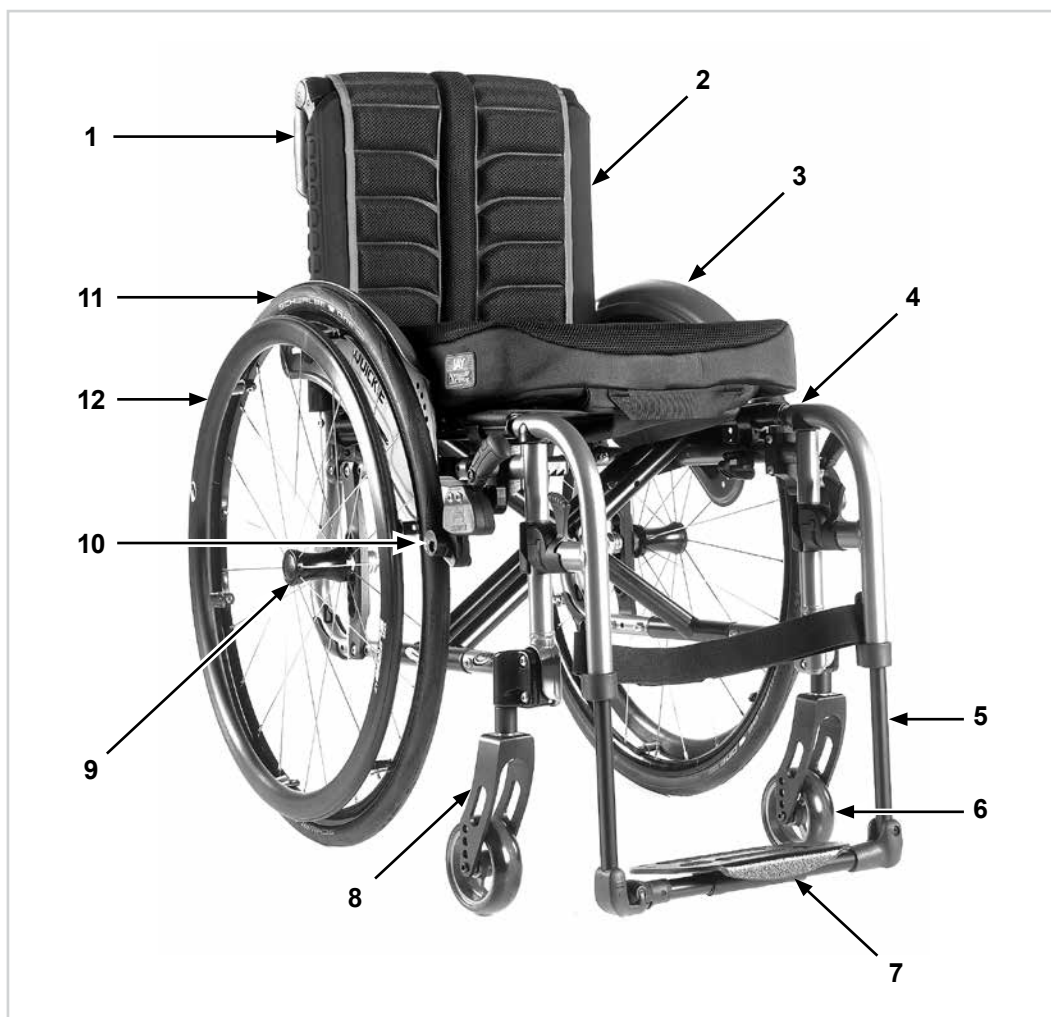
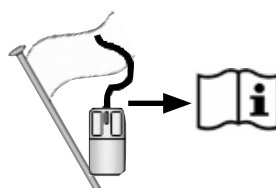
1. Push handles
2. Backrest upholstery
3. Sideguard
4. Seat sling
5. Footrest
6. Castors
7. Footboard
8. Fork
9. Quick-release axle
10. Wheel locks
11. Handrim
12. Rear wheel



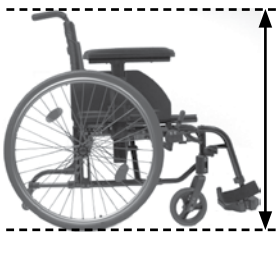
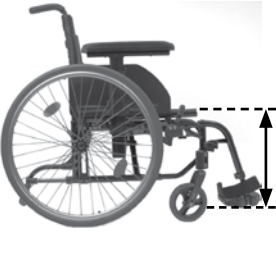






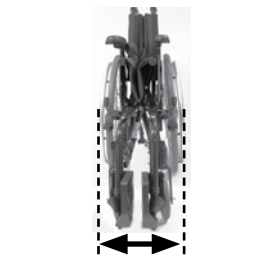
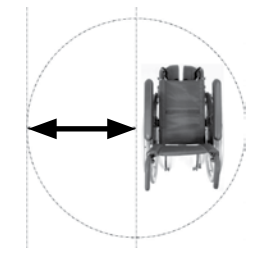
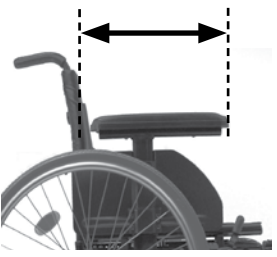




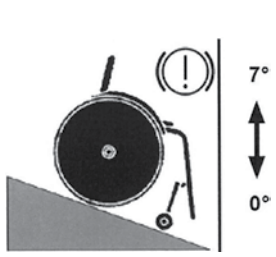
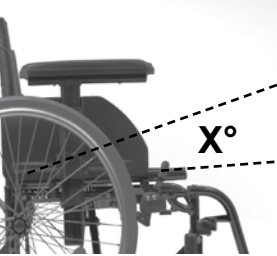
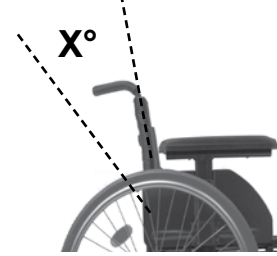
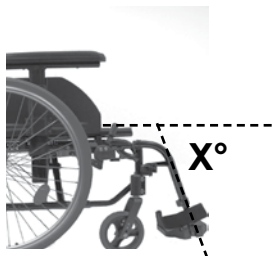



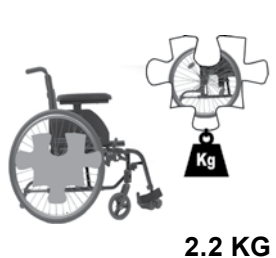
**Fauteuils roulants :**




1. Poignées de poussée
2. Toile de dossier
3. Protège-vêtement
4. Toile du siège
5. Repose-pieds
6. Roues avant
7. Palette
8. Fourche
9. Axe à déverrouillage rapide
10. Freins
11. Main courante
12. Roue arrière












**Rolstoelonderdelen:**

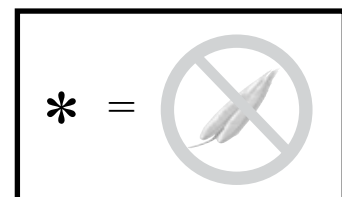
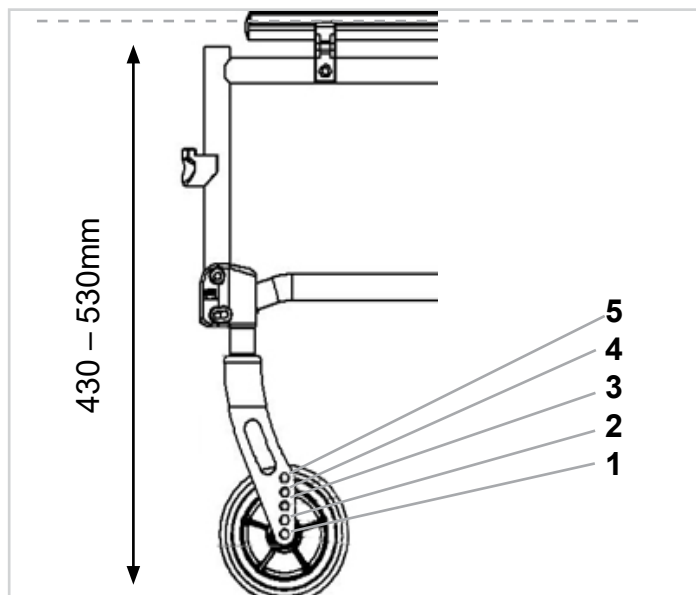
1. Duwhandvatten
2. Spanbanden rug
3. Zijkant
4. Zitmat
5. Voetsteun
6. Voorwielen
7. Voetplaten
8. Vork
9. Quick release assen
10. Remmen
11. Hoepel
12. Achterwiel

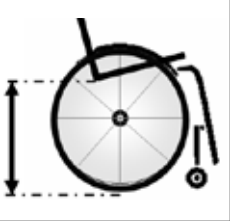
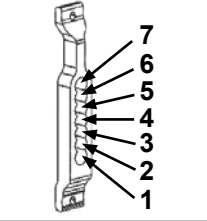
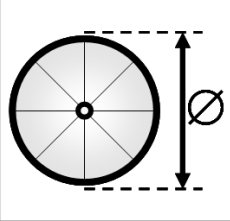
**Table of Contents****8****Sommaire****30****Inhoudsopgave****52**

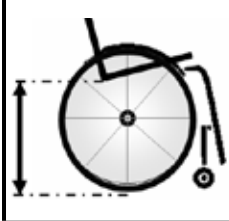
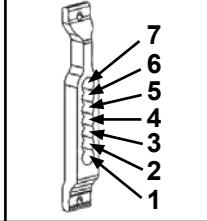
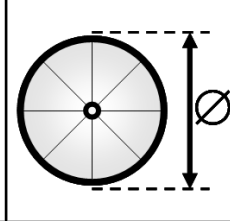
	1075 ↕ 935		760 ↕ 540		995 ↕ 970		470 ↕ 340
	520 ↕ 430		500 ↕ 360		320 ↕ 230		567 ↕ 535
	500 ↕ 250		540 ↕ 360		300 ↕		
	860 ↕ 830		360 ↕ 250		830 ↕ 230		MAX mm ↕ MIN mm
	10° ↕ 10°		10° ↕ 10°		10° ↕ 10°		7° ↕ 0° MAX ↕ MIN
	12° ↕ 0°		12° ↕ 12°		120° ↕ 110°		MAX ↕ MIN
	7.0 ↕		18.0 ↕ 11.0		140 ↕ ---		MAX kg ↕ MIN kg 2.2 KG

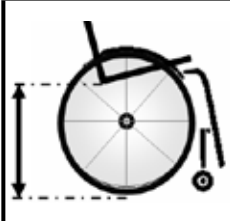
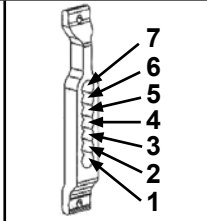
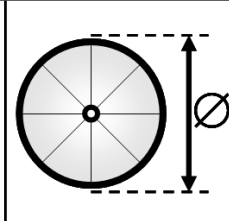
mm    kg

			4" (101.6 mm) 	5" (127 mm) 	6" (152.4 mm) 	7" (177.8 mm) 
 143 mm	5	4			430	
	4	3		430	440	
	3	2	430	440	460	
	2	1	440	450	470	
	1		450	470	480*	
 + 25 mm	5	4			460	
	4	3		460	470	
	3	2	460	470	490	
	2	1	470	480	500	
	1		480	490	510*	
 168 mm	5	4			460	
	4	3		460	470	480
	3	2	460	470	490	490
	2	1	470	480	500	510
	1		480	490	510*	520
 + 25 mm	5	4			480	
	4	3		480	490	510
	3	2	480	490	510	520
	2	1	490	500	520	530
	1		510	520	530*	540



		
400	7	22
410	6	22
420	5	22
440	4	22
450	3	22
460	2	22
470	1	22

		
420	7	24
430	6	24
450	5	24
460	4	24
470	3	24
480	2	24
500	1	24

		
440	7	25
450	6	25
460	5	25
470	4	25
490	3	25
500	2	25
510	1	25

Torque

EN



Unless otherwise advised, the torque for M6 screws is 7 Nm.
Please refer to page 7 for details

Couple réel

FR



Sauf indication contraire, le couple de serrage pour les vis M6 est de 7 Nm.
Reportez-vous à la page 7 pour plus d'informations

Koppel

NL



Tenzij anders is aangegeven, is de draaikracht (torque) voor de M6 schroeven 7 Nm.
Zie pagina 7 voor meer informatie

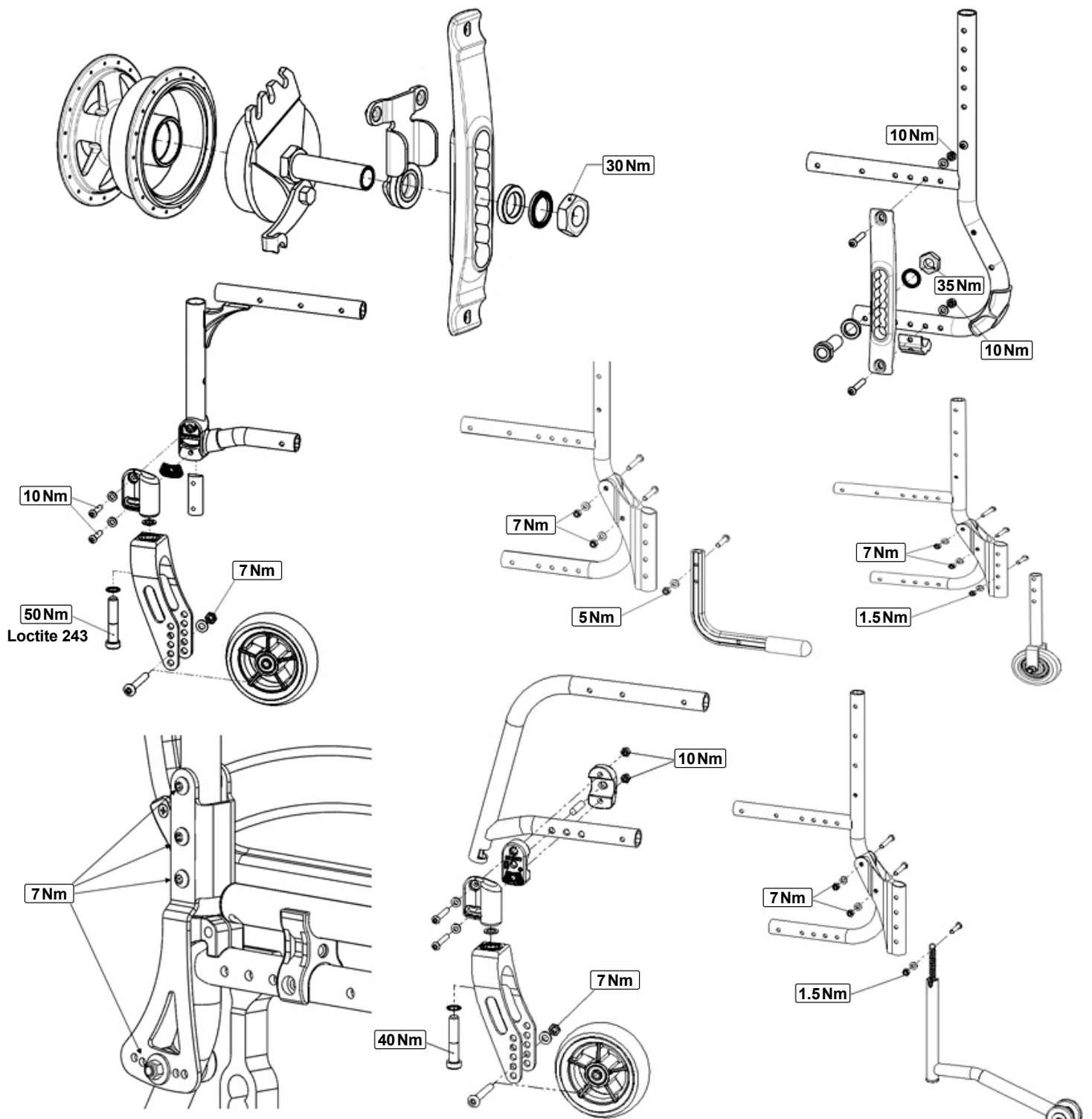


Table of Contents

Definitions	8
Foreword	9
Use	9
Area of application	9
1.0 General safety notes and driving limits	10
2.0 Warranty	12
3.0 Transportability	13
4.0 Handling	15
5.0 Transporting the Wheelchair	15
6.0 Options	16
Brakes	16
Step Tubes	17
Footrests	17
Castor	19
Axle plate (COG)	19
Camber	19
Backrest	20
Half Folding Back	21
Stabilising bar	21
Headrests	21
Options – Hemiplegic armrest	21
Sideguards	22
Options – One Hand Operation	24
Tray	24
Push Handles	24
Push handle	24
Anti-tip tubes	25
Crutch holder	25
Pelvic Restraint Belt	26
Transit wheels	27
7.0 Tyres and Mounting	27
8.0 Name Plate	27
9.0 Maintenance and care	28
10.0 Trouble shooting	28
11.0 Disposal / recycling of materials	28
12.0 Technical Specifications	29








NOTE:

The wheelchairs shown and described in this user guide may not correspond in every detail exactly to your own model. However, all instructions are completely relevant, regardless of possible detail differences.

The manufacturer reserves the right to alter without notice any weights, measurements or other technical data shown in this manual. All figures, measurements and capacities shown in this manual are approximate, and do not constitute specifications.

Definitions

3.1 Definitions of words used in this manual

Word	Definition
 DANGER!	Advice to the user of Potential Risk of serious injury or death if the advice is not followed
 WARNING!	Advice to the user of a potential risk of injury if the advice is not followed
 CAUTION!	Advice to user that potential damage to equipment may occur if the advice is not followed
NOTE:	General advice or best practice
	Reference To Additional Documentation
	Solid
	Soft tyres
	Does not fit

NOTE:

Please keep a note of your local service agent's address and telephone number in the space provided. In the event of a breakdown, contact them and try to give all relevant details so they can help you quickly.

Dealer signature and stamp

Foreword

Dear Customer,

We are very pleased that you have decided in favour of a high-quality SUNRISE MEDICAL product.

This Owner's manual will provide numerous tips and ideas so that your new wheelchair can become a trustworthy and reliable partner in your life.

For Sunrise Medical, it is very important that we have a good relationship with our customers. We like to keep you up-to-date about new and current developments at our company. Keeping close to our customers means: fast service, as little red tape as possible, working closely with customers. When you need replacement parts or accessories, or if you just have a question about your wheelchair – we are there for you.

We want you to be satisfied with our products and service. At Sunrise Medical we are constantly working to develop our products further. For this reason, changes can occur in our palette of products with regard to form, technology, and equipment. Consequently, no claims can be construed from the data or pictures contained in this Owner's manual.

The intended lifetime of this product is 5 years.

The management system of SUNRISE MEDICAL is certified to ISO 13485 and ISO 14001.

**UK
CA** As the manufacturer, SUNRISE MEDICAL, declares that this PRODUCT conforms to the UK Medical Devices Regulation 2002 No. 618.

CE As the manufacturer, SUNRISE MEDICAL, declares that this product conforms to the Medical Device Regulation (2017/745).

NOTE:

General user advice.

Not following these instructions may result in physical injury, damage to the product or damage to the environment!

Notice to the user and/or patient: Any serious incident that has occurred in relation to the device should be reported to the manufacturer and the competent authority of the Member State in which the user and/or patient is established.

B4Me special adaptations

Sunrise Medical strongly recommends that in order to ensure that your B4Me product operates, and performs as intended by the manufacturer; all the user information supplied with your B4Me product is read and understood, before the product is first used.

Sunrise Medical also recommends that the user information is not discarded after reading it, but it is kept safely stored for future reference.

Medical Device Combinations

It may be possible to combine this Medical device with one or more other Medical Device or other product. Information on which combinations are possible can be found at www.SunriseMedical.co.uk. All combinations listed have been validated to meet the General Safety and Performance Requirements, Annex I Nr. 14.1 of the Medical Device Regulation 2017/745.

Guidance on the combination, such as mounting, can be found at www.SunriseMedical.co.uk

Please contact your local, authorised SUNRISE MEDICAL dealer if you have any questions regarding the use, maintenance or safety of your wheelchair.

In case there is no authorised dealer in your area, or you have any questions about product safety and product recalls, contact Sunrise Medical either in writing or by telephone or find the information on www.sunrisemedical.co.uk.

Sunrise Medical
Thorns Road
Brierley Hill
West Midlands
DY5 2LD
Phone: 0845 605 66 88
Fax: 0845 605 66 89
www.SunriseMedical.co.uk



DO NOT USE YOUR WHEELCHAIR UNTIL THIS MANUAL HAS BEEN READ AND UNDERSTOOD.

Use

Wheelchairs are exclusively for children and adults who are unable to walk or have limited mobility, for their own personal use, when self-propelling and being moved by a third party (pushed by attendant), within the home and outdoors.

The maximum weight limit (includes the user and any weight of accessories fitted to the wheelchair) is marked on the serial number label, which is affixed to the crossbar or stabiliser bar below the seat.

Warranty can only be taken on if the product is used under the specified conditions and for the intended purposes. The expected life of the wheelchair is 5 years. Please DO NOT use or fit any 3rd party components to the wheelchair unless they are officially approved by Sunrise Medical.

DANGER!

- Do not fit any unauthorized electronic equipment.
- Do not fit powered or mechanically operated mobility devices, drives, hand-bike or any other device that changes the intended use or the structure of the wheelchair.
- Any combination with other medical devices requires approval directly from Sunrise Medical.

Area of application

Indication:

The variety of fitting variants as well as the modular design mean that it can be used by those who cannot walk or have limited mobility e.g. because of:

- Paralysis
- Loss of extremity (leg amputation)
- Extremity defect deformity
- Joint contractures/joint injuries
- Illnesses such as heart and circulation deficiencies, disturbance of equilibrium or cachexia as well as for elderly people who still have the strength in the upper body. When considering provision, please also note the body size, weight, physical and psychological constitution, the age of the person, living conditions and environment

Contraindication:

- Perception disorder
- Imbalance
- Loss of both arms
- Joint contracture or joint damage on both arms
- Seating disability
- Sight disorder

Please note that driving a wheelchair requires sufficient cognitive, physical and visual skills. The user must be able to assess the effects of actions during the operation of the wheelchair and, if necessary, to correct them. These capabilities and the safe use of the additionally attached components cannot be assessed by Sunrise Medical as a manufacturer. We cannot accept any liability for any damage resulting from this.

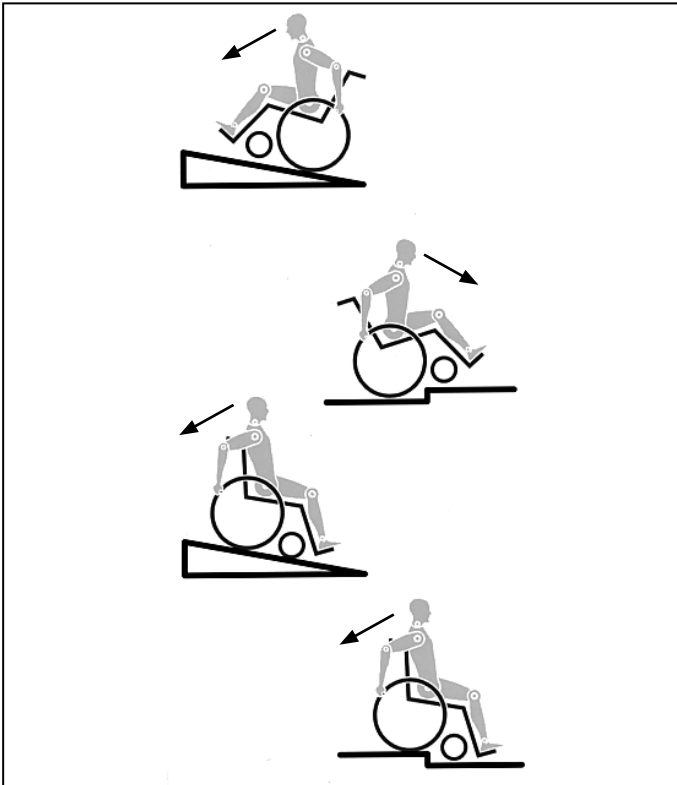
Please refer to the operating instructions of the wheelchair and the additionally mounted components. Instruct the user in the safe use of the wheelchair and the additionally mounted components. Inform users of specific warnings that need to be read, understood, and respected.

When considering provision, please also note the body size, weight, physical and psychological constitution, the age of the person, living conditions and environment.

Operating Conditions

The wheelchair can be used indoors as well as outdoors in self-propelled or attendant configurations, on dry, firm, relatively smooth surfaces. It is not recommended for use in a storm, torrential rain, snow and ice or other extreme weather conditions.

1.0 General safety notes and driving limits



The engineering and construction of this wheelchair has been designed to provide maximum safety. International safety standards currently in force have either been fulfilled or exceeded in parts. Nevertheless, users may put themselves at risk by improperly using their wheelchairs. For your own safety, the following rules must be strictly observed.

Unprofessional or erroneous changes or adjustments increase the risk of accident. As a wheelchair user, you are also part of the daily traffic on streets and pavements, just like anyone else. We would like to remind you that you are therefore also subject to any and all traffic laws.

Be careful during your first ride in this wheelchair. Get to know your wheelchair.

Before each use, the following should be checked:

- Quick-release axles on the rear wheels
- Velcro on seats and backrests
- Tyres, tyre pressure and wheel locks.

Before changing any of the adjustments of this wheelchair, it is important to read the corresponding section of the user's manual.

It is possible that potholes or uneven ground could cause this wheelchair to tip over, especially when riding uphill or downhill. When riding forwards over a step or up an incline, the body should be leaning forward.

DANGER!

- NEVER exceed the maximum load of 140 kg (136 kg crash tested), for driver plus any items carried on the wheelchair. Please note the weight information for lighter weight options, which are quoted separately. If you exceed the maximum load, this can lead to damage to the chair, or you may fall or tip over, lose control and may lead to serious injury of the user and other people.
- When it is dark, please wear light clothing or clothing with reflectors, so that you can be seen more easily. Make sure that the reflectors on the side and back of the wheelchair are clearly visible. We would also recommend that you fit an active light.
- To avoid falls and dangerous situations, you should first practice using your new wheelchair on level ground with good visibility.

- When getting on or off the wheelchair, do not use the footboards. These should be flipped up beforehand and swung to the outside as far as possible. Always position yourself as close as possible to the place where you wish to sit.
- Only use your wheelchair properly. For example, avoid travelling against an obstacle without braking (step, kerb edge) or dropping down gaps.
- The wheel locks are not intended to brake your wheelchair. They are only there to ensure that your wheelchair does not begin rolling unintentionally. When you stop on uneven ground, you should always use the wheel locks to prevent such rolling. Always apply both wheel locks; otherwise, your wheelchair could tip over.
- Explore the effects of changing the centre of gravity on the behaviour of the wheelchair, for example on inclines, slopes, all gradients or when overcoming obstacles. Do this with the secure aid of a helper.
- With extreme settings (e.g. rear wheels in the most forward position) and less than perfect posture, the wheelchair may tip over even on a level surface.
- Lean your upper body further forward when going up slopes and steps.
- Lean your upper body further back when going down slopes and steps. Never try to climb and descend a slope diagonally.
- Avoid using an escalator which may lead to serious injury in the event of a fall.
- Do not use the wheelchair on slopes > 10°. The Dynamic safe slope is dependent on the chair configuration, the user's abilities and the style of riding. As the user's abilities and style of riding cannot be pre-determined then the max safe slope cannot be determined. Therefore this must be determined by the user with the assistance of an attendant to prevent tipping. It is strongly recommended that inexperienced users have anti-tip tubes fitted.
- It is possible that potholes or uneven ground could cause this wheelchair to tip over, especially when riding uphill or downhill.
- Do not use your wheelchair on muddy or icy ground. Do not use your wheelchair where pedestrians are not allowed.
- To avoid hand injuries do not grab in between the spokes or between the rear wheel and wheel lock when driving the wheelchair.
- In particular when using lightweight metal handrims, fingers will easily become hot when braking from a high speed or on long inclines.
- Riding sideways on to a slope or incline, increases the possibility of the wheelchair tipping over sideways.
- Only attempt stairs with the help of an attendant. There is equipment available to help you, e.g. climbing ramps or lifts, please use them. If there is no such equipment available, then the wheelchair must be tipped and pushed, never carried, over the steps (2 helpers). We recommend that users over 100 kg in weight do not use this stairway manoeuvre!
- In general, any anti-tip tubes fitted must be set beforehand, so that they cannot touch the steps, as otherwise this could lead to a serious tumble. Afterwards the anti-tip tubes must be set back to their correct position.
- Make sure that the attendant only holds the wheelchair using securely mounted parts (e.g. not on the footrests or the sideguards).
- This wheelchair is not designed to be used whilst weight training and/or when using dumbbells. Only use equipment specifically designed for this purpose.
- Do not lift or carry the wheelchair by the backtubes or the pushhandles.
- When using the lifting ramp make sure that the anti-tip tubes fitted are positioned outside the danger area.
- Secure your wheelchair on uneven ground or when transferring, e.g. into a car, by using the brakes.

- If and whenever possible, during a journey in a specially fitted vehicle for disabled people, vehicle occupants should use the seats in the vehicle and the appropriate restraint system. This is the only way to ensure that occupants will have the maximum protection if there is an accident. When using safety elements offered by SUNRISE MEDICAL and using a specially designed safety system, lightweight wheelchairs can be used as a seat when being transported in a specially fitted vehicle. (See the Chapter on "Transportation").
- Depending on the diameter and setting of the castors, as well as the centre of gravity setting of the wheelchair, the castors may begin to wobble at high speeds. This can lead to the castors being blocked and the wheelchair may tip over. Therefore, please make sure that the castors are adjusted correctly (see the Chapter "Castors"). In particular, do not travel on an incline without brakes, travel at a reduced speed. We recommend that novice users use anti-tip tubes.
- Anti-tip tubes should prevent the chair tipping over backwards unintentionally. Under no circumstances should they take the place of transit wheels, and be used to transport a person in a wheelchair with the rear wheels removed.
- When reaching for objects (which are in front of, to the side or behind the wheelchair) make sure that you do not lean too far out of the wheelchair, as if you change the centre of gravity there is a risk of tipping or rolling over. The hanging of additional load (back pack or similar items) onto your chair backposts can affect the rearward stability of your chair, especially when used in combination with recliner backrests. This can cause the chair to tip backwards causing injury.
- Adjustments to your wheelchair, particularly to safety-related components must be carried out by an approved dealer. This applies to adjustments to wheel locks, anti-tip tubes, backrest angle and height, lower leg length, COG, lap belt, rear wheel toe-in and camber, seat height as well as toe-in and directional stability of the castor fork.
- When using mobility accessories fitted to the wheelchair such as handbikes, electronic power assist, etc, make sure that your wheelchair is fitted with the appropriate castor forks, approved for this use. Please contact your dealer if you have any questions.
- Do not fit any unauthorized electronic equipment, powered or mechanically operated mobility drives, hand-bike or any other device that changes the intended use or the structure of the wheelchair.
- Any combination with other medical devices requires the approval of Sunrise Medical.
- Please note that in certain configurations the wheelchair may exceed a width of 700 mm. If this is the case, under certain circumstances, it may not be possible to use some or all of the available escape routes from a building. It may be more difficult or impossible to travel on public transport.
- Further information and safety instructions can be provided by your authorised dealer.
- For thigh amputees you must use anti-tip tubes.
- Before setting off, check that your tyre pressure is correct. For rear wheels it should be at least 3.5 bar (350 kPa). The max. pressure is indicated on the tyre. The knee-lever brakes will only work if there is sufficient tyre pressure and if the correct setting has been made (see the Chapter on "Brakes").
- If the seat and back sling are damaged, you must replace them immediately.
- Be careful with fire, in particular with burning cigarettes. Seat and back slings can be set alight.
- If the wheelchair is subject to direct sunlight for a long period of time, then parts of the wheelchair (e.g. frame, legrests, brakes and sideguard) may become hot (>41°C).
- Always make sure that the quick-release axles on the rear wheels are set properly and lock in. If the button on the quick-release axle is not pressed in, the rear wheel cannot be removed.

WARNING!

- The effect of the knee-lever brake as well as the general driving characteristics are dependent on tyre pressure. The wheelchair is significantly lighter and easier to manoeuvre when the rear wheels are pumped up correctly and both wheels have the same pressure.
- Make sure that your tyres have sufficient tread! Please note that you are subject to any and all traffic laws when driving in public traffic.
- Always be careful with your fingers when working or adjusting the wheelchair!

WARNING!

CHOKING HAZARD – This mobility aid uses small parts which under certain circumstances may present a choking hazard to small children.

The wheelchairs shown and described in this user guide may not correspond in every detail exactly to your own model. However, all instructions are completely relevant, regardless of possible detail differences.

The manufacturer reserves the right to alter without notice any weights, measurements or other technical data shown in this manual. All figures, measurements and capacities shown in this manual are approximate and do not constitute specifications.

2.0 Warranty

THIS GUARANTEE DOES NOT AFFECT YOUR LEGAL RIGHTS IN ANY WAY.

Sunrise Medical* provides a guarantee, as set out in the warranty conditions, for wheelchairs to its customers covering the following.

Warranty conditions:

1. Should a part or parts of the wheelchair require repair or replacement as a result of a manufacturing and/or material fault within 24 months or for frame and cross-braces within 5 years after delivery to the customer, then the affected part or parts will be repaired or replaced free of charge. The warranty will only cover manufacturing defects
2. To enforce the warranty, please contact Sunrise Medical Customer Service with the exact details of the nature of the difficulty. Should you be using the wheelchair outside the area covered by the Sunrise Medical customer service agent, repairs or replacement will be carried out by another agency as designated by the manufacturer. The wheelchair must be repaired by a Sunrise Medical designated Customer Service agent, (dealer).
3. For parts, which have been repaired or exchanged within the scope of this warranty, we provide a warranty in accordance with these warranty conditions for the remaining warranty period for the wheelchair in accordance with point 1).
4. For original spare parts which have been fitted at the customer's expense, these will have a 12 months guarantee, (following the fitting), in accordance with these warranty conditions.
5. Claims from this warranty shall not arise, if a repair or replacement of a wheelchair or a part is required for the following reasons:
 - a. Normal wear and tear, which include batteries, armrest pads, upholstery, tyres, brakes shoes, etc.
 - b. Any overloading of the product, please check the EC label for maximum user weight.
 - c. The product or part has not been maintained or serviced in accordance with the manufacturer's recommendations as shown in the user instructions and/or the service instructions.
 - d. Accessories have been used which are not specified as original accessories.
 - e. The wheelchair or part having been damaged by neglect, accident or improper use.
 - f. Changes/modifications have been made to the wheelchair or parts, which deviate from the manufacturer's specifications.
 - g. Repairs have been carried out, before our Customer Service has been informed of the circumstances.
6. This guarantee is subject to the law of the country in which the product was purchased from Sunrise Medical*

* Means the Sunrise Medical facility from which the product was purchased.

Additional Notes For Australia Only:

- i. For goods provided by Sunrise medical Pty Ltd in Australia, our goods come with a guarantee by Sunrise Medical that cannot be excluded under Australian Consumer Law.
- ii. You are entitled to a replacement or refund for a major failure and for compensation for any foreseeable loss or damage.
- iii. You are also entitled to have the goods repaired or replaced if the goods fail to be of acceptable quality and the failure does not amount to a major failure.
- iv. The benefits to you given by this warranty are in addition to your other rights and remedies under a law in relation to the goods to which the warranty relates.

3.0 Transportability

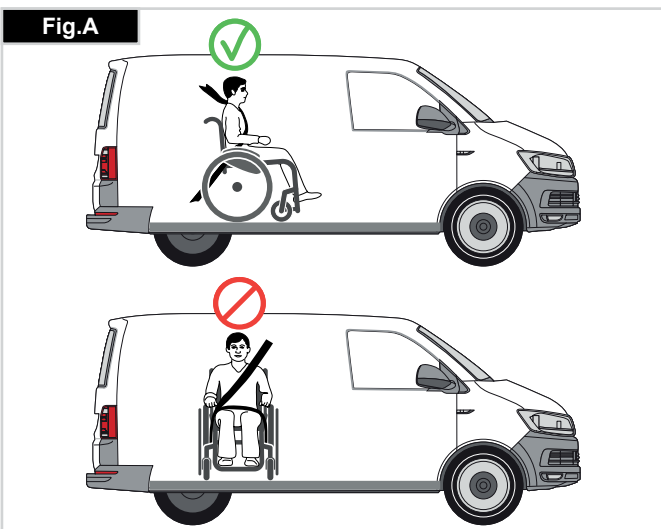
⚠ DANGER!

There is a risk of serious injury or death if this advice is ignored!

Transportation of your wheelchair within a vehicle:

A wheelchair secured in a vehicle will not provide the equivalent level of safety and security as a vehicle seating system. It is always recommended that the user transfers to the vehicle seating. It is recognised that this is not always practical for the user to be transferred and in these circumstances, where the user must be transported whilst in the wheelchair, the following advice must be followed:

1. Confirm that the vehicle is suitably equipped to transport a passenger in a wheelchair, and ensure the method of access/ egress is suitable for your wheelchair type. The vehicle should have the floor strength to take the combined weight of the user, the wheel chair and accessories.
2. Sufficient space should be available around the wheelchair to enable clear access to attach, tighten and release the wheelchair and occupant tie down restraints and safety belts.
3. The occupied wheelchair must be located in a forward facing position and secured by the wheelchair tie down and occupant restraint straps (WTORS tie downs meeting the requirements of ISO 10542 or SAE J2249) in accordance with the WTORS manufacturer's instructions.
4. The wheelchair's use in other positions within a vehicle has not been tested e.g. transportation in a side facing position must not be carried out under any circumstances (Fig. A).
5. The wheelchair should be secured by a Tie Down Restraint system, conforming to ISO 10542 or SAE J2249 with non-adjustable front straps and adjustable rear straps, which typically use Karabiner clips/S hooks and tongue and buckle fittings. These restraints generally comprise of 4 individual straps that are attached to each corner of the wheelchair.
6. The tie-down restraints should be fitted to the main frame of the wheelchair as indicated in the diagram on the following page, and not to any attachments or accessories, e.g. not around the spokes of wheels, brakes or footrests.



7. The tie-down restraints should be attached as close as possible at an angle of 45 degrees and tightened securely in accordance with the manufacturer's instructions.

8. Alterations or substitutions must not be made to the wheelchair securement points or to structural and frame or components without consulting the manufacturer. Failure to do so will invalidate the ability of a Sunrise Medical wheelchair to be transported within a vehicle.

9. Both pelvic and upper torso restraint belts must be used to restrain the occupant to reduce the possibility of head and chest impacts with the vehicle components and serious risk of injury to the user and other vehicle occupants. (Fig B) The upper torso restraint belt should be mounted to the vehicle "B" pillar - failure to do so will increase the risk of serious abdominal injuries to the user.

10. A head restraint suitable for transportation (see label on headrest) must be fitted and suitably positioned at all times during transportation.

11. Postural supports (lap straps, lap belts) should not be used or relied on for occupant restraint in a moving vehicle unless they are labelled as meeting the requirements specified in ISO 7176-19 or SAE J2249.

12. The safety of the user during transportation depends upon the diligence of the person securing the tie-down restraints and they should have received appropriate instructions and/or training in their use.

13. Wherever possible remove and stow safely away from the wheelchair all auxiliary equipment, for example: Crutches, Loose cushions and Tray Tables.

14. Articulating/elevating leg rest should not be used in the elevated position when the wheelchair and user are being transported and the wheelchair is restrained using Wheelchair Transport and Occupant Restraints.

15. Reclining backrests should be returned to an upright position.

16. The manual brakes must be firmly applied.

17. Restraints should be mounted to the vehicle "B" pillar and should not be held away from the body by wheelchair components such as armrest or wheels.



Transportability

Occupant Restraints Instruction:

1. The pelvic restraint belt must be worn low across the front of the pelvis so that the angle of the pelvic belt is within the preferred zone of 30 to 75 degrees to the horizontal. A steeper (greater) angle within the preferred zone is desirable i.e. closer to, but never exceeding 75degrees. (Fig C)

2. The upper torso restraint belt must fit over the shoulder and across the chest as illustrated Fig d and e
Restraint belts must be adjusted as tightly as possible consistent with user comfort.

Restraint belt webbing must not be twisted when in use.
The upper torso restraint belt must fit over the shoulder and across the shoulder as illustrated in Fig D and E.

3. The attachment points to the chair are the inner front side frame just above the castor, and the rear side frame. The straps are fitted around the side frames at the intersection of the horizontal and vertical frame tubes. (See Figs G-I).

4. The tie down symbol (Fig F) on the wheelchair frame indicates the position of the wheelchair restraint straps. The straps are then tensioned after the front straps have been fitted to secure the wheelchair.

Positioning of wheelchair tie down restraints on wheelchair:

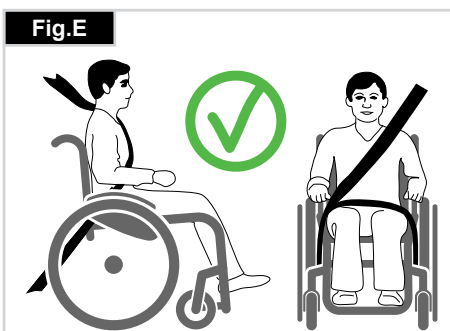
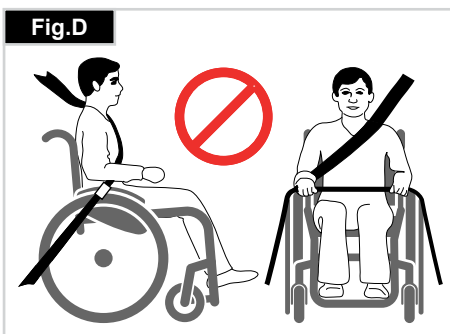
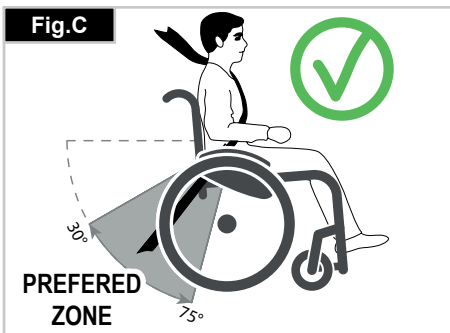
1. Location of the front and rear tie down labels (Fig.G - I).

Minimum User Weight 22 kg:

When the user being transported is a child, less than 22Kg mass and the vehicle involved has less than eight (8) seated passengers it is recommended that they be transferred to an UNCE Regulation 44 compliant child restraint system (CRS). This type of restraint system provides a more effective occupant restraint system than the conventional 3 point occupant restraint system and some CRS systems also include additional postural supports to assist in maintaining the position of the child when seated.

Parents or care providers may consider the option, in some circumstances, for their child is to remain in their wheelchair whilst in transport due to the level of posture control and comfort provided by the set up in the wheelchair.

We would recommend in such circumstances that a risk assessment be carried out by your healthcare professional and relevant competent persons.



4.0 Handling

Folding up (Fig.4.0)

First remove the seat cushion from the wheelchair and flip up the (platform) footplate or the individual footplates. Take hold of the sling from underneath in the middle and pull upwards, until the folding bracket clicks into place, (Fig.4.0-4.1). To fold your wheelchair until it is as small as possible, e.g., to put into a car, you can remove the footrests (depending on the model). For this purpose, open the latch from the outside and swing the footrest to the side, (Fig.4.2-4.3). Then the footrest only has to be drawn out of the frame tubing.

Transportation (Fig.4.1).

To move the mobility aid, the folded wheelchair should be lifted by holding the front part of the cross-brace and the push handles.

Unfolding

Push the release lever of the folding bracket (Fig. 4.4) downwards and push both frame halves apart. Then press on the seat tube (Fig.4.5). Your wheelchair is then unfolded. Now snap the seat tubing into position in the seat saddle. This can be facilitated by slightly tipping your wheelchair to the side, as this means that the weight is taken off one of the rear wheels. Be careful not to get your fingers caught in the cross-tube assembly. Fit the seat cushion.

WARNING!

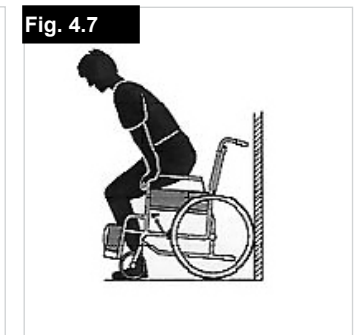
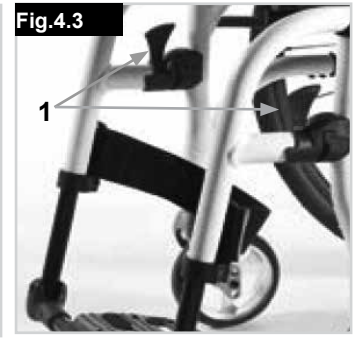
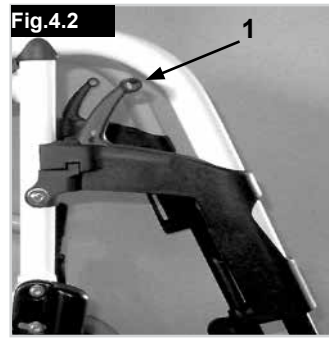
Risk of finger entrapment.

Getting into your wheelchair on your own

- Push the wheelchair to a wall or a solid piece of furniture;
- Apply the brakes;
- The user can lower themselves into the wheelchair;
- Then position the feet in front of the heel straps (Fig. 4.6).

Getting out of your wheelchair on your own

- Apply the brakes;
- With one hand on the wheel or sideguard, the person should lean forwards slightly, to transfer the body weight to the front edge of the seat and then push up to an upright position with both feet firmly on the floor and one foot behind the other (Fig. 4.7).



5.0 Transporting the Wheelchair

When transporting the unoccupied wheelchair in a vehicle, it should be tied down or strapped in.

Quick-Release Axles for Rear Wheels (Fig.5.0)

Removing the rear wheels will keep the wheelchair as compact as possible.

The rear wheels are equipped with quick-release axles. The wheels can thus be installed or removed without using tools. To remove a wheel, simply depress the quick-release button on the axle (1) and pull it out.

CAUTION!

Hold the quick-release button on the axle depressed when inserting the axle into the frame to mount the rear wheels. Release the button to lock the wheel in place. The quick-release button should snap back to its original position.



6.0 Options

Brakes

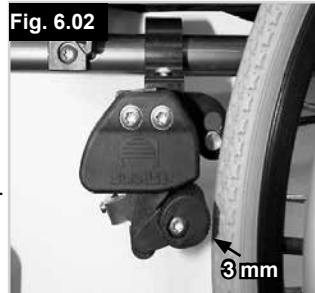
Wheel Locks (Fig.6.01-6.02)
Your wheelchair is equipped with two wheel locks. They are applied directly against the tyres. To engage, press both brake levers forward against the stops. To release the locks, pull the levers back to their original positions.



⚠ WARNING!

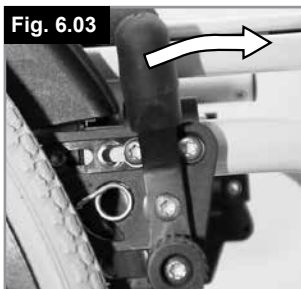
Braking power will decrease with:

- Incorrect fitting and adjustment of the brakes.
- Tyre pressure too low.
- Worn tyre tread
- Wet tyres
- Improperly adjusted wheel locks.
- The wheel locks have not been designed to be used as brakes for a moving wheelchair.
- The wheel locks should therefore never be used to brake a moving wheelchair.
- Always use the hand-rims for braking.

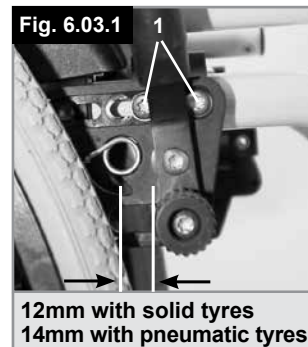


Make sure that the gap between the tyres and wheel locks complies with given specifications. To re-adjust, loosen the screw and set the appropriate gap. Then re-tighten the screw (Fig. 6.01, 6.02).

After each adjustment of the rear wheels, check the wheel lock gap and re-adjust if necessary.



Standard brake



**12mm with solid tyres
14mm with pneumatic tyres**

Standard brake

Drum Brakes

Drum brakes permit safe and convenient braking for an attendant. They can also be set with the aid of a locking lever (1) to prevent rolling.

The lever must snap audibly into place.

Drum brakes are not influenced by air pressure inside the tyres (Fig.6.04).

⚠ WARNING!

Drum brakes must only be adjusted by authorised dealers
Always operate the two brakes simultaneously to guarantee the control of the driving direction!
Drum brakes can only be used as a dynamic brake to stop the wheelchair while driving.
Always engage the wheel locks to secure the wheelchair during a short or long stop, or for transfer.



Brake Lever Extension

The longer lever helps to minimise the effort needed to set the wheel locks.

The brake lever extension is screwed to the brakes. By raising this, it can be flipped forward (Fig. 6.05).



⚠ CAUTION !

- Mounting the wheel lock too close towards the wheel will result in a higher effort to operate. This might cause the brake lever extension to break!
- Leaning onto the brake lever extension while transferring will cause the lever to break! Splashing water from tyres might cause the wheel lock to malfunction.
- Incorrect mounting of the wheel lock will result in a higher effort to operate.
- This might cause the wheel lock extension lever to break.

Compact wheel lock (Fig. 6.06)

Compact wheel locks are underneath the seat sling and are operated by pulling the wheel locks towards the rear, in the direction of the tyre. For the wheel locks to operate correctly, they must be pulled fully against the stops.



⚠ CAUTION!

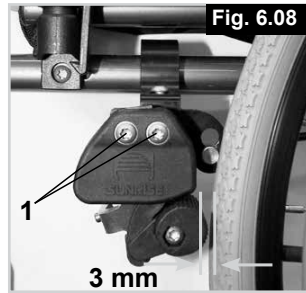
- Incorrect mounting of the wheel lock will result in a higher effort to operate. This might cause the wheel lock lever extension to break!
- The mounting bolts of the brake must not be loosened and/or re-tightened.

One Hand Wheel Locks

Your wheelchair is equipped with two sets of wheel locks, that operate from the left or the right side. They are applied directly against the tires. To engage, press the wheel-lock lever forward against the stop (Fig.6.07). To release the wheel, pull the lever back to the original position.

- Braking power will decrease with:
- Worn tire tread
- Tire pressure that is too low
- Wet tires
- Improperly adjusted wheel locks.

The wheel locks have not been designed to be used as brakes for a moving wheelchair. The wheel locks should therefore never be used to brake a moving wheelchair. Always use the handrims for braking. Make sure that the interval between the tires and wheel locks complies with given specifications. To readjust, loosen screws, (1), and set the appropriate interval, (Fig.6.08). Tighten screw (see the page on torque).



⚠ WARNING!

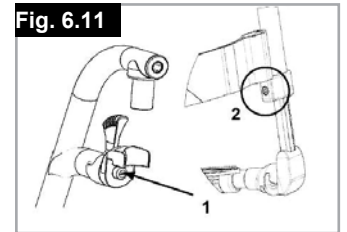
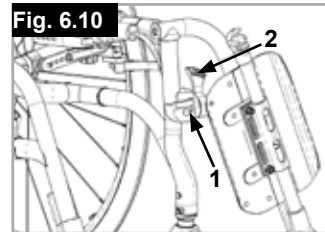
The footrests are not designed to be used to lift or carry the wheelchairs with an occupant.

Hanger play adjustment

In case of play the hanger (Fig. 6.11) can be adjusted in the field. The hanger pin (1) is tapered and the play can be reduced when the pin is unscrewed slightly.

Take the hanger off the chair in using the release mechanism. Use an screw driver and turn the pin (1) in the front carefully to the left. Then test the hanger on the chair. If the hanger mechanism is not working/catching anymore, please undo the task slightly.

If the play is still too large and the performance not accepted, please repeat the task.



Step Tubes

Step tubes are used by attendants to push a wheelchair over an obstacle. Simply step on the tube to push a wheelchair, for example, over a kerb or step, (Fig.6.09).

⚠ CAUTION !

Sunrise Medical strongly recommends the use of a step tube on any model where attendant use is the predominant intended use. Damage to the backposts may occur if you constantly use the backpost without a step tube, as a lever to pull back on to tip the wheelchair.



⚠ WARNING!

Make sure that the step tube cannot hit the ground when driving over kerbs, edges, stairs or escalators.

Footrests

Various footboards are available on the Life. These can be flipped up to make it easier to transfer to/from the chair. They are described individually.

Footrest and swing away latch

When fitting the footrests these are fitted in the swung-away position (Fig. 6.10). Then simply turn them inwards until the interlock engages (1). To remove the footrests, use the lever (2) and swing the footrest outwards and lift off. Check that the footrest is correctly engaged.

The footrest will be limited by the hanger stop (Fig.6.10) in a 90° position. This ensures that the break will not be inadvertently released when the hanger is swung out.

Lower leg lengths

By undoing the clamp screw, 2 (Fig. 6.12), you can adjust the lower leg length. Loosen the clamp screw, adjust the tube with the footboard to the desired position.

Tighten clamp screws again (see the page on torque). Ensure that the plastic push joint is located under the clamp screw in the correct position.

⚠ WARNING!

Do not stand on the footplate during transfer. The chair is likely to tip to the front when standing on the footplate. Always place your feet securely on the ground for transferring into or out of the chair.

Platform Footplates

The footboard can be flipped up to make it easier to transfer to and from the chair.

The footboard can also be tilted to six different angles relative to a level surface.

Tighten screw (1) firmly on the outer side.

By removing the clips (2) the footplate can be adjusted to three different positions toward both the front and rear. For this purpose, the footplate must be flipped up, (Fig. 6.13).

When finished, make sure that all screws have been properly tightened (see the page on torque).

A minimum interval of 25mm from the ground should always be maintained.

Width Adjustment of the footrests

If the footrest width needs to be adjusted, please undo the screw (1), set the desired width, by positioning 1, 2 or 3 spacers (2) from outer to the inner side and then refit the screws, (Fig. 6.14).

Lightweight footrest

The footrest angle can be adjusted by loosening the screws (2). Side protection panels can be fitted to the footrest using the mounting holes (3). These prevent the feet slipping off accidentally, (Fig. 6.15). Make sure that after any adjustment work, all screws are tightened correctly (see the page on torque).

Width adjustment

To adjust the width of the footrest please open the screw (2). Then you can slide in and out the tubes in the holder to adjust the width of the footboard (Fig. 6.15). Please make sure that the screws are tightened with the correct torque.

Footboard lock

The footplate locks in automatically when flipped down. To flip it up the release knob (1) must be pulled. To keep the unlocked position turn knob 1 when it is pulled (Fig. 6.16).

WARNING!

Always make sure to unlock the system to get full functionality!

Elevating legrest - standard

To flip up:

Pull the footrest upwards and adjust to the desired height. When doing this, the footrest clicks audibly into place (Fig. 6.17).

To lower:

Briefly take the load off the footrest by lifting the lower leg and then push the release lever.

In this way you can swing the footrest downwards. As soon as you let go of the lever, the footrest will click back into place.

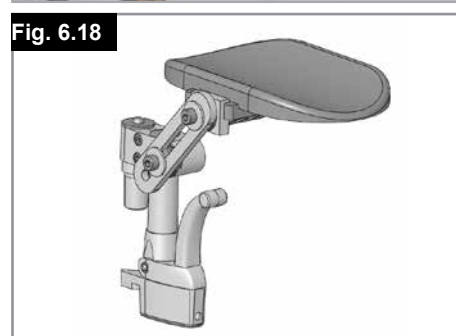
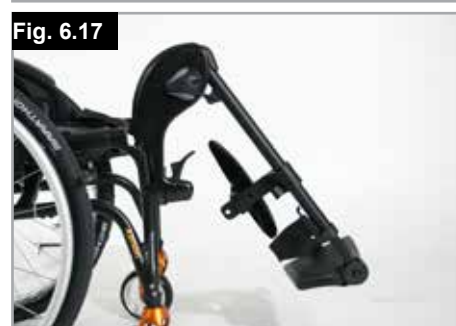
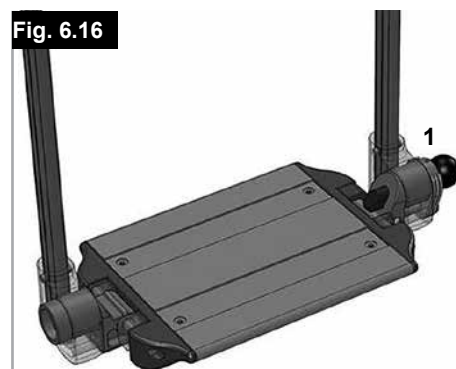
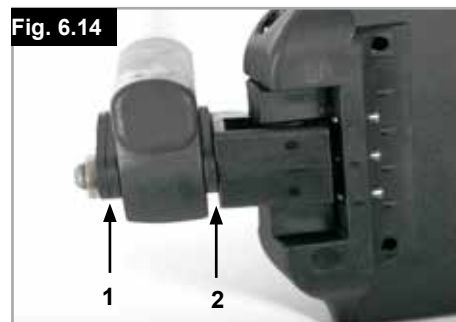
WARNING!

- There is a risk of trapping fingers when moving the footrest up or down.
- Do not put your fingers in the adjusting mechanism between the frame and the moving parts of the footrest.
- The footrests are not designed to be used to lift or carry the wheelchairs with an occupant.
- When getting into or out of the chair, never stand on the footboards.

AMPUTEE SUPPORT

(Fig. 6.18).

The Amputee Support can be adjusted in every direction as required.



Castor

Castor, Castor adapter, Castor fork (Fig.6.19)

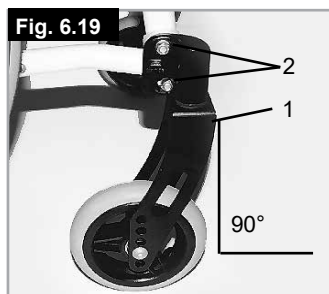
From time to time the wheelchair may veer slightly to the right or left, or the castors may flutter.

This may be caused by the following:

The forward or reverse wheel motion has not been set properly.
The castor angle has not been adjusted properly.
Castor and/or rear wheel air pressure is incorrect; wheels do not turn smoothly.

The optimum adjustment of the castors is required so that the wheelchair runs in a straight line. The castors should always be adjusted by an authorised dealer.

The castor plates must be re-adjusted, and the wheel locks must be checked any time the rear wheel position has been altered. Check the setting of the castor adapter (1) by placing a set-square next to it and looking at it from the front. Make sure that the adapter is at right angles to the floor. By undoing the screws (2) and moving the adapter, you can then re-adjust the wheels to their optimum position, by adjusting the corresponding teeth segments. Make sure that after any adjustment work, all screws are tightened correctly (see the page on torque).



Camber

Camber (Fig.6.21-6.22)

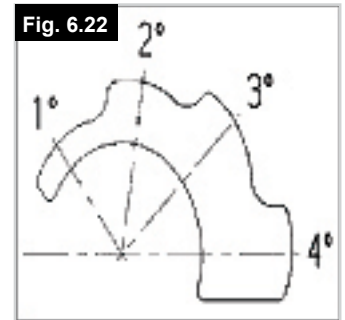
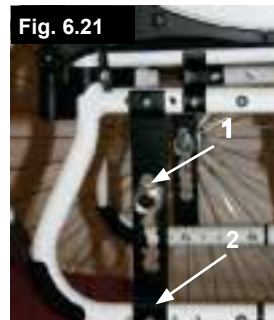
The camber of the chair can be adjusted from 1° to 4°. Doing this gives increased stability against the wheelchair falling to the side, and will also improve the wheelchair's manoeuvrability.

Loosen the screws on the perforated plate (1). Then adjust the adaptor (2) to the desired angle setting. Then tighten the screws again (see the page on torque).

Setting the wheel camber increases the overall width of the wheelchair (each degree adds on approx. 10 mm).

⚠ CAUTION!

If necessary, the brakes and castors must be re-adjusted.



Axle plate (COG)

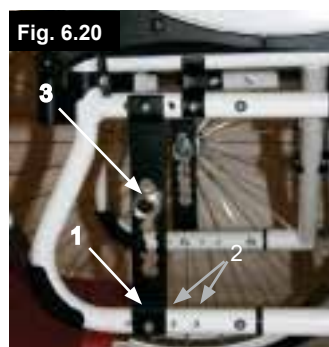
Axle plate (Fig.6.20)

The position of the centre of gravity in relation to the rear wheel is an important factor for easy and comfortable driving. Several positions are possible. If you move the perforated plate to the rear (1) in the frame holes (2), the chair is in a safe position, but at the same time is not so manoeuvrable, as it is when the perforated plate is positioned further forward.

By moving the axle adapter (3) in the perforated plate, the seat height of the chair can be adjusted. Make sure that after any adjustment work, all screws are tightened correctly (see the page on torque).

⚠ CAUTION!

If necessary, the brakes and castors must be re-adjusted.



Backrest

Adjustable back sling, (Fig.6.23)

The adjustable back sling can be adjusted for tension by parting the Velcro® straps and moving them through the buckles (1). When the desired tension is achieved, press the Velcro back together.

Repeat the process for each strap.

The back sling upholstery can be accessed from the inside via an opening and can be padded to suit individual tastes.

WARNING!

Ensure that each strap is firmly secured before using the wheelchair.



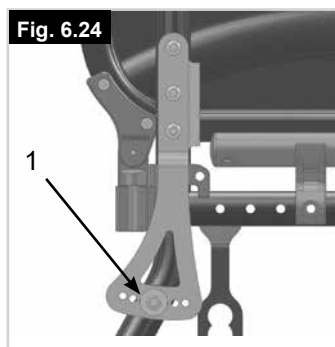
Angle-adjustable fixed back, (Fig.6.24)

The angle-adjustable backrest can be set to several positions (12° forwards maximum, then backwards in 4° steps).

By loosening and removing the screw (1) the angle can be adjusted in stages of 4°

CAUTION!

For your own safety, adjustment work should always be carried out by your dealer.



Folding backrest

To make it easier to transport the wheelchair, the top half of the backrest can be folded down.

To do this, press both levers (1) and fold the backrest down.

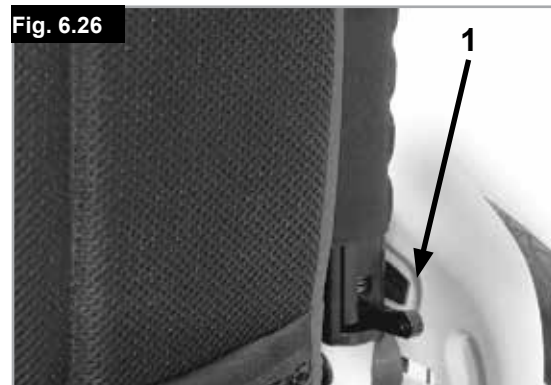
When folding the backrest back up, please make sure that both sides are firmly interlocked (Fig. 6.25/6.26).

WARNING!

- Risk of injury: do not get your fingers caught in the folding back mechanism.

CAUTION!

Please take into account the altered centre of gravity when setting the angle of the backrest, tension of the backrest belts or backrest height. This may lead to an unstable wheelchair likely to tip and may require the use of anti-tip tubes.



Half Folding Back

Unfolding the backrest:

To put the backrest in the upright position, push the handles upwards and forwards until they lock in, (Fig.6.27).

⚠ WARNING!

Keep fingers and other items away from the folding mechanism when the backrest is being folded to prevent injury or damage to property.



Folding the backrest:

The backrest can be folded to make storage of the wheelchair easier, (Fig.6.28).

⚠ CAUTION!

Do not operate under load as this may cause lever to break.



To fold the backrest, stand behind the wheelchair, press the two small levers (Fig. 6.26) positioned on each side of the backrest (just above the armrests). Fold the backrest down.

Stabilising bar

Folding stabilising bar

This bar is used to stabilise the backrest.

To be able to fold the wheelchair, the release lever must be pushed inwards (Fig.6.29) or released and the stabilising must be flipped downwards. When unfolding the wheelchair, please make sure that the stabilising bar is locked into position.



Headrests

Headrests

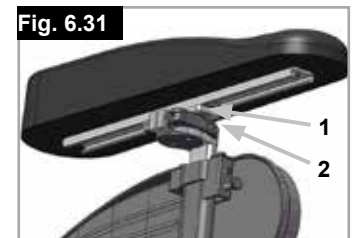
The headrest (Fig. 6.30) can be raised and moved horizontally both forwards and backwards. To do this, loosen the screw (1,2 or 3). Now you can adjust to the desired position. Tighten screws again (see the page on torque).



Options – Hemiplegic armrest

HEMIPLEGIC ARMRESTS

The hemiplegic armrest can be adjusted both in length and angle. You can adjust the length by pushing the armrest after having loosened the 2 rotary screws (1). To adjust the angle, open the release lever (2) and rotate the armrest to the desired position, then tighten it again (Fig. 6.31).



Sideguards

Desk Sideguard, Flip-Up, Detachable with Short or Long Armrests, Height-Adjustable (Fig.6.32-6.33)

Adjust the height of the armrest as follows: Slide the knob (1) forward until it stops. Adjust the armrest (2) to the desired height. Slide the knob toward the back and push the armrest (2) down until you can hear it click into place. Always make sure that the sideguards have locked into place properly. To flip the armrest up, lift the handle (3) to unlock the sideguard.

WARNING!

Neither the sideguards nor the armrests are to be used for lifting or carrying the wheelchair.



Tool Height Adjustable Armrest

Installation: Slide the arm post into the receiver, located on the wheelchair frame, until it stops

Height adjustment:

Slide the arm rest post out of the receiver.

Adjust the position of the height adjustment bracket (1) by removing the screw (2) and moving it to the desired position. Re-fit the screw and tighten it.

Slide the arm rest post back into the receiver, (Fig.6.34).

Armpad Position:

The armpad position can be adjusted by releasing the screws (3), then moving the arm pad to the desired position. Re-tighten the screws, (Fig.6.25).

Adjusting Armrest Receiver

The tightness of the armrest receiver can be adjusted (tightened /loosened) by means of the 2 screws (1) - (Fig.6.35).

Sideguard With Clothes Protector (Fig.6.36)

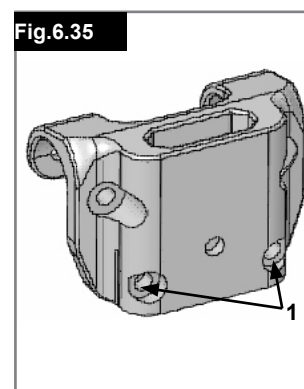
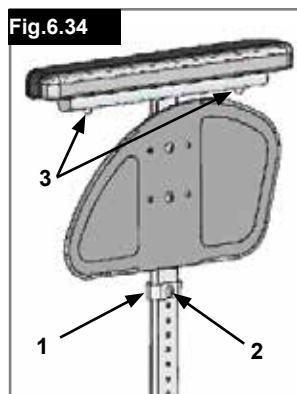
The clothes protector prevents clothes getting dirty from spray water. You can set the position in relation to the rear wheel by moving the sideguard.

To do this, remove the fixing screws (1 and 2).

After setting to the desired position, re-tighten the screws (see the page on torque).

WARNING!

Neither the sideguards nor the armrests are to be used for lifting or carrying the wheelchair



Single Post Height-Adjustable Armrests, (Fig.6.37-6.40).

WARNING!

Neither the sideguards nor the armrests are to be used for lifting or carrying the wheelchair.

1. Fitting

- Push the outer armrest rails down into the receiver which is mounted on the wheelchair frame.
- The armrest will automatically lock into place.

2. Height Adjustment

- Turn the release lever for height adjustment (2) to the second stop point.
- Push the armpad up or down to reach the desired height.
- Set the lever back to the interlocked position against the armrest rails.
- Push the armpad (4) until the rails click into place securely.

3. Remove The Armrest

- Operate the lever 3 and lift the whole arm.

4. Insert Armrest

- Put the armrest back in the receiver, until the arm clicks into place.

Mounting Components For The Armrest Receiver

Adjusting the armrest receiver

To tighten or loosen the fit of the outer armrest rails in the receiver:

- Loosen the four set screws for the receiver (D) on the sides of the receiver.
 - Leave the armrest in the receiver (E) and push the receiver together, until the desired adjustment is achieved.
 - Tighten the four screws (D). (144 in-lbs, 16.3 Nm)
- #### Position Adjustment
- Loosen the two clamp screws (10) until the clamp is loose.
 - Push the armrest receiver to the desired position.
 - Tighten.

1. Outer armrest rails

2. Height adjustment of the locking lever

3. Locking lever

4. Armrest Pad

5. Transfer bar

6. Sideguard

7. Receiver

8. Adjustment clamp

9. Parts to adjust the receiver

10. Clamp screws

Fig.6.37

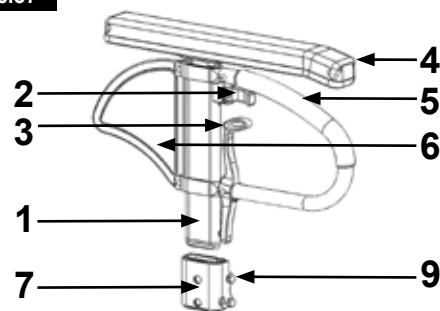


Fig.6.38

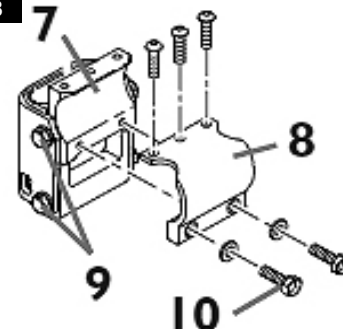


Fig.6.39

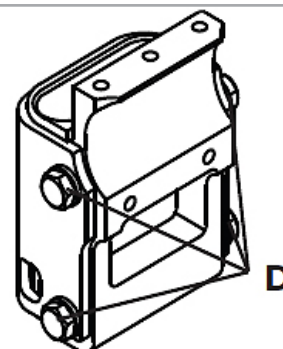
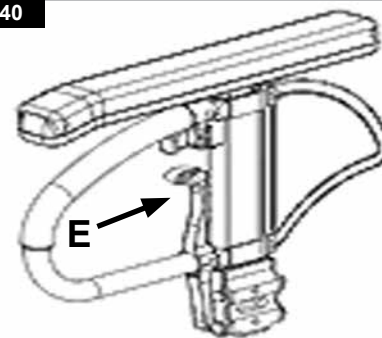


Fig.6.40



Options – One Hand Operation

One Hand Operation

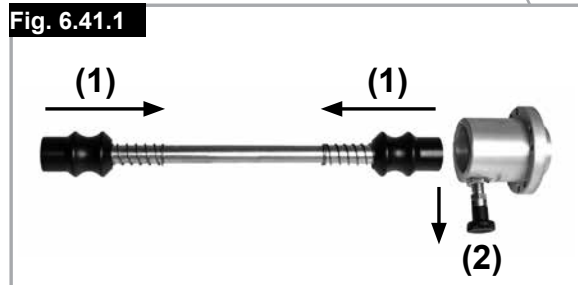
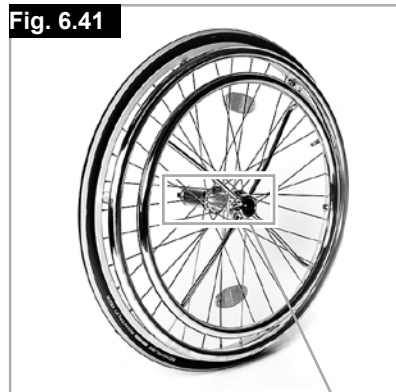
(Fig. 6.41- 6.41.1)

To propel the chair straight forward both handrims must be used.

To fold the wheelchair disconnect the telescopic bar by pushing the release inward (1). To take off the wheels pull release knob (2).

⚠ CAUTION!

Make always sure that the connections are set properly to avoid injuries.



Push Handles

Height-Adjustable Push Handles (Fig.6.43)

These handles are secured with pins to prevent them from sliding out unintentionally. Opening the quickrelease lever makes it possible to adjust the height of the push handles to meet your individual needs. As you move the lever, you will hear a locking mechanism; you may now easily position the push handle as desired. The nut on the tension lever determines how tightly the push handles are clamped into place. If the nut is loose after adjusting the tension lever, the push handle will also be too loose. Turn the push handle from side to side before use to make sure that it is clamped securely enough into place. After adjusting the handle height, always clamp the tension lever securely into place. If the lever is not secure, injuries could result when ascending stairs.



Tray

Tray

(Fig. 6.42)

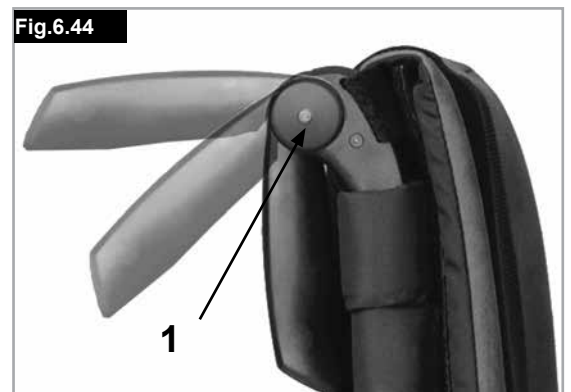
The tray table serves as a surface area. Your dealer must carry out a one-off adjustment to the therapy tray so that it matches the seat width. When carrying out a function test, the user must be sitting in the wheelchair.



Push handle

Fold-Down Push Handles (Fig.6.44)

If the push handles are not in use, they can be folded down by depressing the button, (1). When they are needed again, simply flip them back up until they click into place.



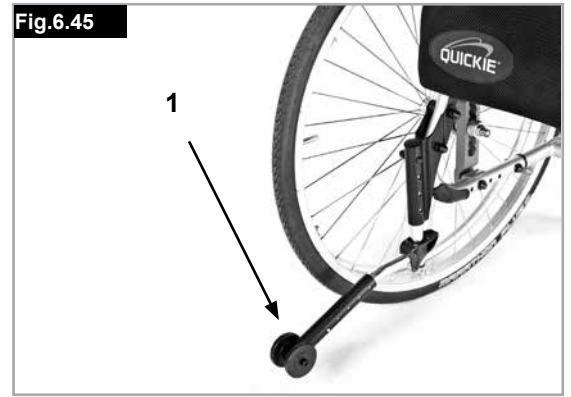
Anti-tip tubes

Anti-Tip Tubes (Fig.6.45)

The anti-tip tubes (1) provide additional safety for inexperienced users when they are still learning how to operate their wheelchairs. Anti-tip tubes (1) prevent a wheelchair from tipping over backwards. The anti-tip tube (1) can be swung downwards by pushing it or rotated forwards. There should be a gap of 30 to 50mm to the floor. To go up or down a step (e.g. kerb) the anti-tip tubes must be swung forwards, to prevent them from touching the ground.

WARNING!

Incorrect setup of the anti-tips will increase the risk of a rearwards tip.



Crutch holder

Crutch Holder (Fig.6.46)

This device permits crutches to be transported directly on the wheelchair. It has a Velcro loop to fasten crutches or other aids.

CAUTION!

Never try to use / remove the crutches or other aids while moving.



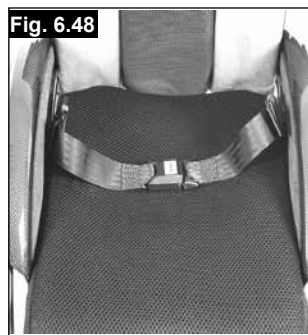
Pelvic Restraint Belt

DANGER!



- Before using your wheelchair ensure the lap belt is worn.
- The lap belt must be checked on a daily basis to ensure it is free from any obstruction or adverse wear.
- Always make sure that the lap strap is correctly secured and adjusted prior to use. If the strap is too loose it could cause the user to slip down and risk suffocation or cause serious injury.

The lap belt is fitted to the wheelchair as shown in the illustrations. The seat belt comprises 2 halves. They are fitted using the existing seat stay retaining bolt fitted through the eyelet on the belt. The belt is routed under the rear of the side panel. (Fig. 6.47)

Adjust the belt position so buckles are in the centre of the seat. (Fig. 6.48)

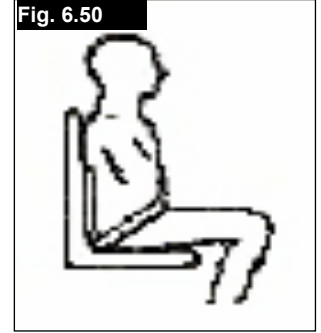


Adjust lap belt to suit the user's needs as follows:

To reduce the belt length	To increase the belt length
	
<p>Feed free belt back through male buckle and slide adjusters. Ensure belt is not looped at male buckle.</p>	<p>Feed free belt through slide adjusters and male buckle to provide more belt length.</p>

When fastened check space between the pelvic restraint belt and user. When correctly adjusted it should not be possible to insert more than the flat of the hand between the lap belt and the user. (Fig. 6.49)

The lap belt should be fixed so that the belt sits at an angle of 45 degrees across the user's pelvis. The user should be upright and be as far back as possible in the seat when correctly adjusted. The lap belt should not allow the user to slip down in the seat. (Fig. 6.50)




To fasten buckle:
Firmly push male buckle into female buckle.

To release belt:
Press exposed sides of male buckle and push towards centre whilst gently pulling apart.

WARNING!

- If in doubt about the use and operation of the lap belt then ask your healthcare professional, wheelchair dealer, carer or attendant for assistance.
- If you want to retrofit a lap belt, then please contact your authorised Sunrise Medical dealer.
- The lap belt must be checked on a daily basis to ensure it is adjusted correctly and free from any obstruction or adverse wear.
- Sunrise Medical does not encourage the transportation of any person in a vehicle using this lap belt as a method of restraint.

 Please see Sunrise Medical transit booklet for further advice on transportation.

Maintenance:

Check lap belt and securing components at regular intervals for any sign of fraying or damage. Replace if necessary.

WARNING

The lap belt should be adjusted to suit the end user as detailed above. Sunrise Medical recommends that the length and fit of the belt be checked on a regular basis to reduce the risk of the end user inadvertently re-adjusting the belt to an excessive length.

Transit wheels

Transit Wheels (Fig.6.51)

Travel wheels should be used wherever your wheelchair would be too wide if the rear wheels were used. After the rear wheels have been removed with the aid of the quick-release axles, the transit wheels can immediately be used to continue riding. The transit wheels are mounted so that they are approx. 30 mm above the ground when not in use. They are thus out of the way when riding, transporting, or when tipping to pass over obstacles.

CAUTION!

Without rear wheels, your wheelchair has no wheel locks.



7.0 Tyres and Mounting

Solid rubber tyres are standard.

With pneumatic tyres always make sure that the tyres have the correct air pressure, as otherwise the performance of the wheelchair may be affected. If the tyre pressure is too low, rolling resistance will increase, requiring more effort to move the chair forward. Low tyre pressure also has a negative impact on manoeuvrability. If the tyre pressure is too high, the tyre could burst. The correct pressure for a given tyre is printed on the surface of the tyre itself.

Tyres are mounted the same way as an ordinary bicycle tyre. Before installing a new inner tube, you should always make sure that the base of the rim and the interior of the tyre are free of foreign objects. Check the pressure after mounting or repairing a tyre. It is critical to your safety and to the wheelchair's performance that regulation air pressure be maintained and that tyres be in good condition.

8.0 Name Plate

Name Plate

The nameplate is located on either the cross-tube assembly or the transverse frame tube, as well as on a label in the owner's manual. The nameplate indicates the exact model designation and other technical specifications. Please provide the following pieces of information whenever you have to order replacement parts or to file a claim:

- Serial number
- Order number
- Month/Year

SAMPLE

	SUNRISE MEDICAL	Sunrise Medical GmbH Kahlbachring 2-4 D-69254 Malsch / Germany		2021-06-23
TYPE:	Rollstuhl	SN	203211733451939	
Easy Life	ISO 7176-19:2008			
140 kg	max 10°	460 mm	440 mm	

UK	RP	Sunrise Medical Limited Thorns Road, Brierley Hill West Midlands, DY5 2LD UNITED KINGDOM
-----------	-----------	---

TYPE:	Product Name/SKU Number.
	Maximum safe slope with anti-tip tubes fitted, Depends on wheelchair setting, posture and physical capabilities of the user.
	Seat width.
	Seat depth.
	Load Maximum.
UK CA	UKCA Mark.
CE	CE Mark.
	Consult instructions for use.
	XXXX-XX-XX Date of manufacture.
SN	Serial number.
MD	This symbol means Medical Device.
	Manufacturer's address.
ISO 7176-19:2008	Crash tested according to ISO 7176-19:2008.
	Importer's address
UK RP	UK Responsible Person
CH REP	Swiss Representative's address

9.0 Maintenance and care

- If your wheelchair should ever get wet, please dry it afterwards.
- A small amount of sewing-machine oil should be applied to quick-release axles approximately every 8 weeks. Depending on the frequency and type of use, we recommend taking your wheelchair to your authorised dealer every 6 months to have it inspected by trained personnel.
- If you want to store the wheelchair for a long period of time, then no further measures are required. Make sure that the wheelchair is stored at room temperature in a dry place which is protected from strong sunlight. Before using it again, the wheelchair should be checked by an authorised dealer.

CAUTION!

Sand and sea water (or salt in the winter) can damage the bearings of the front and rear wheels. Clean the wheelchair thoroughly after exposure.

The following parts can be removed and sent back to the manufacturer/dealer for repair:

- Rear wheels
- Armrest
- Anti-Tip tubes

These components are available as spare parts. For further information, please see the spare parts catalogue.

Hygiene measures when being re-used:

Prior to the wheelchair being re-used, it must be carefully prepared. All surfaces which come into contact with the user must be treated with a disinfection spray.

To do this, you must use a disinfectant as authorised/recommended in your country, for rapid alcohol-based disinfection for medical products and medical devices, which must be disinfected quickly.

Please take into account the manufacturer's instructions for the disinfectant you are using.

In general, a complete disinfection cannot be guaranteed on seams. We therefore recommend that you dispose of seat and back slings to avoid microbacterial contamination with active agents according to your local infection protection law.

Hygiene When Being Reused:

When the chair is to be reused, it should be prepared carefully, and be wiped and treated with spray disinfectant on all surfaces which could come into contact with the user.

If you need to do this quickly, you must use a liquid, alcohol-based disinfectant suitable for medical products and devices. Please pay attention to the manufacturer's instructions of the disinfectant you are using.

10.0 Trouble shooting

Wheelchair pulls to one side

- Check tyre pressure
- Check to make sure wheel turns easily (bearings, axle)
- Check the castor angle
- Check to make sure both castors are making proper contact with the ground

Castors begin to wobble

- Check the castor angle
- Check to make sure all bolts are secure; tighten if necessary (see the section on torque)
- Check to make sure both castors are making proper contact with the ground

Wheelchair squeaks and rattles

- Check to make sure all bolts are secure; tighten if necessary (see the section on torque)
- Apply small amount of lubrication to spots where movable parts come in contact with one another

Wheelchair begins to wobble

- Check angle at which castors are set
- Check tyre pressure
- Check to see if rear wheels are adjusted differently

11.0 Disposal / recycling of materials

NOTE: If the wheelchair has been supplied to you free of charge it may not belong to you. If it is no longer required follow any instructions given by the organisation issuing the wheelchair in order that it may be returned to them.

The following information describes the materials used in the wheelchair in relation to the disposal or re-cycling of the wheelchair and its packaging. Specific waste disposal or recycling regulations may be in force locally and these should be taken into consideration when disposal arrangements are made. (This may include the cleaning or de-contamination of the wheelchair before disposal).

Aluminium: Castor forks, wheels, side frames, armrests, frame, leg rests, push handles

Steel: Fasteners, QR axle

Plastic: Handgrips, tube plugs, castor wheels, footplates, armpads and 12" wheel/tyre

Packaging: Low density polythene bag, cardboard box

Upholstery: Woven polyester with PVC coatings and expanded combustion modified foam.

Disposal or recycling should be done through a licensed agent or authorised place of disposal. Alternatively your wheelchair may be returned to your dealer for disposal.



12.0 Technical Specifications

Technical Specifications

Overall width:

- With standard wheels including handrims, close mount:
- in combination with desk sideguard: SW + 200 mm
 - in combination with aluminium sideguard: SW + 180 mm
 - in combination with plastic clothes protector: SW + 190 mm
- mm
- With extra-narrow handrim fitting, overall width is reduced by 20 mm

Folded dimensions:

- with rear wheels approx. 300 mm
- without rear wheels approx. 250 mm

Weight in kg:

- Transportation (without footrest, wheels, sideguard) 7 kg
- Footrest (unit) 0.8 kg
- Sideguard (unit) 1.3 kg
- Wheels (unit) 2.2 kg

Maximum user weight:

- Easy Life up to a load of 140 kg (136 kg crash tested)

ADDITIONAL NOTES

In Accordance with EN12183: 2009 all there listed parts (seat - back upholstery, arm pad, side panel...) are fire resistant as per EN1021-2 .

⚠ WARNING!

The Dynamic safe slope is dependant on the chair configuration, the users abilities and the style of riding. As the users abilities and style of riding cannot be predetermined then the max safe slope cannot be determined. Therefore this must be determined by the user with the assistance of an attendant to prevent tipping.

It is strongly recommended that inexperienced users have Anti-tips fitted.

The wheelchair conforms to the following standards:

- a) Requirements and test methods for static, impact and fatigue strengths (ISO 7176-8)
- b) Requirements for resistance to ignition in accordance with ISO 7176-16 (EN 1021-1)

Fig. 35

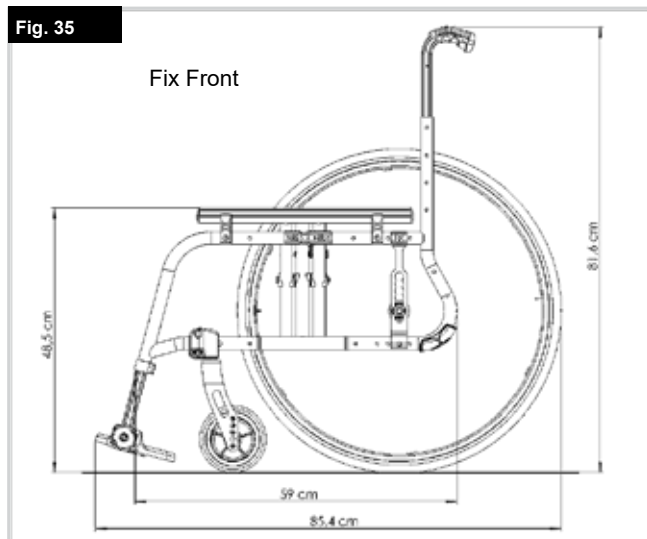
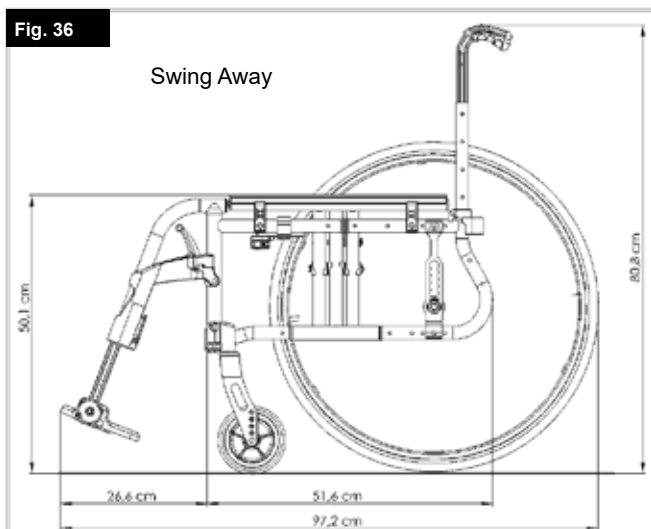


Fig. 36



Sommaire

Couple réel	7
Définitions	31
Avant-propos	32
Utilisation	33
Champ d'application	33
1.0 Consignes générales de sécurité et limites de conduite	34
2.0 Garantie	36
3.0 Transportabilité	37
4.0 Manipulation	39
5.0 Transport du fauteuil	39
6.0 Options	40
Freins	40
Leviers de basculement	41
Repose-pieds	41
Roue avant	43
Plaque d'axe (Centre de gravité)	43
Carrossage	43
Dossier	44
Dossier cassant	45
Tendeur de dossier	45
Appui-têtes	45
Options – Accoudoirs pour personne hémiplegique	45
Protège-vêtements	46
Options – Manipulation d'une seule main	48
Tablette	48
Poignées de poussée	48
Poignée de poussée	48
Roulettes anti-bascule	49
Porte-canne	49
Ceinture pelvienne	50
Roulettes de transit	51
7.0 Pneus et montage des pneus	51
8.0 Plaque signalétique	51
9.0 Maintenance et entretien	52
10.0 Dépannage	52
11.0 Mise au rebut / Recyclage des matériaux	52
12.0 Caractéristiques techniques	53








REMARQUE :

Il est possible que les fauteuils illustrés et décrits dans le présent manuel ne soient pas complètement identiques au modèle que vous avez acheté. Toutefois, toutes les instructions fournies dans le présent manuel sont valables pour votre matériel, malgré d'éventuelles différences minimales.

Le fabricant se réserve le droit de modifier sans préavis les poids, mesures et autres données techniques indiquées dans le présent manuel. Tous les chiffres, dimensions et capacités indiqués dans ce manuel sont approximatifs et ne constituent pas des caractéristiques.

Définitions

3.1 Définitions des termes employés dans le manuel

Terme	Définition
 DANGER !	Indication d'un risque potentiel de blessures sérieuses ou de mort en cas de non-respect des consignes
 AVERTISSEMENT !	Indication d'un risque potentiel de blessure en cas de non-respect des consignes
 ATTENTION !	Indication que le matériel peut être endommagé si le conseil fourni n'est pas suivi
REMARQUE :	Conseil d'ordre général ou pratique recommandée
	Référence faite à d'autres manuels
	Bandage
	Pneus souples
	Incompatible

REMARQUE :

Il vous est conseillé de noter dans l'encadré prévu ci-dessous les coordonnées du technicien chargé de votre service après-vente.

En cas de panne, contactez-le en lui donnant le plus d'informations possible sur la nature de la panne pour qu'il puisse vous aider efficacement et rapidement.

Tampon et signature du revendeur

Avant-propos

Chère cliente, cher client,

Vous avez choisi un produit de SUNRISE MEDICAL de grande qualité. Nous nous en réjouissons.

Ce manuel d'utilisation vous fournira de nombreux conseils et suggestions de sorte que votre produit deviendra pour vous un partenaire familier digne de confiance.

Pour Sunrise Medical, être proche de nos clients est une priorité. C'est pourquoi, nous tenons à vous tenir informé de toutes nos nouveautés, actuelles et à venir. Être proche de nos clients signifie, assurer un service rapide, avec le moins de formalités administratives possible et entretenir une bonne relation avec eux. Que vous souhaitiez commander des pièces de rechange ou des accessoires, ou encore poser des questions concernant votre fauteuil, nous sommes à votre service.

Notre objectif est que vous soyez satisfait de nos services. Chez Sunrise Medical, nous travaillons en permanence au développement de nos produits. Ainsi, des modifications quant à la forme, à la technique et à l'équipement peuvent être apportées à notre gamme de produits. Aucune réclamation ne pourra donc être adressée au sujet des informations et illustrations de ce manuel d'utilisation.

La durée de vie anticipée de ce produit est de 5 années.

Le système de gestion de SUNRISE MEDICAL est certifié ISO 13485 et ISO 14001.

CE En sa qualité de fabricant, SUNRISE MEDICAL, déclare que ce fauteuil est conforme au règlement sur les dispositifs médicaux (2017/745).

REMARQUE :

Conseil d'utilisation générale.

Le non-respect des présentes instructions peut causer des blessures physiques, l'endommagement du matériel ou la dégradation de l'environnement.

Avis aux utilisateurs et/ou patients : tout incident grave survenu en relation avec le dispositif doit être signalé au fabricant et à l'autorité compétente de l'État membre dans lequel l'utilisateur et/ou le patient est établi.

Adaptations spéciales pour B4Me

Afin de vous assurer que votre produit B4Me fonctionne de manière performante comme prévu par le fabricant, Sunrise Medical vous recommande vivement de lire et de comprendre toutes les informations utilisateur fournies avec votre produit B4Me avant de l'utiliser pour la première fois.

Sunrise Medical recommande également que les informations utilisateur ne soient pas jetées après leur lecture, mais qu'elles soient conservées en toute sécurité afin d'être consultées ultérieurement.

Combinaison de dispositifs médicaux

Il est possible de combiner le présent dispositif médical avec un ou plusieurs autres dispositifs ou produits. Vous trouverez sur www.Sunrisemedical.fr toutes les informations utiles sur les combinaisons possibles. Toutes les combinaisons présentées ont été validées et sont conformes aux exigences générales en matière de sécurité et de performances énoncées dans annexe I No. 14.1 du règlement 2017/745 relatif aux dispositifs médicaux.

Vous trouverez des conseils sur la combinaison, relatifs par exemple au montage, sur www.SunriseMedical.fr

Adressez-vous à notre service après-vente SUNRISE MEDICAL, compétent et agréé, pour toute question concernant l'utilisation, la maintenance ou la sécurité de votre fauteuil roulant.

En l'absence de revendeur près de chez vous ou si vous avez des questions relatives à la sécurité des produits et des rappels de produits, contactez Sunrise Medical par écrit ou par téléphone, ou rendez-vous sur www.sunrisemedical.fr.

Sunrise Medical SAS
ZAC de la Vrillonnerie
17 Rue Michaël Faraday
37170 Chambray-Lès-Tours
Tel : +33 (0) 2 47 55 44 00
Email: info@sunrisemedical.fr
www.sunrisemedical.fr



N'UTILISEZ PAS VOTRE FAUTEUIL AVANT D'AVOIR LU ET COMPRIS CE MANUEL.

Utilisation

Les fauteuils roulants sont exclusivement destinés aux enfants et adultes dans l'incapacité de marcher ou à mobilité restreinte et pour leur propre usage, qu'ils soient capables de faire avancer leur fauteuil seuls ou qu'ils soient poussés par une tierce personne (un accompagnateur), à leur domicile et à l'extérieur.

La charge maximale (à savoir le poids de l'utilisateur et des accessoires éventuellement embarqués) est indiquée sur la plaque signalétique apposée sur le croisillon ou sur la barre de stabilisation, en dessous du siège.

La garantie n'est valable que si le produit est utilisé dans les conditions spécifiées et pour l'usage pour lequel il est prévu. La durée de vie prévue pour ce fauteuil est de cinq années. N'utilisez ET n'installez aucun composant tiers sur le fauteuil, à moins qu'ils n'aient été formellement approuvés par Sunrise Medical.

DANGER !

- N'équipez le fauteuil d'aucun dispositif électronique non approuvé.
- N'équipez le fauteuil d'aucun dispositif de mobilité électrique ou mécanique, vélo à main ou tout autre dispositif non approuvé susceptible de modifier l'usage prévu du fauteuil ou sa structure.
- L'ajout de dispositifs médicaux supplémentaires nécessite l'approbation de Sunrise Medical.

Champ d'application

Indications

De par la diversité des options de montage et sa conception modulaire, ce fauteuil convient pour les personnes dans l'incapacité de marcher ou à mobilité restreinte, suite à :

- Une paralysie
- La perte d'un membre (amputation de la jambe)
- La difformité d'un membre
- Des contractures/blessures aux articulations
- Pour les maladies telles que les déficiences cardiaques et circulatoires, la perturbation de l'équilibre ou la cachexie, les profils de maladies neurologiques, la dystrophie musculaire, l'hémiplégie ainsi que pour les personnes âgées qui ont encore de la force dans le haut du corps.

Contre-indications

Le fauteuil roulant ne peut être utilisé sans accompagnateur dans les cas suivants :

- Trouble de la perception
- Déséquilibre
- Perte des deux bras, sans le soutien d'un soignant
- Contracture articulaire ou dommages articulaires au niveau des deux bras
- Incapacité à s'asseoir

REMARQUE :

Il convient de noter que l'utilisation d'un fauteuil roulant exige un certain degré de capacités cognitives, physiques et visuelles. L'utilisateur doit être en mesure d'évaluer les conséquences de ses actions pendant l'utilisation du fauteuil roulant et, si nécessaire, les corriger. Ces capacités et l'utilisation sécurisée de composants supplémentaires fixés au fauteuil roulant ne peuvent être évaluées par le fabricant, Sunrise Medical. Nous déclinons toute responsabilité pour tout dommage découlant d'une telle situation.

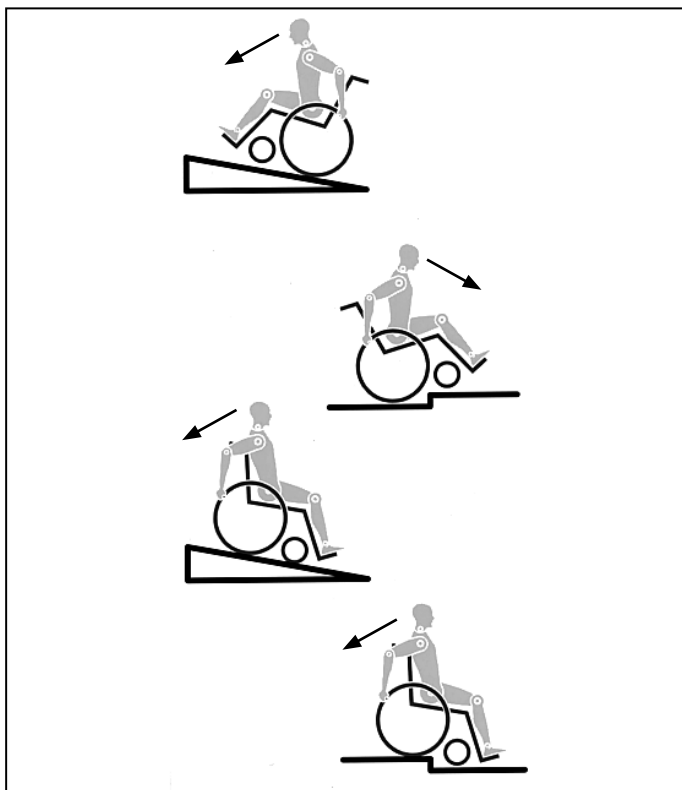
Veillez prendre connaissance des consignes d'utilisation relatives au fauteuil roulant et aux composants accessoires embarqués. Communiquez à l'utilisateur les informations utiles sur l'utilisation sécurisée du fauteuil roulant et des composants accessoires embarqués. Communiquez à l'utilisateur les avertissements spécifiques qu'il est important de connaître et de respecter.

Sélectionner le bon fauteuil nécessite de prendre en compte des éléments tels que la taille de l'utilisateur, son poids, sa constitution physique et psychologique, son âge, son mode de vie et son environnement.

Etat de marche

Le fauteuil est prévu pour une utilisation à l'intérieur comme à l'extérieur, sur des surfaces sèches et relativement peu accidentées, propulsé par l'utilisateur lui-même ou un accompagnateur. Il n'est pas prévu pour une utilisation par temps orageux, pluie torrentielle, neige et givre ou autres conditions météo extrêmes.

1.0 Consignes générales de sécurité et limites de conduite



La conception et la construction du fauteuil sont réalisées pour garantir une sécurité maximale. A l'échelle internationale, toutes les exigences applicables en matière de normes de sécurité sont respectées, voire dépassées. Toutefois, l'utilisateur peut se mettre en situation de danger en utilisant son fauteuil de façon incorrecte. Pour votre sécurité, vous devrez impérativement respecter les consignes suivantes.

Les altérations ou réglages non professionnels ou erronés augmentent le risque d'accidents. En tant qu'utilisateur de fauteuil roulant, vous participez à la circulation publique, sur routes ou trottoirs. Vous êtes par conséquent tenu de respecter le code de la route.

Lors de votre première utilisation du fauteuil, roulez prudemment. Familiarisez-vous avec l'utilisation de votre nouveau fauteuil roulant.

Avant chaque utilisation de votre fauteuil, contrôlez impérativement :

- Les axes à déverrouillage rapide des roues arrière
- Le Velcro du siège et des accoudoirs
- Les pneus, la pression et les freins.

Avant de modifier un quelconque réglage, il est important de lire le paragraphe correspondant du présent manuel d'utilisation.

Des nids de poule ou un sol irrégulier peuvent faire basculer le fauteuil roulant lors de la montée ou de la descente des pentes. Si une marche ou une pente est abordée de face, le corps doit être incliné vers l'avant.

DANGER !

- Ne dépassez JAMAIS la charge maximale de 140 kg (essai de collision jusqu'à 136 kg) combinée entre l'utilisateur et tout autre accessoire éventuellement embarqué. Veuillez noter les informations relatives au poids pour les options plus légères, lesquelles sont indiquées séparément. Toute charge supérieure pourrait endommager le fauteuil ou vous faire basculer, perdre le contrôle et entraîner de graves blessures pour vous et toute autre personne.
- Dans la pénombre, portez des vêtements clairs ou réfléchissants de sorte à être vu par les autres usagers de la route. Veuillez à ce que les réflecteurs latéraux et arrière du fauteuil restent bien visibles. Il est également recommandé d'installer une lumière.

- Pour éviter les chutes et situations dangereuses, il est recommandé de vous entraîner et de vous familiariser avec votre nouveau fauteuil sur une surface plane offrant une bonne visibilité.
- Pour monter et descendre du fauteuil, ne prenez pas appui sur les palettes. Il convient au contraire de les rabattre et de les pivoter vers l'extérieur le plus possible. Placez-vous toujours le plus près possible de l'endroit où vous voulez vous asseoir.
- Utilisez toujours votre fauteuil de manière adéquate. Evitez par exemple de franchir des obstacles sans avoir préalablement ralenti (marche, bord de trottoir).
- Les freins d'immobilisation ne servent pas à ralentir le fauteuil. Ils empêchent votre fauteuil d'avancer involontairement. Quand vous vous tenez sur un terrain accidenté, utilisez impérativement vos freins d'immobilisation. Pensez toujours à actionner les deux freins simultanément, autrement votre fauteuil pourrait basculer.
- Changer le centre de gravité peut avoir un impact sur le comportement du fauteuil dont vous devez être conscient. Il est recommandé de vous entraîner, par exemple en pente ou lors du franchissement d'obstacles. Familiarisez-vous avec les différents comportements en présence d'un accompagnateur.
- Avec des réglages extrêmes (comme les roues arrière en position la plus avancée possible) et une posture inadéquate, le fauteuil risque de basculer, même sur une surface plane.
- Lorsque vous franchissez des côtes et des marches, penchez votre corps plus en avant.
- Lorsque vous descendez des côtes et des marches, penchez votre corps plus en arrière. Ne tentez jamais de monter ou de descendre une pente en diagonal.
- Evitez d'utiliser les escalators. En cas de chute, vous pourriez vous blesser gravement.
- N'utilisez pas le fauteuil sur des pentes de plus de 10° d'inclinaison. Le degré d'inclinaison maximum des pentes dépend de la configuration du fauteuil, des capacités de l'utilisateur et du style de conduite. Les capacités de l'utilisateur et son style de conduite ne pouvant être prédéfinis, le degré d'inclinaison maximum des pentes ne peut être déterminé. Il revient donc à l'utilisateur, assisté de son accompagnateur, de déterminer l'inclinaison maximale afin d'éviter tout risque de basculement. Il est vivement recommandé d'installer des roulettes anti-basculer pour les utilisateurs inexpérimentés.
- Des nids de poule ou un sol irrégulier peuvent faire basculer le fauteuil roulant lors de la montée ou de la descente des pentes.
- N'utilisez pas le fauteuil sur des terrains boueux ou verglacés. N'utilisez pas le fauteuil dans des zones interdites aux piétons.
- Pour éviter de vous blesser aux mains, ne placez pas vos doigts entre les rayons ou entre la roue arrière et le frein de la roue lorsque le fauteuil est en déplacement.
- Si vous utilisez une main courante métallique et freinez dans une longue pente ou pour réduire votre allure, le frottement peut chauffer la main courante et vous brûler les doigts.
- Monter ou descendre une pente latéralement augmente le risque de voir le fauteuil basculer sur le côté.
- Ne montez et descendez les escaliers que si vous êtes accompagné. Des équipements à cet effet sont à votre disposition, comme les rampes d'accès et les ascenseurs. Utilisez-les. En l'absence de tels équipements, deux personnes sont nécessaires pour faire basculer le fauteuil et lui faire franchir les marches une à une en le poussant, et non pas en le soulevant. Il est déconseillé de procéder à de telles manœuvres dans les escaliers avec des utilisateurs de plus de 100 kg.
- En général, en présence de roulettes anti-basculer, il convient de les régler de sorte qu'elles ne puissent heurter les marches, car cela pourrait entraîner une grave chute. Remplacez ensuite les roulettes anti-basculer à leur position normale.

- L'accompagnateur doit toujours tenir le fauteuil par les parties fixes et non pas par les parties amovibles, comme le repose-pied ou la protection latérale.
- Ce fauteuil n'est pas prévu pour être utilisé pendant des séances de musculation et/ou l'utilisation d'haltères. Utilisez uniquement du matériel prévu à cet effet.
- Ne soulevez pas le fauteuil en l'attrapant par les tubes du dossier, ni par les poignées.
- Lors de l'utilisation d'une rampe d'accès, pensez à positionner les roulettes anti-bascule (le cas échéant) en dehors de la zone à risque.
- Immobilisez toujours votre fauteuil à l'aide des freins lorsqu'il se trouve sur les surfaces accidentées ou lorsque vous montez dessus ou en descendez.
- Dans la mesure du possible, au cours d'un déplacement à bord d'un véhicule pour personnes handicapées, il est conseillé aux occupants de s'asseoir sur les sièges et d'utiliser le système de retenue approprié. C'est le seul moyen d'assurer une protection optimale aux occupants en cas d'accident. Si vous utilisez des éléments de sécurité proposés par SUNRISE MEDICAL et un système de sécurité spécifique, les fauteuils légers peuvent servir de siège pour le déplacement à bord d'un véhicule spécialement adapté. (Voir le chapitre sur "Transport").
- Selon le diamètre et le réglage des roues avant, ainsi que le centre de gravité du fauteuil, les roues avant peuvent se mettre à vibrer à mesure que la vitesse du fauteuil augmente. Les roues avant risquent alors de se bloquer et le fauteuil de basculer. Il est donc essentiel de régler correctement les roues avant (voir le chapitre "Roues avant"). Ne descendez pas une pente sans frein et déplacez-vous lentement. Il est recommandé aux utilisateurs inexpérimentés d'utiliser des roulettes anti-bascule.
- Les roulettes anti-bascule empêchent le fauteuil de basculer accidentellement vers l'arrière. En aucun cas, elles ne doivent remplacer les roulettes de transit et servir au transport d'une personne dans un fauteuil dont les roues arrière auraient été retirées.
- Si vous souhaitez atteindre un objet (placé devant, derrière ou latéralement par rapport au fauteuil), évitez de trop vous pencher afin de ne pas modifier le centre de gravité et risquer de faire basculer le fauteuil. La présence d'une charge supplémentaire (sac à dos ou objets similaires) sur les montants arrière du dossier peut avoir un impact sur la stabilité de votre fauteuil (surtout si le dossier est incliné en arrière) et peut faire basculer le fauteuil en arrière et entraîner des blessures.
- Les réglages de votre fauteuil, et plus particulièrement les réglages des composants relatifs à la sécurité, doivent être réalisés exclusivement par un revendeur agréé. Cette exigence concerne les freins d'immobilisation, les roulettes anti-bascule, l'angle d'inclinaison et la hauteur du dossier, la longueur de jambe inférieure, le centre de gravité, la ceinture sous-abdominale, le pincement et le carrossage des roues arrière, la hauteur du siège, ainsi que le pincement et la stabilité directionnelle de la fourche.
- Lors de l'utilisation d'accessoires de mobilité montés sur le fauteuil roulant, comme le handbike, la fonction assistée, etc., vérifiez que votre fauteuil est équipé des fourches appropriées à cet usage. N'hésitez pas à contacter votre revendeur en cas de doute.
- N'équipez le fauteuil d'aucun dispositif électronique, dispositif de mobilité électrique ou mécanique, vélo à main ou tout autre dispositif non approuvé susceptible de modifier l'usage prévu du fauteuil ou sa structure.
- L'ajout de dispositifs médicaux supplémentaires nécessite l'approbation de Sunrise Medical.
- À noter que dans certaines configurations, le fauteuil peut dépasser la largeur de 700 mm. Si tel est le cas, certaines issues de secours peuvent ne pas permettre le passage du fauteuil. Par ailleurs, le déplacement à bord des transports publics peut être difficile, voire impossible.
- Votre revendeur sera en mesure de vous fournir des informations et des consignes de sécurité supplémentaires.
- Pour les personnes amputées d'un ou des membres inférieurs, il est impératif d'utiliser les roulettes anti-bascule.
- Avant d'utiliser votre fauteuil, vérifiez la pression des pneus. Pour les roues arrière, la pression doit être au moins de 3,5 bars (350 kPa). La pression maximale est indiquée sur la jante des pneus. Le frein à manette à hauteur du genou ne fonctionne que si la pression des pneus est suffisante et si le réglage est correct (voir le chapitre sur les "Freins").
- Si les toiles du dossier et du siège sont abîmées, remplacez-les immédiatement.
- Soyez très vigilants avec les risques d'incendie, surtout avec les cigarettes allumées. Les toiles du dossier et du siège peuvent prendre feu.
- Si le fauteuil est exposé au soleil pendant une période prolongée, certaines parties du fauteuil (par ex. le châssis, les repose-jambes, les freins et le protège-vêtement) peuvent chauffer (>41°C).
- Vérifiez que les axes à déverrouillage rapide des roues arrière sont bien réglés et verrouillés. Si le bouton de l'axe à déverrouillage rapide n'est pas enfoncé, vous ne pouvez pas enlever la roue arrière.

AVERTISSEMENT !

- L'efficacité du frein à manette au genou et des caractéristiques de conduite générales dépend de la pression des pneus. Le fauteuil sera considérablement plus léger et plus facile à manœuvrer si les pneus des roues arrière sont correctement gonflés et ont la même pression.
- Vérifiez la sculpture des pneus. N'oubliez pas que lorsque vous vous déplacez au milieu de la circulation, vous devez respecter toutes les réglementations relatives au code de la route.
- Faites attention de ne pas vous pincer les doigts lorsque vous procédez à des réglages du fauteuil.

AVERTISSEMENT !

RISQUE D'ÉTOUFFEMENT – Cette aide à la mobilité est composé de petites pièces qui, dans certaines conditions, peuvent présenter un risque d'étouffement pour les jeunes enfants.

Il est possible que les fauteuils illustrés et décrits dans le présent manuel ne soient pas complètement identiques au modèle que vous avez acheté. Toutefois, toutes les instructions fournies dans le présent manuel sont valables pour votre matériel, malgré d'éventuelles différences minimales.

Le fabricant se réserve le droit de modifier sans préavis les poids, mesures et autres données techniques indiquées dans le présent manuel. Tous les chiffres, dimensions et capacités indiqués dans ce manuel sont approximatifs et ne constituent pas des caractéristiques.

CELA N'AFECTE EN AUCUN CAS VOS DROITS LEGAUX.

La garantie de Sunrise Medical* est détaillée dans les conditions de garantie suivantes.

Conditions de garantie :

1. Si une ou plusieurs pièces devaient être remplacées ou réparées suite à un vice de fabrication et/ou de matériel dans les 24 mois (5 ans pour le châssis ou le croisillon) suivant la livraison au client, la ou les pièces seront remplacées ou réparées gratuitement. La garantie ne couvre que les vices de fabrication.
2. Pour faire jouer la garantie, veuillez contacter le service client Sunrise Medical afin de préciser la nature du problème. En cas d'utilisation du fauteuil dans une zone située en dehors du territoire du service après-vente (revendeur) Sunrise Medical, les réparations ou remplacements seront assurés par un autre service après-vente désigné par le fabricant. Le fauteuil doit être réparé par un service après-vente désigné par Sunrise Medical.
3. Toute pièce réparée ou échangée dans le cadre de la garantie est couverte par la garantie pour la période restante conformément au point 1.
4. Concernant les pièces détachées d'origine installées ultérieurement et au frais du client, celles-ci sont couvertes par une garantie de 12 mois (à compter de l'installation), conformément aux présentes conditions de garantie.
5. La garantie ne peut être actionnée si la réparation ou l'échange du fauteuil ou d'une pièce découle de l'un des cas de figure suivants :
 - a. L'usure normale, notamment celle des batteries, des accoudoirs, de la garniture, des pneus, des patins de frein, etc.
 - b. Les anomalies découlant de la surcharge du produit. La charge maximale d'utilisation est indiquée sur l'étiquette CE.
 - c. Le produit n'a pas été entretenu ou révisé conformément aux recommandations du fabricant, telles qu'indiquées dans le manuel d'utilisation et/ou les notices d'entretien.
 - d. Les accessoires utilisés ne sont pas des accessoires d'origine.
 - e. Le fauteuil roulant - ou l'une de ses pièces - a été endommagé suite à un mauvais entretien, à un accident ou à une utilisation inadéquate.
 - f. Des changements/modifications non conformes aux spécifications du fabricant ont été effectués sur le fauteuil ou des pièces.
 - g. Les réparations ont été effectuées avant d'en avoir informé le service client.
6. Cette garantie est soumise à la loi du pays d'achat du produit auprès de Sunrise Medical*

* Le lieu Sunrise Medical depuis lequel le produit a été acheté.

3.0 Transportabilité

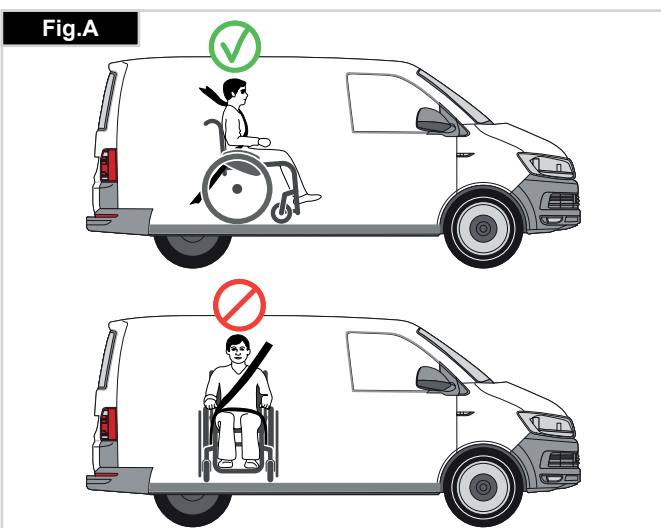
⚠ DANGER !

Il y a risque de blessures sérieuses ou de mort si ce conseil n'est pas respecté.

Transport de votre fauteuil roulant dans un véhicule :

Un fauteuil roulant arrimé dans un véhicule n'assurera pas le même niveau de sécurité que les sièges du véhicule. Il est toujours recommandé que l'utilisateur soit transféré au siège du véhicule. Sunrise Medical reconnaît qu'il n'est pas toujours facile de transférer l'utilisateur et dans une telle situation où l'utilisateur doit être transporté tout en étant dans son fauteuil roulant, il convient de suivre les recommandations suivantes :

1. Faites vous confirmer que le véhicule est correctement équipé pour transporter un passager dans un fauteuil roulant, et assurez-vous que la méthode d'accès/de sortie est convenable pour votre type de fauteuil roulant. Le sol du véhicule doit être suffisamment résistant pour supporter le poids de l'utilisateur avec celui du fauteuil roulant et de ses accessoires.
2. Suffisamment d'espace doit être disponible autour du fauteuil afin d'avoir un accès facile pour attacher, serrer et détacher le fauteuil roulant et le dispositif de retenue de l'occupant et les ceintures de sécurité.
3. Le fauteuil doit être placé dans le sens de la marche et être ancré par les points d'arrimage et le système de retenue et de fixation (conforme à la norme ISO 10542 ou SAE J2249) conformément aux instructions du fabricant du système de retenue.
4. L'utilisation du fauteuil à bord d'un véhicule motorisé dans une position autre que celle préconisée n'a pas fait l'objet de tests, ainsi le positionnement latéral du fauteuil ne doit être envisagé en aucun cas (Fig. A).
5. Le fauteuil doit être sécurisé par un système d'arrimage conforme à ISO 10542 ou SAE J2249 avec sangles avant non-réglables et sangles arrière réglables, qui utilisent typiquement des mousquetons/crochet en S et des boucles à ardillons. Ces dispositifs de retenue comprennent généralement 4 sangles individuelles qui sont attachées de chaque côté du fauteuil roulant.
6. Ce système d'arrimage doit être fixé au châssis principal du fauteuil roulant comme indiqué dans le schéma sur la page suivante, et non pas à tout points d'attache ou accessoires, ex. pas autour des rayons des roues, freins ou repose-pied.



7. Le système de fixation doit être attaché le plus possible à un angle de 45° et tendu conformément aux indications du fabricant.

8. Ne modifiez et ne remplacez pas les points d'ancrage du fauteuil, ni les composants structurels sans avoir préalablement demandé l'avis du fabricant, à défaut de quoi le fauteuil Sunrise Medical ne sera pas conforme pour le transport à bord d'un véhicule motorisé.

9. Les deux ceintures de retenue au niveau du bassin et du torse supérieur doivent être utilisées pour retenir le passager afin de réduire la possibilité de choc de la tête ou du torse avec les composants du véhicule et de risques graves de blessures à l'utilisateur et tout autre occupant du véhicule. (Fig. B) La ceinture de retenue du torse supérieur doit être montée au pilier "B" du véhicule - ne pas respecter ceci augmente le risque de blessures abdominales graves à l'utilisateur.

10. Un soutien de tête adéquate pour le transport (voir étiquette de l'appui-tête) doit être installé et doit être dans la position souhaitée à tout moment pendant le transport.

11. Les systèmes de maintien posturaux (sangles sous-abdominales, ceintures sous-abdominales) ne doivent pas servir de système de retenue dans un véhicule en déplacement, à moins qu'ils ne soient conformes à la norme ISO 7176-19 ou SAE J2249, ce qui doit être spécifiquement indiqué sur l'étiquette.

12. La sécurité de l'utilisateur pendant son transport dépend de la vigilance de la personne sécurisant le système d'arrimage et cette personne devrait avoir reçu des instructions appropriées et/ou une formation sur leur utilisation.

13. Dans la mesure du possible, retirez du fauteuil et rangez tous les accessoires et équipements auxiliaires, comme par exemple : Les cannes, les coussins amovibles et les tablettes.

14. Vous ne devez pas utiliser les repose-jambe articulés/élévateurs en position élevée quand le fauteuil roulant et l'utilisateur sont transportés et quand le fauteuil roulant est retenu par des dispositifs de retenue pour le transport de fauteuils roulants et de son passager.

15. Les dossiers inclinables doivent être remis en position verticale.

16. Les freins manuels du fauteuil doivent impérativement être enclenchés.

17. Les dispositifs de retenue doivent être montés au pilier "B" du véhicule et ne doivent pas être retenus par des composants du fauteuil roulant tel les accoudoirs ou les roues.



Transportabilité

Instructions pour le système de retenue de l'occupant :

1. La ceinture de retenue du bassin doit être fixée en position basse à travers le bassin de façon à ce que l'angle de la ceinture du bassin soit dans la zone de préférence entre 30 et 75 degrés par rapport à l'horizontal.

Un plus grand angle au sein de la zone de préférence est recommandé c'est-à-dire plus proche de 75°, mais sans jamais cependant dépasser cette limite. (Fig. C)

2. La ceinture thoracique doit passer par-dessus l'épaule et en travers de la poitrine, comme illustré aux Fig. D et E

Les ceintures de retenue doivent être serrées le plus possible, tout en respectant le confort de l'utilisateur.

La sangle de la ceinture de sécurité ne doit pas être entortillée pendant son utilisation.

La ceinture thoracique doit passer par-dessus l'épaule et en travers de l'épaule, comme illustré aux Fig. D et E.

3. Les points de retenue au fauteuil sont le côté interne avant du châssis juste au-dessus de la roue avant et l'arrière du châssis. Les sangles sont fixées autour des flancs de châssis, à l'intersection des tubes de châssis horizontaux et verticaux. (Voir Fig. G - I).

4. Le symbole d'arrimage (Fig. F) sur le châssis du fauteuil roulant indique la position des sangles de retenue du fauteuil roulant. Les sangles sont ensuite tendues après que les sangles avant aient été fixées pour sécuriser le fauteuil roulant.

Positionnement du dispositif d'arrimage sur le fauteuil roulant :

1. Emplacement des étiquettes d'arrimage à l'avant et à l'arrière (Fig. G - I).

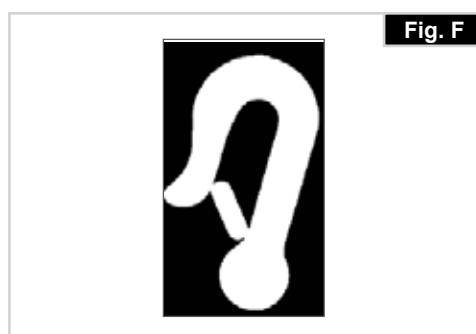
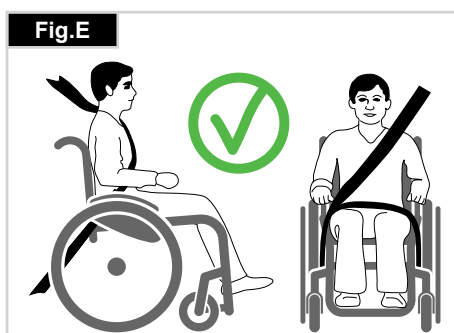
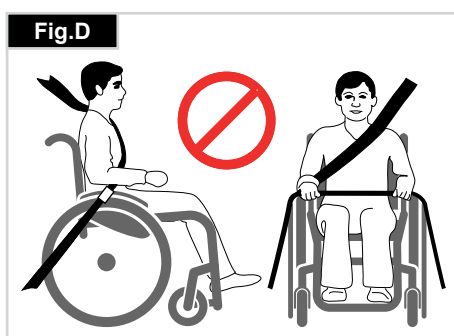
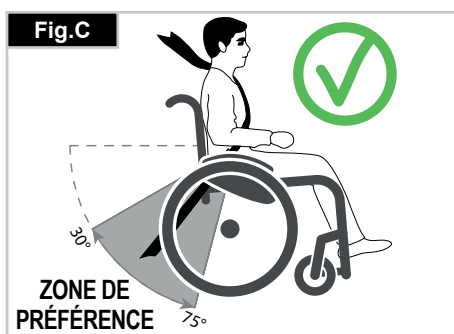
Poids minimum de l'utilisateur 22 kg :

Si l'utilisateur devant être transporté est un enfant pesant moins de 22 kg et si le véhicule utilisé compte moins de huit (8) passagers assis, il est recommandé d'utiliser un dispositif de retenue pour enfants conforme au règlement 44 de la CEE-ONU.

Ce type de dispositif de retenue est un moyen de retenue plus efficace que les dispositifs à trois points, et certains dispositifs de retenue pour enfants assurent également un support postural supplémentaire afin de maintenir la position de l'enfant lorsqu'il est assis.

Les parents ou toute autre personne s'occupant de l'enfant peut, selon le cas, décider de laisser l'enfant dans son fauteuil roulant pendant le transport en raison du niveau de contrôle de la posture ou du niveau de confort assuré par les réglages du fauteuil.

Dans ce cas, nous vous invitons à procéder à une évaluation des risques par le professionnel de santé qui vous suit ou par toute personne compétente dans ce domaine.



4.0 Manipulation

Pliage du fauteuil (Fig. 4.0)

Commencez par retirer le coussin du fauteuil, puis relevez la palette monobloc ou les palettes séparées. Attrapez la toile du siège par en dessous en plaçant vos doigts au centre et tirez vers le haut, jusqu'à ce que la patte de fermeture s'enclenche (Fig. 4.0 - 4.1). Pour gagner un maximum de place, afin par exemple de ranger le fauteuil dans le coffre de la voiture, vous pouvez enlever les repose-pieds (selon modèle). Ouvrez le verrou et rabattez le repose-pieds latéralement, (Fig. 4.2 - 4.3). Il suffit ensuite de sortir le repose-pieds de son tube de logement.

Transport (Fig. 4.1).

Pour déplacer votre fauteuil, soulevez-le en l'attrapant par la partie frontale du croisillon et par les poignées.

Dépliage du fauteuil

Actionnez vers le bas le levier de déverrouillage du pliage (Fig. 4.4) et écartez les deux parties du châssis. Appuyez ensuite sur les tubes de siège (Fig. 4.5). Le fauteuil roulant se déplie. Maintenant, pressez les tubes du siège dans les supports. Cette opération s'effectue plus facilement en basculant légèrement le fauteuil sur le côté. L'une des roues arrière est alors libérée et le fauteuil se déplie plus facilement. Faites attention de ne pas vous coincer les doigts dans les tubes du croisillon. Remplacez le coussin du siège.

⚠ AVERTISSEMENT !

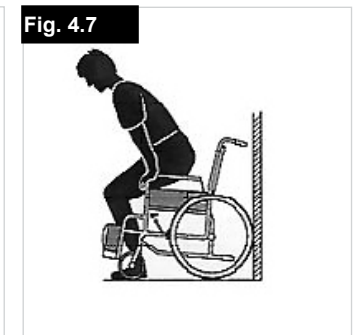
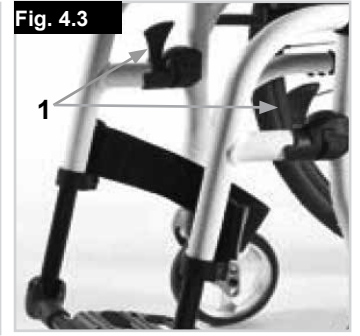
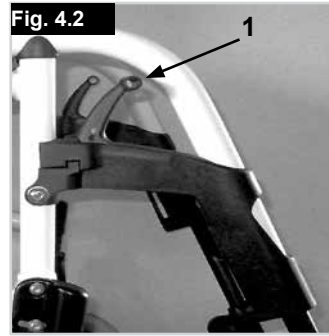
Risque de pincement des doigts

Vous asseoir dans votre fauteuil par vous-même

- Poussez le fauteuil roulant contre un mur ou contre un meuble solide ;
- Serrez les freins
- L'utilisateur peut s'installer dans le fauteuil
- Puis positionnez les pieds devant les sangles talonnières (Fig. 4.6).

Sortir de votre fauteuil par vous-même

- Serrez les freins
- La personne doit se pencher légèrement vers l'avant en se tenant d'une main sur la roue ou le garde-boue afin de transférer le poids de son corps vers l'avant du siège, puis levez-vous en poussant avec les deux pieds par terre, un pied derrière l'autre. (Fig. 4.7).



5.0 Transport du fauteuil

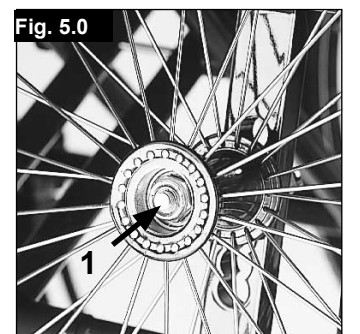
Lorsque le fauteuil est transporté inoccupé à bord d'un véhicule motorisé, il convient de l'arrimer ou de l'attacher.

Axes à déverrouillage rapide des roues arrière (Fig. 5.0)

Les roues arrière sont démontables pour obtenir un fauteuil aussi compact que possible. Les roues arrière doivent être munies d'axe à déverrouillage rapide. Les roues peuvent être démontées ou montées sans outils. Pour démonter les roues, pressez sur le bouton d'arrêt (1) et retirez la roue arrière.

⚠ ATTENTION !

Lors du montage, appuyez sur le bouton de l'axe à déverrouillage rapide et insérez l'axe dans le canon, tout en conservant le bouton pressé. Relâchez le bouton et la roue est bloquée. Le bouton d'arrêt doit revenir dans sa position de départ.



6.0 Options

Freins

Freins (Fig. 6.01 - 6.02)

Le fauteuil est équipé de deux freins d'immobilisation. Les freins agissent directement sur les pneus. Pour immobiliser votre fauteuil, serrez les deux leviers de freinage jusqu'à la butée avant. Tirez le levier de freinage en arrière pour le relâcher.



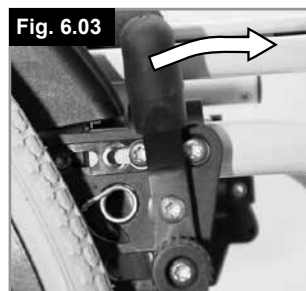
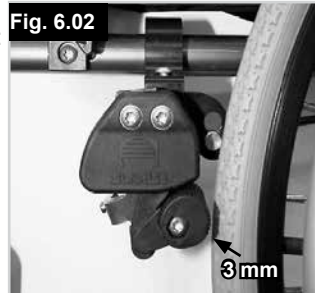
⚠ AVERTISSEMENT !

L'effet de freinage diminue quand :

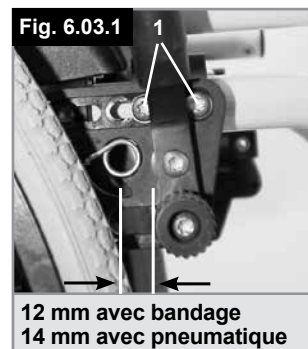
- le montage ou le réglage des freins est incorrect
- la pression des pneus est trop faible.
- Les sculptures du pneu sont usées
- Les pneus sont humides
- Le frein est mal réglé.
- Les freins d'immobilisation ne sont pas destinés à être utilisés comme des freins de service.
- N'actionnez pas les freins en marche.
- Freinez toujours à l'aide des mains courantes.

Veillez à ce que l'écartement entre le frein et le pneu soit conforme à la valeur indiquée. Pour régler, dévissez la vis et réglez le bon intervalle. Resserrez de nouveau la vis (Fig. 6.01, 6.02).

Après avoir procédé au réglage des roues arrière, vérifiez toujours l'intervalle avec les freins d'immobilisation. Réajustez si nécessaire.



Frein standard



Frein standard

Freins à tambour

Les freins tambour permettent à l'accompagnateur de freiner en toute sécurité et de manière aisée.

Ils peuvent être également montés avec un levier de verrouillage (1) pour éviter qu'ils ne se desserrent accidentellement.

Vous devez entendre le clic du levier de blocage lors de son enclenchement.

Le gonflage des pneus n'a aucune incidence sur les freins tambour (Fig. 6.04).

⚠ AVERTISSEMENT !

Ne confiez le réglage du frein tambour qu'à un revendeur. Actionnez toujours les 2 freins simultanément pour garantir une direction de conduite contrôlée.

Les freins tambour sont un moyen de freinage dynamique destiné exclusivement à immobiliser le fauteuil roulant durant son déplacement.

Enclenchez toujours les freins d'immobilisation pour les arrêts de courte ou longue durée et lorsque vous montez ou descendez du fauteuil.



Rallonge du levier de frein

La rallonge vous permet de déployer moins d'efforts pour actionner les freins.

La rallonge est directement vissée aux freins. En le levant, le levier pourra être rabattu vers l'avant (Fig. 6.05).



⚠ ATTENTION !

- Plus les freins seront montés près de la roue, plus l'effort à fournir pour les actionner sera grand. Cela pourrait casser la rallonge du levier de frein !
- Veillez à ne pas prendre appui sur la rallonge du levier lorsque vous montez ou descendez du fauteuil, car vous risqueriez de la casser ! Veillez à ne pas prendre appui sur la rallonge du levier lorsque vous montez ou descendez du fauteuil, car vous risqueriez de la casser !
- Si le frein n'est pas correctement monté, vous devrez forcer pour l'actionner.
- Cela pourrait casser la rallonge du levier de frein.

Freins compacts (Fig. 6.06)

Les freins compacts se trouvent sous la toile du siège. Pour les activer, il suffit de tirer les freins vers l'arrière, en direction du pneu. Pour fonctionner correctement, les freins compacts doivent être complètement tirés contre les butées.



⚠ ATTENTION !

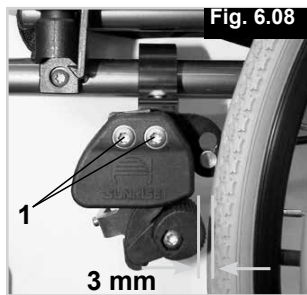
- Si le frein n'est pas correctement monté, vous devrez forcer pour l'actionner. Cela pourrait casser la rallonge du levier de frein.
- Les boulons de montage du frein ne doivent pas être desserrés et/ou resserrés.

Freins unilatéraux

Votre fauteuil est doté de deux freins d'immobilisation, chacun placé de part et d'autre et pouvant fonctionner d'un côté comme de l'autre. Les freins agissent directement sur les pneus. Pour les actionner, baissez le levier de frein vers l'avant jusqu'à la butée (Fig. 6.07). Pour relâcher les freins, relevez le levier dans sa position originale.

- L'effet de freinage diminue quand :
- Les sculptures du pneu sont usées
- La pression des pneus est insuffisante
- Les pneus sont humides
- Le frein est mal réglé.

Les freins d'immobilisation ne sont pas destinés à être utilisés comme des freins de service. N'actionnez pas les freins en marche. Freinez toujours à l'aide des mains courantes. Vérifiez que l'écart entre les pneus et les freins d'immobilisation est conforme aux valeurs spécifiées. Pour régler, dévissez la vis (1) et réglez le bon intervalle (Fig. 6.08). Resserrez de nouveau la vis (Voir la page couples de serrage)



Leviers de basculement

Le levier de basculement permet à l'accompagnateur(-trice) de faire basculer le fauteuil pour franchir un obstacle. Placez votre pied sur le tube d'appui pour faire franchir au fauteuil un trottoir ou une marche, par exemple, (Fig. 6.09).

ATTENTION !

Sunrise Medical recommande vivement l'installation d'un levier arrière de basculement sur les fauteuils où l'accompagnateur sera l'utilisateur principal. En l'absence de levier arrière de basculement, l'utilisation répétée du dossier et la force exercée dessus pour incliner le fauteuil aura pour effet d'endommager les montants du dossier.



AVERTISSEMENT !

Veillez à ce que le levier de basculement ne puisse pas heurter le sol au moment de franchir des trottoirs, des bordures et des marches ou d'emprunter un escalator.

Repose-pieds

Il existe plusieurs types de palettes compatibles avec le fauteuil Life. Ces palettes se rabattent pour monter et descendre plus facilement du fauteuil. Elles sont décrites ci-dessous.

Verrou du repose-pied escamotable

Lorsque vous installez les repose-pieds, ceux-ci se placent en position rabattue (Fig. 6.10). Il suffit ensuite de les faire pivoter vers l'intérieur jusqu'à ce que le système de verrouillage soit enclenché (1). Pour enlever les repose-pieds, appuyez sur le levier (2), basculez les repose-pieds vers l'extérieur et retirez-les. Vérifiez que les repose-pieds sont bien fixés.

Le repose-pieds est limité par la butée de la potence (Fig. 6.10) à une position à 90°. Cette précaution a pour but d'éviter de relâcher accidentellement le frein lorsque le repose-pieds est escamoté.

AVERTISSEMENT !

Les repose-pieds n'ont pas été conçus pour soulever ou porter le fauteuil avec un utilisateur assis dedans.

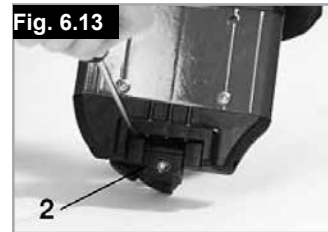
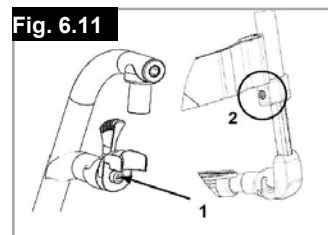
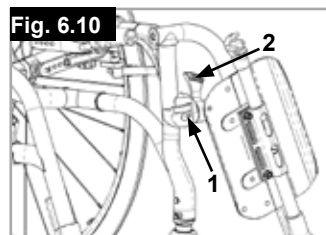
Réglage du jeu dans la potence

Si la potence présente du jeu (Fig. 6.11) vous pouvez la régler sur le terrain. La clavette de potence (1) se règle afin de réduire le jeu.

Démontez la potence du fauteuil à l'aide du mécanisme de libération.

À l'aide d'un tournevis, tournez la clavette (1) délicatement vers la gauche. Réinstallez la potence pour voir s'il y a encore du jeu. Si le mécanisme de la potence ne fonctionne plus, ramenez la clavette légèrement vers la droite.

Si le jeu reste encore important et si la performance est insatisfaisante, répétez l'opération.



Longueur de la jambe inférieure

En enlevant les vis de réglage (Fig. 6.12), vous pouvez régler la longueur de jambe inférieure. Dévissez la vis de réglage, puis réglez la palette à la hauteur désirée sur le montant. Revissez les vis de réglage (Voir la section sur la force de torsion). Vérifiez que le joint en plastique est bien positionné sous la vis de réglage.

AVERTISSEMENT !

Ne prenez pas appui sur la palette pour monter ou descendre de la poussette. Le fauteuil risque de basculer vers l'avant lorsque vous vous tenez debout sur la palette. Posez vos pieds au sol lorsque vous montez ou descendez du fauteuil.

Palettes

La palette se rabat pour monter et descendre plus facilement du fauteuil.

Elle s'incline également en six angles différents par rapport à une surface plane.

Resserrez bien la vis (1) située sur l'extérieur.

En enlevant les attaches (2), il devient possible de régler les palettes en trois positions différentes, vers l'avant comme vers l'arrière. Pour cela, la palette devra être rabattue vers le haut, (Fig. 6.13).

Lorsque vous avez terminé, n'oubliez pas de bien revisser toutes les vis (Voir la section sur la force de torsion).

Il faut toujours conserver un intervalle minimum de 25 mm entre les repose-pieds et le sol.

Ajustements de la largeur des repose-pieds

Si vous devez régler la largeur du repose-pieds, dévissez la vis (1), placez 1, 2 ou 3 entretoises (2) à l'intérieur ou à l'extérieur selon la largeur désirée et revissez la vis, (Fig. 6.14).

Repose-pied léger

Vous pouvez régler l'angle d'inclinaison du repose-pieds. Dévissez pour cela les vis (2). Vous pouvez installer des protections latérales sur la palette, qui s'insèrent dans les trous de montage (3). Celles-ci empêchent le pied de glisser accidentellement, (Fig. 6.15). Après avoir procédé à vos réglages, vérifiez toujours d'avoir bien revissé toutes les vis (voir la section sur la force de torsion).

Réglage de la largeur

Pour régler la largeur du repose-pieds, dévissez les vis (2). Glissez ensuite les tubes pour les rapprocher ou les écarter en fonction de la largeur souhaitée (Fig. 6.15). Vérifiez d'avoir bien revissé les vis au bon couple de serrage.

Verrouillage de la palette

Lorsqu'elle est abaissée, la palette est automatiquement verrouillée. Pour la relever, tirez le bouton de libération 1. Pour conserver la position déverrouillée, tirez le bouton de libération 1, puis pivotez-le (Fig. 6.16).

AVERTISSEMENT !

Pensez à ré-enclencher le système pour bénéficier de sa pleine fonctionnalité.

Repose-jambe - standard

Pour relever les repose-jambes :

Tirez les repose-jambes vers le haut et réglez-les à la hauteur désirée. Les repose-jambes s'enclenchent et émettent un clic (Fig. 6.17).

Pour abaisser :

Soulevez la jambe inférieure pour éliminer tout poids sur les repose-pieds, puis enfoncez le levier de déverrouillage. Abaissez les repose-pieds. Dès que vous relâchez le levier, vous entendrez le repose-jambe s'enclencher.

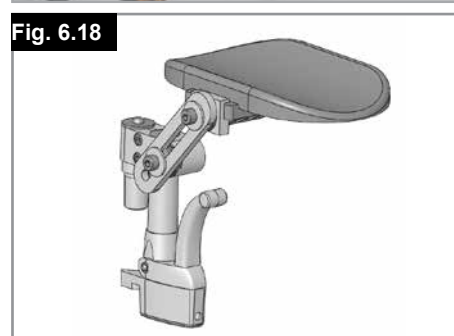
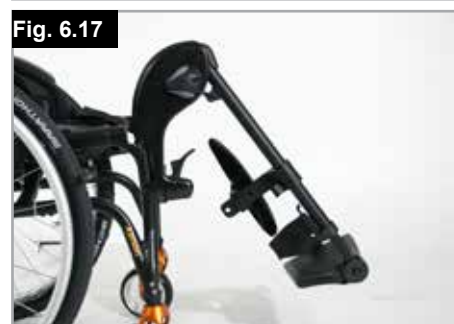
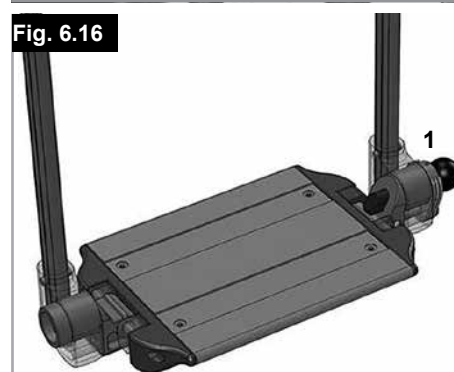
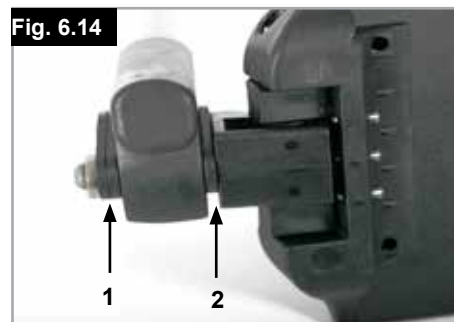
AVERTISSEMENT !

- Faites attention de ne pas vous coincer les doigts lorsque vous réglez la hauteur du repose-pieds.
- Tenez vos doigts éloignés du mécanisme de réglage entre le châssis et les organes mobiles du repose-pieds.
- Les repose-pieds n'ont pas été conçus pour soulever ou porter le fauteuil avec un utilisateur assis dedans.
- Ne prenez jamais appui sur le repose-pied pour monter ou descendre du fauteuil

SUPPORT POUR PERSONNE AMPUTÉE

(Fig. 6.18).

Le support pour personne amputée se règle dans toutes les directions, selon les besoins.



Roue avant

Roue avant, Support de fourche, Fourche (Fig. 6.19)

Il est possible que le fauteuil tire légèrement à droite ou à gauche ou que les roues avant aient du jeu.

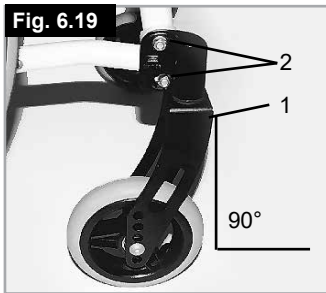
Cela peut être dû aux raisons suivantes :

Le mouvement avant et arrière des roues n'est pas correctement réglé.

Le réglage du carrossage n'est pas adapté.

La pression et la souplesse des roues arrière et des roues avant ne sont pas adaptées.

Les roues avant doivent être réglées de façon optimale pour que le fauteuil roule de façon rectiligne. Les réglages des roues avant doivent toujours être confiés à un revendeur agréé. En cas de modifications de la position de la roue arrière, les réglages du support de fourche et du frein doivent être contrôlés. Vérifiez la position de l'adaptateur de la roue avant (1) en plaçant une équerre à côté et en regardant par devant. Vérifiez que le support de fourche soit réglé au bon angle par rapport au sol. En dévissant les vis (2) et en déplaçant l'adaptateur, vous pouvez réajuster les roues à leur position optimale. Après avoir procédé à vos réglages, vérifiez toujours d'avoir bien revissé toutes les vis (voir la section sur la force de torsion).



Carrossage

Carrossage (Fig. 6.21 - 6.22)

Le carrossage du fauteuil peut être réglé de 1° à 4°.

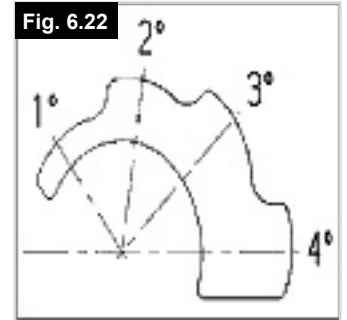
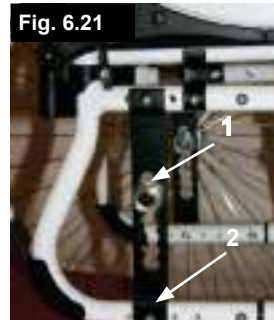
Cela permet d'accroître la stabilité latérale du fauteuil et de renforcer sa manœuvrabilité.

Dévissez les vis de la plaque perforée (1). Réglez ensuite l'adaptateur (2) à l'angle désiré. Revisssez ensuite les vis (Voir la section sur la force de torsion)

Le réglage du carrossage a pour effet de modifier la largeur globale du fauteuil (chaque degré ajoute environ 10mm).

⚠ ATTENTION !

Si nécessaire, ré-ajustez les freins et les roues avant.



Plaque d'axe (Centre de gravité)

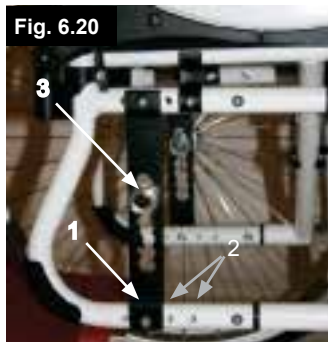
Plaque d'axe (Fig. 6.20)

La position du centre de gravité par rapport à la roue arrière est un facteur important permettant une conduite aisée et confortable. Plusieurs positions sont possibles. Si vous déplacez la plaque perforée vers l'arrière (1) sur les orifices (2), le fauteuil se trouve en position sécurisée mais devient moins manœuvrable que lorsque la plaque est positionnée plus en avant.

En déplaçant le canon d'axe (3) sur la plaque perforée, vous pouvez régler la hauteur du siège du fauteuil. Après avoir procédé à vos réglages, vérifiez toujours d'avoir bien revissé toutes les vis (voir la section sur la force de torsion).

⚠ ATTENTION !

Si nécessaire, ré-ajustez les freins et les roues avant.



Dossier

Toile du dossier réglable, (Fig. 6.23)

Pour régler la tension de la toile du dossier, séparez les bandes Velcro® et glissez-les à travers les anneaux (1). Une fois la tension désirée obtenue, refermez les bandes Velcro l'une sur l'autre.

Procédez de la même façon pour chaque paire de bandes. Une fente permet d'accéder à la garniture de la toile depuis l'intérieur et la matière choisie peut varier selon les choix individuels.

⚠ AVERTISSEMENT !

Vérifiez d'avoir fermement refermé les bandes avant de réutiliser le fauteuil.



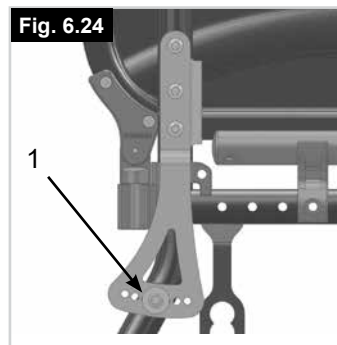
Dossier réglable en angle (Fig. 6.24)

Le dossier réglable en angle peut se régler sur différentes positions (12° vers l'avant maximum, et vers l'arrière par incréments de 4°).

Desserrez et retirez la vis (1) pour régler l'angle par incréments de 4°.

⚠ ATTENTION !

Pour votre sécurité, confiez ce travail de réglage à votre revendeur.



Dossier rabattable

Afin de faciliter le transport du fauteuil, la partie supérieure du dossier peut être rabattue.

Pour cela, appuyez sur les deux leviers (1) et abaissez le dossier. Lorsque vous redressez le dossier, veillez à ce que les deux leviers soient bien enclenchés (Fig. 6.25/6.26).

⚠ AVERTISSEMENT !

- Risque de blessure : Faites attention de ne pas vous coincer les doigts lorsque vous retournez le mécanisme.

⚠ ATTENTION !

Si vous avez modifié le centre de gravité, tenez-en compte lors du réglage de l'inclinaison du dossier, de la tension des lanières du dossier ou de la hauteur du dossier. Le fauteuil doit rester stable pour éviter tout risque de basculement. L'ajout de roulettes anti-basculer doit être envisagé.



Dossier cassant

Dépliage du dossier :

Pour redresser le dossier, poussez les poignées vers le haut et vers l'avant jusqu'à ce qu'elles s'enclenchent, (Fig. 6.27).



AVERTISSEMENT !

Tenez vos doigts et tout autre objet éloignés du mécanisme pliant lorsque vous pliez le dossier afin d'éviter toute blessure ou endommagement.

Pliage du dossier :

Le dossier peut être plié afin de faciliter l'entreposage du fauteuil, (Fig. 6.28).



ATTENTION !

Ne pliez pas le dossier lorsque l'utilisateur est appuyé contre car cela pourrait endommager le levier.

Pour plier le dossier, tenez-vous derrière le fauteuil et appuyez sur les deux petits leviers (Fig. 6.26) situés de chaque côté du dossier (juste au-dessus des accoudoirs). Abaissez le dossier.

Tendeur de dossier

Tendeur de dossier pliant

Cette barre permet de stabiliser le dossier.

Pour plier le fauteuil, enfoncez le levier de déverrouillage vers l'intérieur (Fig. 6.29), puis relâchez-le, et abaissez le tendeur de dossier. Lorsque vous dépliez le fauteuil, pensez à bien remettre le tendeur de dossier en place.



Appui-têtes

Appui-têtes

Vous pouvez régler la hauteur de l'appui-tête (Fig. 6.30) et l'incliner vers l'avant ou l'arrière.

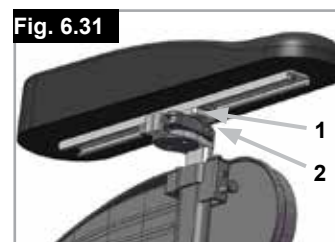
Pour cela, desserrez la vis correspondante (1,2 ou 3) et réglez à la position désirée. Revissez les vis (Voir la section sur la force de torsion).



Options – Accoudoirs pour personne hémiplégique

ACCOUDOIR HÉMIPLÉGIQUE

Il est possible de régler la longueur et l'angle d'inclinaison de l'accoudoir hémiplégique. Après avoir desserrées les 2 vis (1) vous pouvez régler la longueur en appuyant sur l'accoudoir. Pour régler l'angle, ouvrez le levier de déverrouillage (2), pivotez l'accoudoir à la position désirée, puis refermez le levier (Fig. 6.31).



Protège-vêtements

Accoudoirs, escamotable, amovible avec manchettes courtes ou longues, réglables en hauteur (Fig. 6.32 - 6.33)

La hauteur des accoudoirs se règle de la façon suivante : Glissez le bouton (1) au maximum vers l'avant. Réglez l'accoudoir (2) à la hauteur désirée. Glissez le bouton vers l'arrière et enfoncez l'accoudoir (2) jusqu'à ce que vous entendiez un clic. Vérifiez toujours que le protège-vêtement soit bien enclenché. Pour relever l'accoudoir, soulevez la poignée (3) de sorte à déverrouiller le protège-vêtement.

AVERTISSEMENT !

Ne jamais soulever le fauteuil par les accoudoirs ou les protège-vêtements.



Accoudoir réglable en hauteur avec outil

Installation : Glissez le montant dans le tube de logement jusqu'à ce qu'il heurte le fond

Réglage de la hauteur :

Glissez le montant hors du tube de logement. Réglez la position de la bague de réglage de la hauteur (1). Retirez pour cela la vis (2) et déplacez la bague à la position désirée. Remettez la vis et resserrez-la. Glissez à nouveau le montant dans le tube de logement, (Fig. 6.34).

Position de la manchette :

Réglez la position de la manchette. Desserrez pour cela les vis (3), puis déplacez la manchette à la position désirée. Resserrez les vis (Fig. 6.25).

Réglage du tube de logement de l'accoudoir

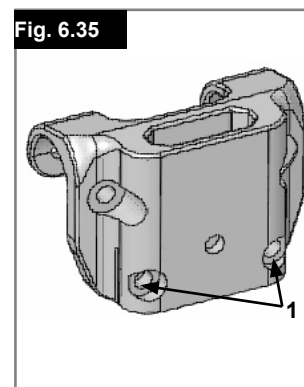
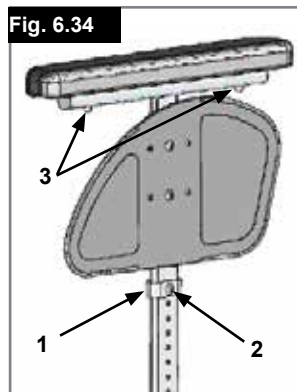
Vous pouvez régler le degré de serrage du tube de logement de l'accoudoir au moyen des 2 vis (1) - (Fig. 6.35).

Protège-vêtement avec garde-boue (Fig. 6.36)

Le garde-boue empêche les vêtements d'être salis par les projections d'eau. Vous pouvez régler la position par rapport à la roue arrière en déplaçant le protège-vêtement. Pour cela, retirez les vis de fixation (1 et 2). Après avoir réglé le protège-vêtement à la position désirée, resserrez les vis (reportez-vous à la page des couples de serrage).

AVERTISSEMENT !

Ne jamais soulever le fauteuil par les accoudoirs ou les protège-vêtements



Accoudoirs réglables à montant unique, (Fig. 6.37 - 6.40).

⚠ AVERTISSEMENT !

Ne jamais soulever le fauteuil par les accoudoirs ou les protège-vêtements.

1. Installation

- Faites glisser le montant de l'accoudoir dans le récepteur monté sur le châssis du fauteuil.
- L'accoudoir s'enclenche automatiquement.

2. Réglage de la hauteur

- Tournez le levier de réglage de la hauteur (2) jusqu'au deuxième point d'arrêt.
- Levez ou abaissez la manchette à la hauteur désirée.
- Refermez le levier en position verrouillée d'origine.
- Appuyez sur la manchette (4) jusqu'à ce que le montant s'enclenche en position et émette un clic.

3. Retrait de l'accoudoir

- Activez le levier 3 et soulevez l'accoudoir complet.

4. Insertion de l'accoudoir

- Enfoncez le montant de l'accoudoir dans le récepteur, jusqu'à ce qu'il s'enclenche et émette un clic.

Montage des éléments composant le support de l'accoudoir

Réglage du jeu du récepteur de l'accoudoir

Pour réduire ou élargir le jeu intérieur du support de l'accoudoir :

- Desserrez les quatre vis (D) situées sur le côté du support.
- Laissez le montant de l'accoudoir dans le tube récepteur (E) et ajustez le serrage jusqu'à obtention du réglage souhaité.
- Resserrez les quatre vis (D). (144 pouces / lbs, 16,3 Nm)

Réglage de la position

- Dévissez les deux vis de serrage (10) jusqu'à ce que la mâchoire soit desserrée.
- Régler le tube récepteur de l'accoudoir à la position désirée.
- Revissez.

1. Montant de l'accoudoir

2. Levier de réglage de la hauteur

3. Levier de verrouillage

4. Manchette de l'accoudoir

5. Barre de transfert

6. Protège-vêtement

7. Récepteur

8. Mâchoire de réglage

9. Vis de réglage du récepteur d'accoudoir

10. Vis de serrage

Fig. 6.37

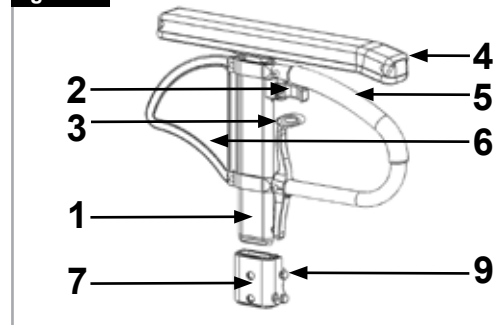


Fig. 6.38

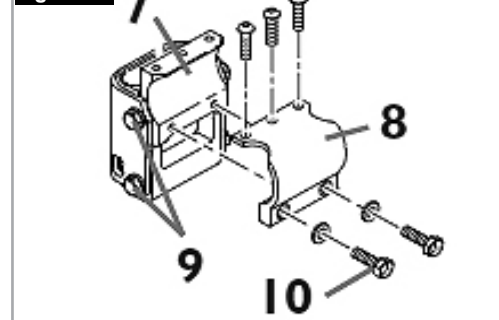


Fig. 6.39

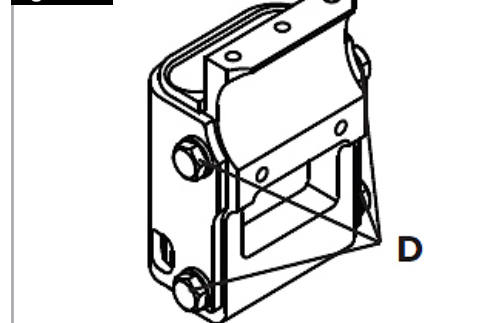
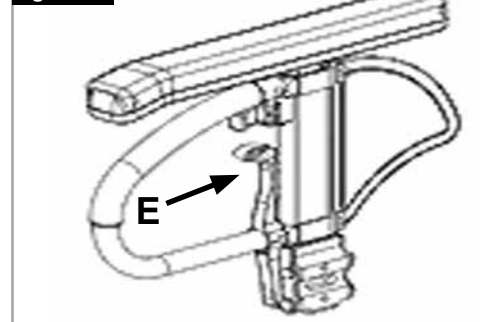


Fig. 6.40



Options – Manipulation d'une seule main

Manipulation d'une seule main

(Fig. 6.41 - 6.41.1)

Pour faire avancer le fauteuil en ligne droite, vous devez utiliser les deux mains courantes simultanément.

Pour plier le fauteuil, libérez la barre télescopique en enfonçant le bouton vers l'intérieur (1). Pour déposer les roues, tirez le bouton de libération 2.

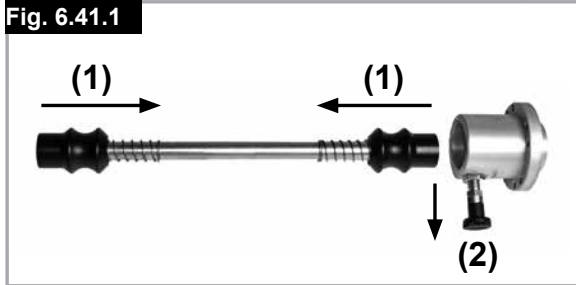
ATTENTION !

Vérifiez toujours les branchements afin d'éviter tout risque d'accident.

Fig. 6.41



Fig. 6.41.1



Poignées de poussée

Poignées de poussée réglables en hauteur (Fig. 6.43)

Les poignées sont maintenues en place par des goupilles qui les empêchent de sortir accidentellement. En ouvrant le levier de serrage, il est possible de régler la hauteur des poignées de poussée en fonction de vos besoins. Lors de l'enclenchement du levier, un clic vous indiquera que vous pouvez mettre aisément la poignée à pousser dans la position souhaitée. L'écrou du levier de serrage détermine le serrage au niveau du support de la poignée de poussée. Après enclenchement du levier, si l'écrou est desserré, la poignée sera lâche. Avant utilisation, vérifiez que le serrage est suffisant en faisant pivoter latéralement la poignée. Après avoir réglé la hauteur de la poignée, serrez fermement le levier de serrage. Quand le levier de serrage n'est pas serré, cela peut occasionner des blessures lors de la montée d'escaliers.

Fig. 6.43



Tablette

Tablette

(Fig. 6.42)

La tablette sert de surface pour diverses activités. Le revendeur doit procéder à un réglage unique de la tablette en fonction de la largeur du siège. Lors du test de fonctionnement, l'utilisateur doit prendre place à bord du fauteuil.

Poignée de poussée

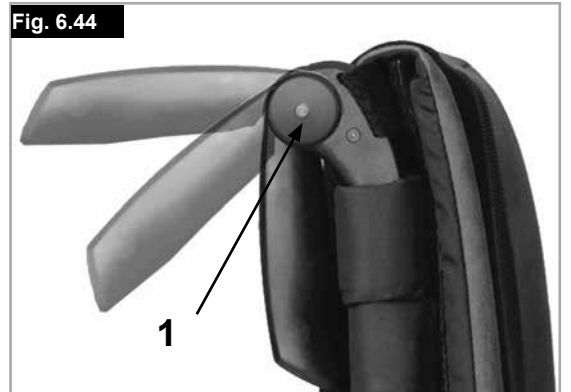
Poignées de poussée escamotables (Fig. 6.44)

Lorsqu'elles ne sont pas utilisées, les poignées peuvent être rabattues à l'aide d'un bouton poussoir (1). Dépliez-les jusqu'à ce qu'elles soient encliquetées avant de les utiliser.

Fig. 6.42



Fig. 6.44



Roulettes anti-bascule

Roulettes anti-bascule (Fig. 6.45)

Les roulettes anti-bascule (1) assurent aux utilisateurs inexpérimentés une sécurité renforcée pendant l'apprentissage de leur fauteuil. Les roulettes anti-bascule (1) empêchent le fauteuil de basculer vers l'arrière. Vous pouvez rabattre la roulette anti-bascule (1) vers le bas en appuyant dessus ou la faire pivoter vers l'extérieur. Respectez l'écart de 30 à 50mm entre les roulettes et le sol. Pour franchir ou descendre un obstacle (comme un trottoir par exemple), les roulettes anti-bascule doivent être relevées pour éviter qu'elles ne touchent le sol.

AVERTISSEMENT !

Un mauvais réglage des roulettes anti-bascule augmente le risque pour le fauteuil de basculer en arrière.

Porte-canne

Porte-canne (Fig. 6.46)

Le porte-canne vous permet de toujours transporter votre canne avec vous. Une bande Velcro sert à fixer la canne ou tout autre système d'aide à la marche.

ATTENTION !

Ne tentez jamais d'utiliser / de retirer la canne ou tout autre système d'aide à la marche pendant le déplacement du fauteuil.

Fig. 6.45



Fig. 6.46



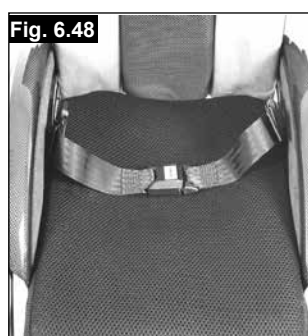
Ceinture pelvienne

DANGER !



- Avant d'utiliser votre fauteuil roulant assurez-vous que la ceinture sous-abdominale soit mise.
- La ceinture sous-abdominale doit être contrôlée quotidiennement
- afin de s'assurer que son fonctionnement n'est pas altéré par des éléments divers ou par l'usure.
- Toujours vérifier que la ceinture sous-abdominale est bien fixée et correctement réglée avant d'utiliser le fauteuil. Une sangle trop lâche peut entraîner le glissement de l'utilisateur et causer un risque de suffocation ou des blessures graves.

La ceinture sous-abdominale est fixée sur le fauteuil comme représenté dans l'illustration. La ceinture de sécurité se compose de 2 moitiés. Elles sont installées en utilisant le boulon de maintien existant du siège fixé à travers l'œillet de la ceinture. La ceinture est passée sous l'arrière du panneau latéral. (Fig. 6.47)

Ajustez la position de la ceinture afin que les attaches soient au centre du siège. (Fig. 6.48)



Ajustez la ceinture sous-abdominale afin de convenir aux besoins de l'utilisateur comme ci-après :

Pour réduire la longueur de la ceinture	Pour augmenter la longueur de la ceinture
	
<p>Passez la ceinture par l'attache male et le dispositif de réglage coulissant. Assurez-vous que la ceinture n'ait pas de nœud au niveau de l'attache male.</p>	<p>Passez la ceinture par les dispositifs de réglage coulissant et l'attache male afin d'obtenir plus de longueur de ceinture.</p>

Une fois la ceinture attachée, vérifiez l'espace entre la ceinture pelvienne et l'utilisateur : Si la ceinture est correctement réglée, vous pouvez passer la main à plat entre la ceinture sous-abdominale et l'utilisateur. (Fig. 6.49)

La ceinture sous-abdominale doit être fixée de façon à ce que la ceinture soit à un angle de 45 degrés au travers du bassin de l'utilisateur. L'utilisateur doit être bien droit et le plus à l'arrière possible dans le siège quand réglée correctement. La ceinture sous-abdominale ne doit pas permettre à l'utilisateur de glisser du siège. (Fig. 6.50)




Pour attacher la ceinture :
Poussez l'attache male de façon ferme dans l'attache femelle.

Pour retirer la ceinture :
Appuyez sur les parties exposées de l'attache male vers le centre tout en tirant doucement pour les séparer.

AVERTISSEMENT !

- Si vous avez des doutes au sujet de l'utilisation et de la manipulation de la ceinture demandez l'assistance de votre professionnel de la santé, de votre fournisseur du fauteuil roulant, de votre aide-soignant ou de votre tierce personne.
- Pour installer une ceinture sous-abdominale, contactez votre revendeur agréé Sunrise Medical.
- La ceinture sous-abdominale doit être contrôlée quotidiennement afin de s'assurer que l'ajustement est correct et que son fonctionnement n'est pas altéré par des éléments divers ou par l'usure.
- Sunrise Medical déconseille le transport de toute personne dans un véhicule utilisant la ceinture sous-abdominale en tant que moyen de retenue.

 Veuillez consulter la brochure du transit Sunrise Medical afin d'obtenir des conseils sur le transport des personnes.

Entretien :

Vérifiez régulièrement l'état de la ceinture et des composants de retenue afin de détecter l'apparition d'éventuels signes d'endommagement ou de déchirure. Remplacez la ceinture, si nécessaire.

AVERTISSEMENT

La ceinture sous-abdominale doit être réglée de façon à s'adapter à l'utilisateur comme détaillé ci-dessus. Sunrise Medical recommande que la longueur et l'ajustement de la ceinture soient vérifiés régulièrement afin de réduire les risques de réajustement de la ceinture à une longueur excessive causés par inadvertance par l'utilisateur final.

Roulettes de transit

Roulettes de transit (Fig. 6.51)

Il faut utiliser les roulettes de transit partout où le fauteuil est trop large à cause de ses roues arrière. Quand les roues arrière sont retirées grâce à l'axe à déverrouillage rapide, on peut continuer à rouler sur les roulettes de transit. Ces roulettes sont montées de manière à être environ 30 mm au-dessus du sol quand elles ne sont pas utilisées. Elles ne créent de ce fait aucune gêne pour avancer, et lors du transport ou du basculement.

ATTENTION !

Sans ses roues arrière, votre fauteuil n'a pas de freins d'immobilisation.



7.0 Pneus et montage des pneus

Le fauteuil est équipé de série de pneus à bandage en caoutchouc.

Avec des pneus à chambre à air, veillez à toujours avoir la bonne pression, à défaut de quoi la performance du fauteuil pourrait être affectée. Quand la pression est insuffisante, il faut dépenser plus d'énergie car la résistance du fauteuil est très élevée. La maniabilité du fauteuil en est réduite. Le pneu peut éclater si la pression est trop élevée. La pression correcte est indiquée sur la surface du pneu.

Les pneus se montent comme des pneus de vélo ordinaires. Avant de remplacer la chambre à air, inspectez la jante et la paroi interne du pneu et enlevez tout éventuel corps étranger. Vérifiez la pression des pneus après le montage ou la réparation. Il est important pour votre propre sécurité et pour une bonne performance de votre fauteuil de vérifier la pression de l'air régulièrement et de maintenir les pneus en bon état.

8.0 Plaque signalétique

Plaque signalétique

La plaque signalétique se trouve sur les tubes du croisillon, ainsi que sur une étiquette dans le manuel d'utilisation. La plaque indique la dénomination exacte du modèle et fournit diverses informations techniques. Pour une commande de pièces de rechange ou une réclamation, indiquez SVP les informations suivantes :

- Numéro de série
- Numéro de commande
- Mois/année

ECHANTILLON

	SUNRISE MEDICAL		Sunrise Medical GmbH Kahlbachring 2-4 D-69254 Malsch / Germany		2021-06-23
TYPE:		Rollstuhl	SN	203211733451939	
Easy Life		ISO 7176-19:2008			
	140 kg		max 10°		460 mm
					440 mm

TYPE:	Désignation du produit/Numéro de SKU.
	Pente maximale pouvant être abordée par le fauteuil équipé de roulettes anti-basculer. Dépend de la configuration du fauteuil, de la posture et des capacités physiques de l'utilisateur.
	Largeur du siège.
	Profondeur (maximale).
	Charge maximale
	Marquage UKCA.
	Marquage CE.
	Veillez prendre connaissance des consignes d'utilisation
	XXXX-XX-XX Date de fabrication..
	Numéro de série.
	Ce symbole signifie dispositif médical.
	Coordonnée du fabricant
	Fait l'objet d'essais de collision conformément à la norme ISO 7176-19:2008.
	Adresse de l'importateur
	Personne responsable au Royaume-Uni
	Adresse du représentant en Suisse

9.0 Maintenance et entretien

- Si votre fauteuil est humide, séchez-le SVP après utilisation.
- Tous les deux mois environ, appliquez une petite quantité d'huile pour machine à coudre sur les axes à libération rapide. Suivant l'utilisation que vous faites de votre fauteuil, nous vous recommandons de demander à votre revendeur d'effectuer un contrôle de votre fauteuil tous les 6 mois.
- Si vous souhaitez entreposer le fauteuil pendant une période prolongée, aucune mesure supplémentaire n'est requise. Veillez à entreposer le fauteuil roulant à température ambiante dans un endroit sec, à l'abri du soleil. Avant de le réutiliser, le fauteuil roulant doit faire l'objet d'une révision effectuée par un revendeur agréé.

ATTENTION !

Le sable et l'eau de mer (les projections de sel en hiver) endommagent la suspension des roues avant et des roues arrière. Nettoyez bien le fauteuil s'il a été exposé à ces éléments.

Les pièces suivantes sont amovibles et peuvent être renvoyées au fabricant/revendeur pour être réparées :

- Roues arrière
- Accoudoir
- Roulettes anti-basculer

Ces composants sont disponibles comme pièces détachées. Pour de plus amples informations, consultez le catalogue des pièces détachées.

Mesure d'hygiène en cas de cession du fauteuil :

Avant de laisser une autre personne utiliser le fauteuil, il convient de l'approprier soigneusement. Toutes les surfaces entrant en contact avec le nouvel utilisateur doivent être désinfectées.

Pour ce faire, vous devez utiliser un désinfectant figurant dans la liste des produits homologués / recommandés dans votre pays, pour une désinfection rapide à base d'alcool pour produits et appareils médicaux nécessitant d'être désinfectés rapidement.

Veillez prendre connaissance des instructions du fabricant du produit désinfectant utilisé.

En règle générale, une désinfection totale ne peut être garantie sur les coutures. Par conséquent et conformément à la réglementation locale relative à la protection contre les infections, il est recommandé de mettre au rebut la toile de l'assise et du dossier afin d'éviter toute contamination microbactérienne par les agents actifs.

Consignes d'hygiène avant réutilisation :

Veillez à toujours approprier le fauteuil soigneusement avant de le réutiliser et à désinfecter toutes les surfaces susceptibles d'entrer en contact avec l'utilisateur.

Pour un nettoyage rapide, vous pouvez utiliser un désinfectant à base d'alcool, similaire à ceux utilisés pour les produits et les instruments médicaux.

Suivez bien les consignes du fabricant du désinfectant de votre choix.

10.0 Dépannage

Le fauteuil tire sur le côté

- Vérifiez la pression des pneus
- Vérifiez que la roue tourne librement (roulements, axe)
- Vérifiez l'angle des roues avant
- Vérifiez que les deux roues avant sont en contact avec le sol

Les roues avant oscillent

- Vérifiez l'angle des roues avant
- Vérifiez que les visseries sont fixes, resserrez-les le cas échéant (voir la page des couples de serrage)
- Vérifiez que les deux roues avant sont en contact avec le sol

Le fauteuil grince et cliquette

- Vérifiez que les visseries sont fixes, resserrez-les le cas échéant (voir la page des couples de serrage)
- Appliquez une faible quantité de lubrifiant aux endroits où les pièces amovibles entrent en contact les unes avec les autres

Le fauteuil a du jeu

- Vérifiez l'angle des roues avant
- Vérifiez la pression des pneus
- Regardez si les roues arrière sont réglées de différente manière

11.0 Mise au rebut / Recyclage des matériaux

REMARQUE : Si ce fauteuil vous a été remis gratuitement, il pourrait ne pas vous appartenir. Si vous n'en avez plus usage, respectez les consignes énoncées par l'organisme qui vous l'a fourni afin de le lui rendre.

Les informations suivantes décrivent les différents matériaux composant le fauteuil en vue de la mise au rebut ou du recyclage du fauteuil et de ses matériaux d'emballage. Vous devez respecter toute réglementation spécifique en vigueur dans votre localité relative à la mise au rebut et au recyclage (notamment le nettoyage ou la décontamination du fauteuil roulant avant sa mise au rebut).

Aluminium : Fourches, roues, protège-vêtement, accoudoirs, châssis, repose-jambes, poignées de poussée

Acier : Fixations, axes à déverrouillage rapide

Plastique : Poignées, capuchons des tubes, roues avant, palettes, manchettes et roue/pneu de 12 pouces

Emballage : Sachet en polyéthène de faible densité, carton.

Garniture : Polyester tissé à revêtement PVC et mousse expansée à combustion modifiée.

La mise au rebut ou le recyclage doit être assuré par un agent spécialisé ou une décharge agréée. Vous pouvez également renvoyer votre fauteuil roulant à votre revendeur qui se chargera de sa mise au rebut.



12.0 Caractéristiques techniques

Caractéristiques techniques

Largeur totale :

Avec roues standard, main-courante, montage étroit :

- Avec l'accoudoir relevable : LS + 200 mm
- Avec le protège-vêtement en aluminium : LS + 180 mm
- avec le garde-boue en composite : LS + 190 mm
- Avec la main-courante montage ultra étroit, la largeur totale est réduite de 20 mm

Dimensions du fauteuil plié :

- Avec roues arrière, environ 300 mm
- Sans roue arrière, environ 250 mm

Poids en kg :

- Transport (sans repose-pied, roues, protection latérale) 7 kg
- Repose-pied (unité) 0,8 kg
- Protège-vêtement (unité) 1,3 kg
- Roues (unité) 2,2 kg

Poids maximum de l'utilisateur :

- Easy Life jusqu'à 140 kg
(essai de collision jusqu'à 136 kg)

REMARQUES SUPPLÉMENTAIRES

Conformément à la norme EN12183 : 2009, toutes les pièces mentionnées dans le présent manuel (toile du siège/dossier, manchette, protège-vêtement...) sont résistantes au feu (norme EN1021-2).

⚠ AVERTISSEMENT !

Le degré d'inclinaison maximum des pentes dépend de la configuration du fauteuil, des capacités de l'utilisateur et du style de conduite. Les capacités de l'utilisateur et son style de conduite ne pouvant être prédéfinis, le degré d'inclinaison maximum des pentes ne peut être déterminé. Il revient donc à l'utilisateur, assisté de son accompagnateur, de déterminer l'inclinaison maximale afin d'éviter tout risque de basculement. Il est vivement recommandé d'installer des roulettes anti-basculer pour les utilisateurs inexpérimentés.

Le fauteuil est conforme aux normes suivantes :

- a) Exigences et méthodes d'essai pour la résistance statique, la résistance aux chocs et la résistance à la fatigue (ISO 7176-8)
- b) Exigences en matière de résistance à l'inflammation des parties rembourrées conformément à ISO 7176-16 (EN 1021-1)

Fig. 35

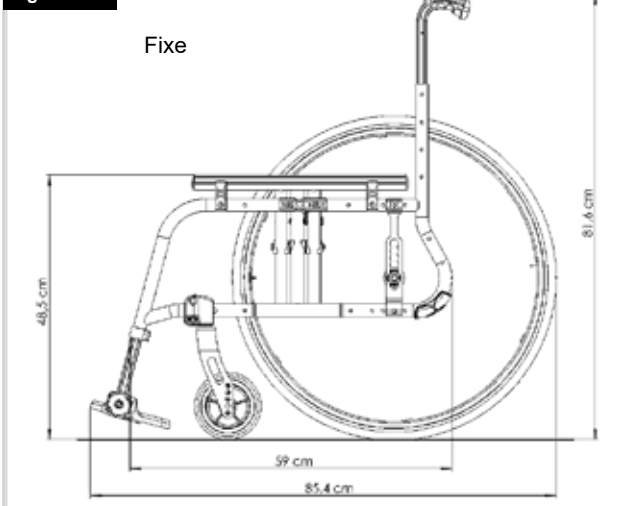
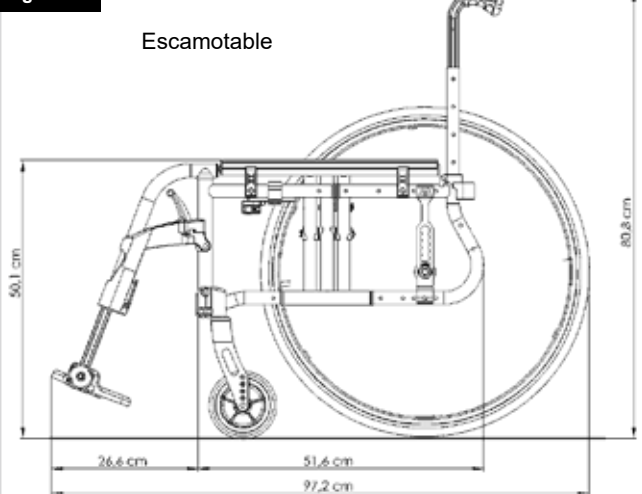


Fig. 36



Inhoudsopgave

Koppel	7
Definities	54
Voorwoord	55
Gebruik	56
Toepassingen	56
1.0 Algemene veiligheidstips en rijbeperkingen	57
2.0 Garantie	59
3.0 Transport	60
4.0 Gebruik	62
5.0 Transport van de rolstoel	62
6.0 Opties	63
Remmen	63
Trapdop	64
Voetensteunen	64
Zwenkwiel	66
Asplaat (zwaartepunt)	66
Camber	66
Rugleuning	67
Neerklapbare rugleuning	68
Stabilisatiestang	68
Hoofdsteunen	68
Opties – Armsteun, hemiplegie	68
Zijkanten	69
Opties – One-arm-drive	71
Werkblad	71
Duwhandvatten	71
Duwhandvat	71
Anti-tip wielen	72
Krukkenhouder	72
Heupgordel	73
Transitwielen	74
7.0 Banden en montage	74
8.0 Sticker	74
9.0 Algemeen onderhoud	75
10.0 Mogelijke problemen	75
11.0 Afvalverwerking / recycling van materialen	75
12.0 Technische specificaties	76

OPMERKING:

De getoonde en beschreven rolstoelen in deze gebruikershandleiding kunnen op sommige punten van uw eigen model afwijken. Alle instructies zijn echter belangrijk, ongeacht de verschillen in detail.

De fabrikant houdt zich het recht voor zonder opgaaf gegevens met betrekking tot gewicht, maten of andere technische gegevens zoals genoemd in deze handleiding, te wijzigen. Alle afbeeldingen, maten en mogelijkheden zoals getoond in deze handleiding zijn slechts indicatief en bevatten geen specificaties.

Definities

3.1 Betekenis van woorden die in deze handleiding worden gebruikt.

Woord	Betekenis
 GEVAAR!	De gebruiker wordt geattendeerd op de kans op ernstig letsel of overlijden indien het advies niet wordt opgevolgd.
 WAARSCHUWING!	De gebruiker wordt geattendeerd op de kans op letsel indien het advies niet wordt opgevolgd.
 OPGELET!	De gebruiker wordt geattendeerd op de kans op schade aan de apparatuur indien het advies niet wordt opgevolgd.
OPMERKING:	Algemeen advies of beste gebruik
	Verwijzing naar aanvullende documentatie
	Massief
	Zachte banden
	Past niet

OPMERKING:

Noteer het adres en telefoonnummer van uw plaatselijke dealer in de daarvoor bestemde ruimte. Neem in het geval van storingen contact met de dealer op en probeer zoveel mogelijk relevante informatie te geven zodat hij u snel kan helpen.

Stempel en handtekening dealer

Voorwoord

Beste klant,

Wij zijn erg blij dat u gekozen hebt voor een kwalitatief hoogstaand SUNRISE MEDICAL-product.

In deze gebruikshandleiding vindt u tal van tips en ideeën waarmee u van uw nieuwe rolstoel een betrouwbare partner in uw leven kunt maken.

Wij van Sunrise vinden het heel belangrijk om goede banden met onze klanten te onderhouden. Daarom willen wij u op de hoogte houden van de huidige en de nieuwe ontwikkelingen in ons bedrijf. Een goede band met onze klanten betekent ook: snelle service, uitstekende toegankelijkheid en nauwe samenwerking met onze klanten. Wanneer u vervangende onderdelen of accessoires nodig hebt, of een vraag over uw rolstoel hebt, staan wij voor u klaar.

Wij willen dat u tevreden bent over onze producten en diensten. Bij Sunrise werken we voortdurend aan verdere ontwikkeling van onze producten. Dat maakt dat de vorm, de technologie en de uitrusting van onze producten kan veranderen. Er zijn dan ook geen juridische vorderingen mogelijk op basis van de gegevens of de afbeeldingen in deze gebruikershandleiding.

De verwachte levensduur van het product is vijf jaar.

Het managementsysteem van SUNRISE MEDICAL is gecertificeerd en voldoet aan de ISO 13485 en ISO 14001 normen.

 **SUNRISE MEDICAL verklaart als fabrikant dat dit product voldoet aan de EU-verordening Medische hulpmiddelen (Medical Device Regulation, MDR) (2017/745).**

OPMERKING:

Algemeen advies.

Wanneer deze instructies niet worden opgevolgd, kan dit leiden tot fysiek letsel, schade aan het product of schade aan de omgeving!

Een mededeling aan de gebruiker en/of patiënt: Als dit product betrokken was bij een ernstig incident, dient dit aan Sunrise Medical en de bevoegde autoriteit van de Lidstaat waarin de gebruiker en/of patiënt is gevestigd, te worden gemeld.

Built-4-Me speciale aanpassingen

Sunrise Medical adviseert nadrukkelijk alle bij uw Built-4-Me product meegeleverde gebruikersinformatie zorgvuldig door te lezen voordat u het product voor het eerst gebruikt. Alleen wanneer u de gebruiksaanwijzingen volledig hebt doorgelezen en begrijpt, bent u ervan verzekerd dat het Built-4-Me product functioneert en presteert zoals de fabrikant dit heeft bedoeld.

Sunrise Medical adviseert tevens de gebruikersinformatie na het lezen niet weg te gooien, maar het veilig op te bergen, zodat u de informatie later nog eens kunt doornemen.

Combinaties van medische hulpmiddelen

Het is eventueel mogelijk om dit medische hulpmiddel met één of meerdere andere medische hulpmiddelen of een ander product te combineren. Kijk voor informatie over mogelijke combinaties op www.Sunrisemedical.nl. Alle op de lijst vermelde combinaties zijn gevalideerd om te voldoen aan de Algemene veiligheids- en prestatievereisten, Bijlage I nr. 14.1 van de MDR - Verordening voor Medische hulpmiddelen (2017/745).

Richtlijnen voor de combinatie, zoals de bevestiging, vindt u op www.SunriseMedical.nl

Heeft u vragen over het gebruik, het onderhoud of de veiligheid van uw rolstoel, neem dan contact op met uw plaatselijke erkende dealer van SUNRISE MEDICAL.

Als er in uw regio geen erkende dealer gevestigd is, of als u vragen hebt over productveiligheid of het terugroepen van producten, kunt u schriftelijk of telefonisch contact opnemen met Sunrise Medical, of de informatie vinden op www.sunrisemedical.nl.

Sunrise Medical B.V.
Groningenhaven 18-20
3433 PE NIEUWEGEIN
The Netherlands
T: +31 (0)30 – 60 82 100
E: info@sunrisemedical.nl
www.SunriseMedical.nl



GEBUIK UW ROLSTOEL NIET TOT U DEZE GEBUIKSAANWIJZING HEEFT GELEZEN EN BEGREPEN.

Gebruik

Rolstoelen zijn uitsluitend bedoeld voor kinderen en volwassenen die niet kunnen lopen of verminderd mobiel zijn. De rolstoel is bedoeld voor persoonlijk gebruik, zowel binnens- als buitenshuis en kan zelfbewegend zijn of worden voortbewogen door een begeleider.

Het maximale gewicht dat de stoel kan dragen staat vermeld bij het serienummer; dit vindt u aan de kruisstang of stabiliseerstang onder de zitting. Het maximale gewicht is het totale gewicht van de gebruiker en de op de rolstoel gemonteerde accessoires.

Aansprakelijkheid wordt uitsluitend geaccepteerd indien het product wordt gebruikt onder die specifieke omstandigheden en voor het doel waarvoor het product is gemaakt.

De verwachte levensduur van de rolstoel is vijf jaar.

Monteer of gebruik GEEN onderdelen van andere partijen op de rolstoel, tenzij deze officieel goedgekeurd zijn door Sunrise

Medical.

GEVAAR!

- Monteer nooit niet-erkend elektrisch apparatuur.
- Monteer geen elektrisch aangedreven, of mechanisch functionerende mobiliteitshulpmiddelen, aandrijfmiddelen, handbikes of andere mechanismen waardoor het bedoelde gebruik of de structuur van de rolstoel wordt gewijzigd.
- Voor iedere combinatie met andere medische hulpmiddelen is rechtstreekse goedkeuring van Sunrise Medical nodig.

Toepassingen

Indicaties

De keuze aan beschikbare accessoires en het modulaire ontwerp betekenen dat de rolstoel kan worden gebruikt door personen die niet kunnen lopen of beperkt mobiel zijn vanwege:

- Verlamming
- Amputatie (van been of benen)
- Disfunctioneren of misvorming van been of benen
- Contractuur van/letsel aan gewrichten
- Ziektes zoals hart- en vaatziekten, evenwichtsstoornissen of cachexie, neurologische aandoeningen, spierdystrofie, hemiplegie, evenals voor oudere mensen die nog kracht in het bovenlichaam hebben.

Contra-indicaties

De rolstoel mag niet zonder begeleider worden gebruikt bij:

- Waarnemingsstoornissen
- Evenwichtsstoornissen
- Verlies van beide armen, indien niet door een zorgverlener begeleid
- Gewrichtscontractuur of beschadiging van gewrichten in beide armen
- Onvermogen om te zitten

NB: het besturen van een rolstoel vereist voldoende cognitieve, fysieke en visuele vaardigheden. De gebruiker moet in staat zijn de effecten van handelingen tijdens het gebruik van de rolstoel te beoordelen en deze zo nodig te corrigeren. Deze vermogens en het veilige gebruik van aanvullend bevestigde onderdelen kunnen niet door Sunrise Medical als fabrikant worden beoordeeld. We kunnen geen aansprakelijkheid voor schade als gevolg hiervan accepteren.

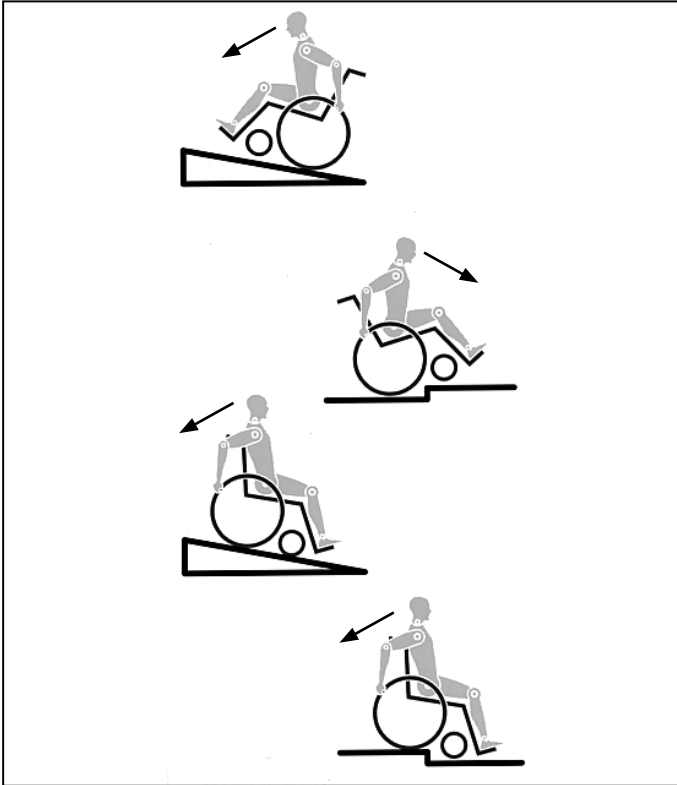
Lees de gebruiksaanwijzing van de rolstoel en de aanvullend aangebrachte onderdelen door. Instrueer de gebruiker over het veilige gebruik van de rolstoel en de aanvullend bevestigde onderdelen. Informeer gebruikers over specifieke waarschuwingen die gelezen, begrepen en gerespecteerd moeten worden.

Wanneer levering/aanschaf van een rolstoel wordt overwogen, neem dan de volgende zaken in overweging: lichaamsgrootte, gewicht, fysieke en psychische toestand, leeftijd, leefomstandigheden en -omgeving.

Gebruiksvoorwaarden

De rolstoel kan zowel binnen als buiten worden gebruikt op droge, relatief gladde ondergrond; zowel met de instelling voor voortbeweging door de gebruiker zelf, of door een begeleider. Het wordt niet aanbevolen om de rolstoel te gebruiken tijdens storm, zware regenval, sneeuw en ijs, of andere extreme weersomstandigheden.

1.0 Algemene veiligheidstips en rijbeperkingen



De techniek en constructie van deze rolstoel zijn ontworpen voor het bieden van maximale veiligheid. Aan de momenteel van kracht zijnde internationale veiligheidsnormen is voldaan en zij zijn overtroffen. Toch kunnen gebruikers zichzelf in gevaar brengen door onjuist gebruik van hun rolstoel. Voor uw eigen veiligheid moeten de volgende regels absoluut worden opgevolgd.

Onprofessionele of foutieve aanpassingen of instellingen kunnen de kans op ongelukken vergroten. Als rolstoelgebruiker maakt u, net als andere weggebruikers, deel uit van het dagelijkse verkeer op straten en trottoirs. Wij herinneren u er aan dat u daardoor ook onderworpen bent aan alle verkeerswetgeving. Wees voorzichtig tijdens uw eerste rit in deze rolstoel. Leer uw rolstoel kennen.

Voor elk gebruik, moet het volgende worden gecontroleerd:

- Quick release assen op de achterwielen
- Velcro op de zittingen en rugleuningen
- Banden, bandendruk en parkeerremmen.

Alvorens aanpassingen van deze rolstoel te wijzigen, is het belangrijk het bijbehorende deel van de gebruiksaanwijzing te lezen.

Het is mogelijk dat de rolstoel door kuilen of oneffen oppervlakken kan kantelen, in het bijzonder wanneer heuvel op of af wordt gereden. Wanneer over een trede of helling op wordt gereden, moet het lichaam naar voren zijn gebogen.

GEVAAR!

- Overschrijd **NOOIT** de maximale belasting van 140 kg (136 kg in crashtest); dit gewicht geldt voor de gebruiker plus artikelen die worden meegenomen op de rolstoel. Let op de informatie betreffende gewichten voor de lichtgewichtopties. Deze worden apart vermeld. Als u de maximale belasting overschrijdt, kan dit leiden tot schade aan de stoel, of u kunt omvallen of omkantelen, de controle verliezen, wat ernstig letsel aan de gebruiker en andere personen tot gevolg kan hebben.
 - Draag lichte of reflecterende kleding wanneer u in het donker naar buiten gaat. Zo wordt u gemakkelijker gezien. Zorg ervoor dat de reflectoren op de zij- en achterkant van de rolstoel duidelijk zichtbaar zijn. Sunrise adviseert tevens gebruik te maken van verlichting.
- Om vallen en gevaarlijke situaties te voorkomen, is het verstandig om eerst met uw nieuwe rolstoel te oefenen op een vlakke ondergrond, bij goed zicht.
 - Gebruik de voetplaten niet als u in of uit de rolstoel stapt. Deze moeten van tevoren omhoog worden geklapt en zo ver mogelijk naar buiten worden gedraaid. Plaats uzelf altijd zo dicht mogelijk bij de plek waar u wilt gaan zitten.
 - Gebruik uw rolstoel alleen voor het daarvoor bestemde doel. Bijvoorbeeld, probeer niet tegen een obstakel op te rijden zonder te remmen (opstapje, trottoirrand) of verschillen in afstapjes.
 - De parkeerremmen zijn niet bedoeld om als rem voor uw rolstoel te dienen. Zij dienen er slechts voor om te voorkomen dat uw rolstoel onbedoeld begint te rollen. Wanneer u op een oneffen oppervlak stopt, dient u altijd uw parkeerremmen te gebruiken om weggrollen te voorkomen. Gebruik altijd beide parkeerremmen anders kan uw rolstoel kantelen.
 - Onderzoek het effect van het veranderen van het zwaartepunt op het gedrag van de rolstoel op bijvoorbeeld hellingen of wanneer u obstakels neemt. Doe dit met de hulp van een begeleider
 - Met extreme instellingen (bijv. achterwielen in de voorste positie) en minder dan perfecte houding, kan de rolstoel zelfs op een effen oppervlak omkantelen.
 - Leun met uw bovenlichaam naar voren als u hellingen en opstapjes opgaat.
 - Leun met uw bovenlichaam verder naar achteren, wanneer u van een helling of afstapje afgaat. Probeer nooit diagonaal een helling op of af te gaan.
 - Gebruik nooit een roltrap, aangezien u hier vanaf kunt vallen wat ernstig letsel kan veroorzaken.
 - Gebruik de rolstoel niet op hellingen steiler dan $> 10^\circ$. De werking van de Dynamic beveiliging hangt af van de instellingen van de stoel, de capaciteiten van de gebruiker en de rijstijl. Omdat Sunrise Medical vooraf niet kan voorzien hoe de capaciteiten en rijstijl van de gebruiker is, kan de maximale veilig te nemen helling niet worden bepaald. Daarom moet dit door de gebruiker worden bepaald, samen met een begeleider, die kan voorkomen dat de rolstoel kantelt. Sunrise Medical adviseert onervaren gebruikers veiligheidswielen te laten installeren.
 - Het is mogelijk dat de rolstoel door kuilen of oneffen oppervlakken kan kantelen, in het bijzonder wanneer heuvel op of af wordt gereden.
 - Gebruik de rolstoel niet op modderige of bevroren (gladde) ondergrond. Daar waar voetgangers niet zijn toegestaan, mag u ook niet met de rolstoel rijden.
 - Steek nooit uw handen tussen de spaken of tussen het achterwiel en wielvergrendeling terwijl u rijdt. Dit kan leiden tot letsel aan de handen.
 - Met name bij het gebruik van lichtgewicht hoepels, worden vingers gemakkelijk warm bij het remmen op hoge snelheid of op steile hellingen.
 - Door zijwaarts te rijden op een helling of glooiing, wordt de kans vergroot dat de rolstoel zijwaarts kantelt.
 - Gebruik geen trappen zonder de hulp van een begeleider. Er bestaan middelen om u te helpen, bijv. hellingen op te gaan of de lift te gebruiken. Wij raden u aan deze te gebruiken. Als deze niet beschikbaar zijn, dient de rolstoel naar achteren te worden gekanteld en over de treden te worden geduwd (2 helpers), maar mag nooit worden getild. Wij raden aan dat gebruikers die zwaarder dan 100 kg zijn deze manier om trappen te nemen, niet gebruiken.
 - Over het algemeen moeten anti-tip wielen vooraf zodanig worden ingesteld dat ze de treden niet kunnen raken, omdat dit tot een ernstige val zou kunnen leiden. Naderhand moeten de anti-tip wielen weer in de oude positie worden teruggebracht.
 - Zorg ervoor dat de begeleider de rolstoel alleen aan stevig bevestigde onderdelen vasthoudt (bijv. niet aan de voetsteunen of zijkant).
 - Deze rolstoel is niet ontworpen om te worden gebruikt tijdens gewichtstraining en/of tijdens het gebruik van halters. Gebruik uitsluitend middelen die specifiek voor dit doel zijn ontworpen.

- De stangen aan de achterzijde en de duwhendels zijn niet bedoeld om de stoel op te tillen of te dragen.
- Wanneer u de rolstoellift gebruikt, dient u ervoor te zorgen dat de aangebrachte anti-tip wielen buiten de gevarenzone zijn geplaatst.
- Gebruik de remvergrendeling om de stoel vast te zetten wanneer u zich op ongelijke grond bevindt of wanneer de rolstoel bijvoorbeeld in een auto wordt geplaatst.
- Wanneer gebruik wordt gemaakt van een speciaal voor gehandicaptenvervoer ingericht voertuig, dienen de personen die worden vervoerd, voor zover mogelijk, gebruik te maken van de stoelen van het voertuig en het juiste gordelsysteem. Alleen op deze wijze genieten de personen optimale bescherming indien een ongeluk plaatsvindt. Wanneer u de veiligheidselementen van SUNRISE MEDICAL en een speciaal ontwikkeld veiligheidssysteem gebruikt, kunnen lichtgewicht rolstoelen tijdens vervoer in een speciaal uitgerust voertuig als stoel worden gebruikt. (Zie het hoofdstuk over "Vervoer").
- Afhankelijk van de diameter en instelling van de zwenkwielen evenals de instelling van het zwaartepunt van de rolstoel, kunnen de zwenkwielen op hoge snelheid beginnen te trillen. Hierdoor kunnen de zwenkwielen geblokkeerd raken en kan de rolstoel omkantelen. Zorg er daarom goed voor dat de zwenkwielen goed zijn aangepast (zie het hoofdstuk "Zwenkwielen"). Rijd met name niet op een helling zonder remmen en rijd op lage snelheid. We raden aan dat nieuwe gebruikers anti-tip gebruiken.
- Met anti-tip kan de stoel niet onbedoeld achterover kantelen. Ze mogen in geen geval de transitwielen vervangen en gebruikt worden om een persoon in een rolstoel te vervoeren als de achterwielen zijn verwijderd.
- Wanneer u naar voorwerpen (die zich voor, aan de zijkant of achter de rolstoel bevinden) reikt, zorg er dan voor dat u niet te ver uit de rolstoel leunt, want als u het zwaartepunt verandert, bestaat het gevaar dat u omkantelt of omver rolt. Als u extra belasting (rugzak of gelijksoortige voorwerpen) aan de buizen van de rugleuning hangt, kan dit van invloed zijn op de stabiliteit aan de achterkant van uw stoel, vooral in combinatie met rugleuningen die achterover kunnen leunen. Hierdoor kan de stoel naar achteren kantelen en letsel veroorzaken.
- Aanpassingen aan uw rolstoel, en in het bijzonder aanpassingen aan onderdelen die voor de veiligheid van belang zijn, moeten worden uitgevoerd door een erkende dealer. Dit geldt voor aanpassing van wielvergrendeling, anti-tipwielen, de hoek en hoogte van de rugleuning, het onderbeenlengte, zwaartepunt, heupgordel, toe-in en camber van het achterwiel, zithoogte en toe-in en de richtingsstabiliteit van de vork van het zwenkwiel.
- Wanneer op de rolstoel gemonteerde mobiliteitsaccessoires worden gebruikt, zoals handbikes, elektrische aandrijfondersteuning, etc. verzeker u er dan van dat uw rolstoel is uitgerust met de juiste, voor dit gebruik goedgekeurde, voorvorken. Neem bij vragen contact op met uw dealer.
- Monteer geen niet-erkende elektronische apparaten, elektrisch of mechanisch aangedreven voortstuwingsapparaten, handfiets, of andere hulpmiddelen aan de rolstoel waardoor het bedoelde gebruik, of de structuur van de rolstoel verandert.
- Alle combinaties met andere medische hulpmiddelen moeten door Sunrise Medical worden goedgekeurd.
- NB: in sommige uitvoeringen kan de rolstoel breder zijn dan 700 mm. In dat geval kan het in bepaalde omstandigheden onmogelijk zijn om sommige, of alle, beschikbare vluchtroutes uit een gebouw te gebruiken. Het kan moeilijker of onmogelijk zijn om met openbaar vervoer te reizen.
- U kunt meer informatie en veiligheidsinstructies krijgen bij uw erkende dealer.
- Gebruikers met een amputatie vanaf de dij, moeten anti-tip wielen gebruiken.
- Controleer voor vertrek of de bandenspanning correct is. Voor de achterwielen moet de druk ten minste 3,5 bar (350 kPa). De maximale druk staat aangegeven op de band. De knie-remhendels functioneren alleen bij voldoende bandenspanning en wanneer ze correct zijn ingesteld (zie ook het hoofdstuk "Remmen").
- Indien de zitting of rugbekleding van de rugleuning beschadigd zijn, dient u deze direct te vervangen.
- Wees voorzichtig met vuur, en vooral met brandende sigaretten. De banden van de rugleuning en zitting kunnen vlam vatten.
- Wanneer de rolstoel langdurig blootgesteld wordt aan direct zonlicht, kunnen sommige onderdelen (bijv. frame, beensteunen, remmen, zijkant) heet worden (>41°C).
- Controleer altijd of de quick release assen op de achterwielen goed zijn ingesteld en vergrendeld. Wanneer de knop op de quick release as niet ingedrukt is, kan het achterwiel niet worden verwijderd.

WAARSCHUWING!

- Niet alleen het vermogen van de knie-remhendel maar ook de algemene rij-eigenschappen zijn afhankelijk van de bandenspanning. De rolstoel is aanzienlijk lichter en gemakkelijker te manoeuvreren wanneer de achterwielen op de juiste spanning zijn en beide dezelfde spanning hebben.
- De banden van de rolstoel moeten voldoende profiel hebben! Let op dat u zich aan alle verkeerswetten moet houden wanneer u zich op de openbare weg begeeft.
- Pas altijd goed op uw vingers wanneer u instellingen of onderdelen van de rolstoel wijzigt of aanpast.

WAARSCHUWING!

VERSTIKKINGSGEVAAR - In dit mobiliteitshulpmiddel zijn kleine onderdelen verwerkt die onder bepaalde omstandigheden een verstikkingsgevaar voor kleine kinderen kunnen vormen.

De getoonde en beschreven rolstoelen in deze gebruikershandleiding kunnen op sommige punten van uw eigen model afwijken. Alle instructies zijn echter belangrijk, ongeacht de verschillen in detail.

De fabrikant houdt zich het recht voor zonder opgave gegevens met betrekking tot gewicht, maten of andere technische gegevens zoals genoemd in deze handleiding, te wijzigen. Alle afbeeldingen, maten en mogelijkheden zoals getoond in deze handleiding zijn slechts indicatief en bevatten geen specificaties.

DEZE GARANTIE DOET OP GEEN ENKELE WIJZE AFBREUK AAN UW RECHTEN.

Sunrise Medical* biedt haar klanten een garantie op rolstoelen, zoals bepaald in de garantievoorwaarden die het onderstaande dekken.

Garantievoorwaarden:

1. Indien een onderdeel of onderdelen van de rolstoel binnen 24 maanden gerepareerd of vervangen moet(en) worden als gevolg van een fabricagefout en/of gebrek in het materiaal, of voor het frame en vouwframe binnen 5 jaar na levering aan de klant, wordt het betreffende onderdeel of de betreffende onderdelen kosteloos gerepareerd of vervangen. De garantie geldt slechts voor fabricagefouten.
 2. Om de garantie ten uitvoer te brengen, kunt u contact opnemen met de klantenservice van Sunrise Medical met de exacte gegevens over het probleem. Indien u de rolstoel gebruikt buiten het gebied dat wordt gedekt door de klantenservice van Sunrise Medical, wordt de reparatie of vervanging uitgevoerd door een ander servicepunt welke door de fabrikant wordt aangewezen. De rolstoel moet worden gerepareerd door een door Sunrise Medical aangewezen servicepunt (dealer).
 3. Voor onderdelen die binnen het bereik van deze garantiebepalingen zijn gerepareerd of vervangen, bieden we een garantie in overeenstemming met deze garantievoorwaarden voor de resterende garantieperiode voor de rolstoel in overeenstemming met punt 1.
 4. Voor originele reserveonderdelen die op kosten van de klant zijn gemonteerd, geldt een garantieperiode van 12 maanden (na montage) in overeenstemming met deze garantiebepalingen.
 5. Vorderingen op basis van deze garantie kunnen niet worden gedaan indien een reparatie of vervanging van een rolstoel of een onderdeel daarvan noodzakelijk is vanwege de onderstaande redenen:
 - a. Voor normale slijtage, zoals accu's, armlenningen, bekleding, banden, remschoenen, etc.
 - b. Bij overbelasting van het product; zie het EC-etiket voor het maximale gebruikersgewicht.
 - c. Het product of onderdeel is niet onderhouden in overeenstemming met de aanbevelingen van de fabrikant, zoals uiteengezet in de gebruikershandleiding en/of de onderhoudsinstructies.
 - d. Er zijn accessoires gebruikt die niet gespecificeerd zijn als originele onderdelen.
 - e. De rolstoel of het onderdeel is beschadigd door nalatigheid, ongeval of onjuist gebruik.
 - f. Er zijn veranderingen/wijzigingen aangebracht aan de rolstoel of onderdelen die afwijken van de specificaties van de fabrikant.
 - g. Reparaties zijn uitgevoerd voordat onze Klantenservice is geïnformeerd over de omstandigheden.
 6. Deze garantie wordt beheerst door het recht van het land waarin het product van Sunrise Medical* werd aangekocht.
- * Dit betekent de Sunrise Medical faciliteit waarvan het product werd aangekocht.

3.0 Transport

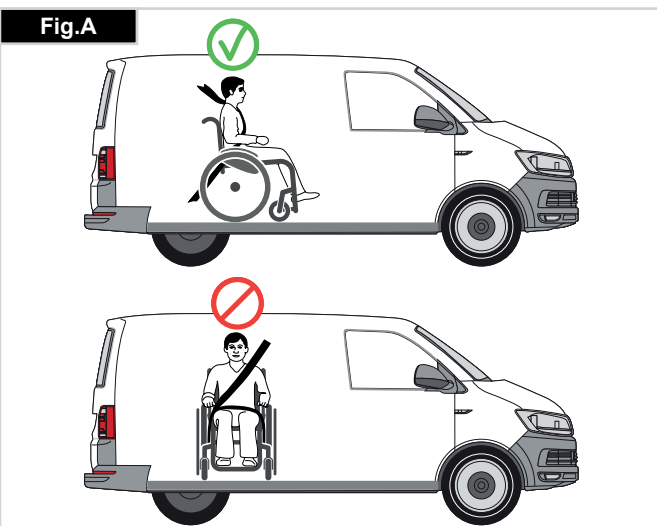
⚠ GEVAAR!

Indien dit advies wordt genegeerd ontstaat het risico op ernstig letsel of overlijden.

Het vervoer van uw rolstoel in een voertuig:

Een in een voertuig vastgezette rolstoel biedt niet dezelfde veiligheid als een normale stoel en veiligheidssysteem in dat voertuig. Sunrise adviseert altijd om de rolstoelgebruiker over te brengen naar een stoel van het voertuig. Sunrise Medical erkent dat het niet altijd praktisch is om een rolstoelgebruiker over te brengen naar een gewone stoel in het voertuig. Wanneer de gebruiker vervoerd moet worden in de rolstoel, moet onderstaand advies worden opgevolgd:

1. Controleer of het voertuig over de juiste hulpmiddelen beschikt om een passagier in een rolstoel te vervoeren. Controleer tevens of de methode om in en uit het voertuig te komen, geschikt zijn voor uw type rolstoel. De vloer van het voertuig moet sterk genoeg zijn om het totale gewicht van de rolstoelgebruiker, de rolstoel en de accessoires te dragen.
2. Rondom de rolstoel dient voldoende ruimte te zijn om de spanbanden en veiligheidsgordels te bevestigen en de rolstoel goed en gemakkelijk vast te zetten en los te maken.
3. De stoel met daarin de gebruiker moet in de rijrichting worden geplaatst. De rolstoel dient te worden vastgezet met spanbanden en voor de gebruiker dienen veiligheidsgordels gebruikt te worden, waarbij wordt voldaan aan de normen ISO 10542 of SAE J2249 en aan de WTORS instructies van de fabrikant.
4. De rolstoel is niet getest in andere posities binnen een voertuig. De rolstoel met daarin de gebruiker mag nooit in zijwaartse richting worden vervoerd (Fig. A).
5. De rolstoel moet worden vastgezet met een bevestigingssysteem dat voldoet aan ISO 10542 of SAE J2249, met niet-verstelbare banden aan de voorzijde en verstelbare banden aan de achterzijde, die worden bevestigd door middel van karabijnhaken/S-haken en gesp en gordel bevestigingen. De bevestigingen bestaan doorgaans uit vier aparte banden die vastgemaakt worden aan iedere hoek van de rolstoel.
6. De verankeringsbanden moeten aan het frame van de rolstoel worden bevestigd zoals aangegeven in de tekening op de volgende pagina. Ze mogen niet worden bevestigd aan accessoires, wielen, remmen, voetsteunen en dergelijke.



7. De verankeringsbanden dienen in een hoek van 45 graden zo dicht mogelijk bij de stoel bevestigd te worden; de banden moeten strak vastgezet worden in overeenstemming met de instructies van de fabrikant.

8. De verankeringspunten, frame en structurele onderdelen van de rolstoel mogen niet zonder overleg met de fabrikant worden gewijzigd of vervangen. Dergelijke wijzigingen kunnen de rolstoel van Sunrise Medical ongeschikt maken voor transport in een voertuig.

9. Zowel de heupgordel als de veiligheidsgordel voor het bovenlichaam moet worden gebruikt om de rolstoelgebruiker goed in de rolstoel te laten zitten. Hierdoor wordt het risico verkleind dat hoofd en borst in botsing komen met onderdelen van het voertuig. Tevens wordt risico verkleind dat de rolstoelgebruiker of de andere inzittenden van het voertuig geblesseerd raken. (Fig. B) De bovenlichaamgordel dient bevestigd te worden aan de "B" stang van het voertuig. Indien dit wordt nagelaten, wordt het risico van ernstig (onder)buikletsel van de gebruiker vergroot.

10. Tijdens het transport dient men gebruik te maken van een hoofdsteen die geschikt is voor transport (zie etiket van de hoofdsteen). Deze moet gedurende het hele transport op de juiste wijze zijn aangebracht.

11. Lichaamsondersteunende gordels (zoals heupgordels) mogen niet worden gebruikt als veiligheidsgordel voor een rolstoelgebruiker, tenzij deze voldoen aan de normen zoals gespecificeerd in ISO 7176-19 of SAE J2249.

12. De veiligheid van de rolstoelgebruiker tijdens het transport hangt af van de nauwkeurigheid waarmee de verankeringsbanden worden bevestigd. De persoon/personen die de verankerung tot stand brengt/brengen, moet(en) op juiste wijze zijn geïnstrueerd en getraind.

13. Verwijder waar mogelijk hulpmiddelen en accessoires en berg deze veilig op. Hierbij kunt u denken aan: Krukken, losse kussens en werkbladen.

14. Een scharnierende/opgetilde beensteun mag zich niet in opgetilde positie bevinden tijdens transport van de rolstoel en gebruiker wanneer de rolstoel is verankerd met verankeringsbanden en veiligheidsgordels.

15. Een gekantelde rugleuning moet in rechte positie worden gezet.

16. De handremmen moeten goed worden vastgezet.

17. Veiligheidsgordels moeten worden bevestigd aan de "B" stang van het voertuig en mogen niet van het lichaam afgehouden worden door bijvoorbeeld armsteunen of wielen.



Transport

Instructies voor veiligheidsgordels:

1. De heupgordel moet laag worden bevestigd over de voorzijde van de heup, zodanig dat de hoek van de heupgordel zich binnen de horizontale voorkeurszone van 30 tot 75 graden bevindt.

Hoe groter de hoek binnen deze begrenzing, hoe beter, maar de hoek mag nooit groter zijn dan 75 graden. (Fig. C)

2. De bovenlichaamsgordel moet over de schouder en diagonaal over de borst worden gedragen, zoals op de afbeelding weergegeven. Fig. D en E

De gordels moeten zo strak mogelijk worden gebruikt, maar moeten altijd comfortabel zijn voor de gebruiker.

Veiligheidsriemen mogen niet gedraaid zitten tijdens gebruik.

De gordel voor het bovenlichaam moet dwars over de schouder worden bevestigd, zoals getoond in afbeeldingen D en E.

3. De bevestigingspunten van de stoel bevinden zich aan de binnenzijde aan de voorkant van het frame vlak boven het zwenkwiel en aan het frame aan de achterzijde. De banden worden rond het frame aan de zijkanten geplaatst waar de horizontale en verticale buizen van het frame elkaar kruisen. (Zie Fig. G - I).

4. Op het frame van de rolstoel wordt door middel van het symbool voor het verankeringspunt (Fig. F) aangegeven waar de verankeringsbanden geplaatst moeten worden. De banden worden strak getrokken nadat de banden aan de voorzijde zijn aangebracht om de rolstoel te borgen.

De plaatsing van verankeringsbanden op de rolstoel:

1. De plaats van de afbeeldingen die aangeven waar aan de voor- en achterzijde de spanbanden geplaatst moeten worden (Fig. G - I).

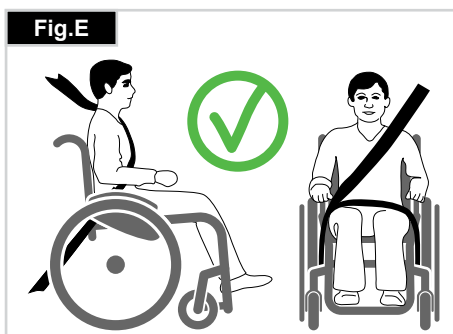
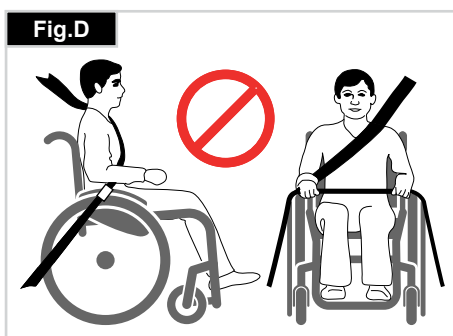
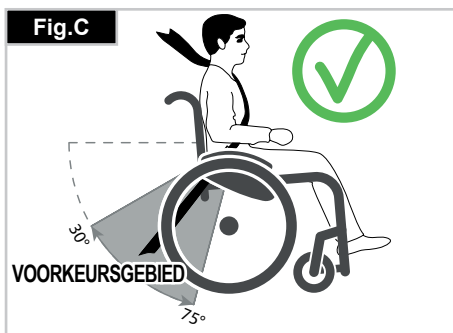
Minimaal gebruikersgewicht 22 kg:

Wanneer de gebruiker die wordt vervoerd een kind is dat minder dan 22kg weegt, en het betrokken voertuig minder dan acht (8) inzittenden heeft, wordt het aanbevolen dat het kind wordt overgeplaatst naar een kinderzitje met veiligheidsgordels dat voldoet aan de UN-ECE R44 regelgeving.

Dit type gordelsysteem biedt een doelmatiger gordelsysteem dan het conventionele 3-puntsgordelsysteem. Daarbij bieden sommige kinderzitjes ook extra ondersteunende elementen waardoor de houding van het kind wanneer het zit, beter wordt ondersteund.

In sommige omstandigheden kunnen de ouders of zorgverleners overwegen om het kind in de rolstoel te laten zitten tijdens transport, als de rolstoelinrichting het kind veel lichaamsondersteuning en comfort biedt.

In dergelijke omstandigheden adviseren we een risicobeoordeling te laten uitvoeren door uw medische deskundige of andere relevante personen die over de vereiste kennis beschikken.



4.0 Gebruik

Inklappen (Fig. 4.0)

Verwijder eerste het zitkussen van de rolstoel en klap de voetplaat (platform) of de aparte voetplaten naar boven. Pak de zitmat aan de onderkant in het midden en trek hem omhoog, zodat de vouwbeugel op zijn plaats klikt (Fig. 4.0 - 4.1). Om uw rolstoel zo klein mogelijk te maken, zodat hij bijvoorbeeld in een auto past, kunt u de voetsteunen verwijderen (afhankelijk van het model). Duw daarvoor de grendel van de voetsteun naar binnen en draai de voetsteun naar buiten, (Fig. 4.2 - 4.3). Vervolgens moet de voetsteun alleen uit de framebuis getrokken worden.

Transport (Fig. 4.1).

Om de stoel te verplaatsen, tilt u de opgevouwen stoel op door hem aan de voorkant van het kruisframe en de duwhandvatten vast te houden.

Uitklappen

Duw de ontgrendelingshendel van de vouwbeugel (Fig. 4.4) naar beneden en duw beide framehelften uit elkaar. Druk vervolgens op de zittingbuis (Fig. 4.5). Uw rolstoel is dan uitgeklappt. Klik de zitbuizen in hun positie in het zadel van de zitting. Dat gaat makkelijker als u de rolstoel wat opzij kantelt. Zo haalt u namelijk het gewicht weg van één van de achterwielen. Zorg ervoor dat uw vingers niet tussen de gekruiste buizen raken. Plaats het kussen van de zitting.

⚠ WAARSCHUWING!

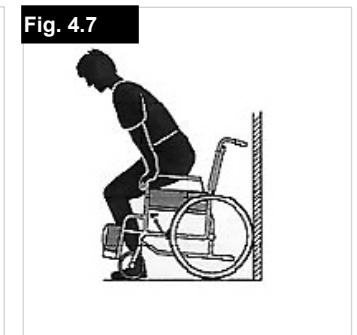
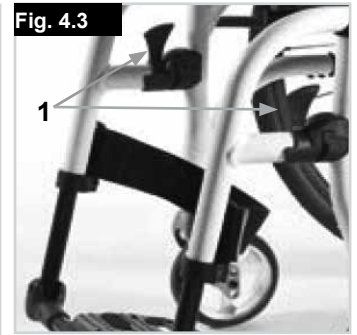
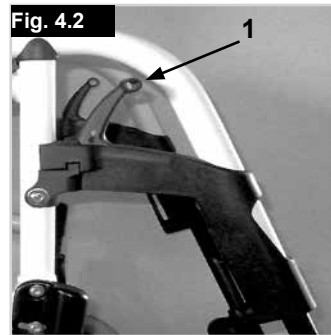
Risico op bekleemde vingers

Zelf in uw rolstoel stappen

- Duw de rolstoel tegen een muur of een stevig meubelstuk;
- Zet de rem erop;
- De gebruiker kan zich in de rolstoel laten zakken;
- Plaats de voeten vervolgens voor de hielbanden (Fig. 4.6).

Zelf uit uw rolstoel stappen

- Zet de rem op;
- De persoon dient met een hand op het wiel of de zijkant enigszins naar voren te leunen om het lichaamsgewicht naar de voorrand van de stoel over te brengen, en zich dan rechtop te duwen met beide voeten stevig op de vloer en een voet achter de andere (Fig. 4.7).



5.0 Transport van de rolstoel

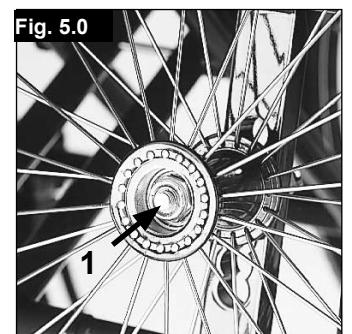
Wanneer een lege rolstoel in een voertuig wordt vervoerd, moet hij worden vastgezet of -gebonden.

Quick release assen voor achterwielen (Fig. 5.0)

Door het verwijderen van de achterwielen blijft de rolstoel zo compact mogelijk. De achterwielen zijn toegerust met quick-release-assen. Zo kunt u de wielen zonder gereedschap monteren of verwijderen. Om een wiel te verwijderen, drukt u gewoon de quick release knop op de as in (1) en trekt u het wiel weg.

⚠ OPGELET!

Houd de quick release as ingedrukt terwijl u de as in het frame steekt om de achterwielen te monteren. Laat de knop los om het wiel op zijn plaats te vergrendelen. De quick release knop zou weer op zijn oorspronkelijke plaats moeten klikken.



6.0 Opties

Remmen

Wielvergrendelingen (Fig. 6.01 - 6.02)

Uw rolstoel heeft twee wielvergrendelingen. Ze komen rechtstreeks op de banden terecht. Om de vergrendelingen te gebruiken, drukt u beide vergrendelingshendels naar voren tot tegen de aanslagen. Om de vergrendeling ongedaan te maken, trekt u de hendels weer naar hun oorspronkelijke positie.



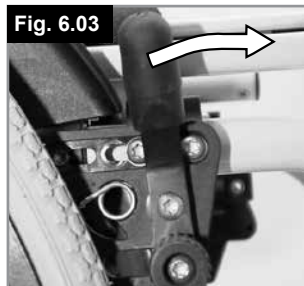
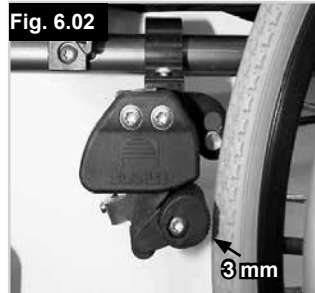
⚠ WAARSCHUWING!

Het remvermogen vermindert wanneer:

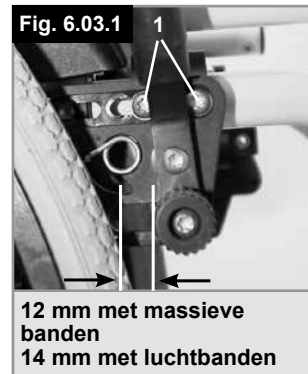
- Onjuiste montage en aanpassing van de remmen
- Bandendruk te laag
- het loopvlak van de band versleten is;
- de banden nat zijn;
- de wielvergrendelingen niet goed afgesteld zijn.
- De parkeerremmen zijn niet bedoeld om als rem voor een bewegende rolstoel te dienen.
- U mag de remmen dan ook niet gebruiken om een bewegende rolstoel te doen remmen.
- Rem altijd met behulp van de hoepels.

Zorg ervoor dat de afstand tussen de banden en de wielvergrendelingen voldoet aan de vermelde specificaties. Om die afstand aan te passen, draait u schroef los en stelt u de juiste afstand in. Draai vervolgens de schroeven weer aan (Fig. 6.01, 6.02).

Telkens wanneer u de achterwielen hebt bijgesteld, moet u nagaan of de afstand tot de wielvergrendelingen in orde is. Pas die indien nodig aan.



Standaard rem



12 mm met massieve banden
14 mm met luchtbanden
Standaard rem

Trommelremmen

Trommelremmen helpen een begeleider om veilig en goed te remmen.

U kunt deze ook gebruiken met behulp van een vergrendelingshendel (1) om te voorkomen dat u weggrolt. U moet de hendel in zijn plaats horen klikken. Trommelremmen werken onafhankelijk van de luchtdruk in de banden (Fig. 6.04).



⚠ WAARSCHUWING!

U mag de trommelremmen alleen door erkende dealers laten aanpassen.

Gebruik de 2 trommelremmen altijd tegelijkertijd zodat u de controle over de rijrichting behoudt! Trommelremmen kunnen uitsluitend als dynamische rem worden gebruikt om de rolstoel te stoppen wanneer deze in beweging is. Schakel altijd de wielvergrendeling in tijdens een lange of korte stop, of bij het overplaatsen van de gebruiker, om de rolstoel op zijn plaats te houden.

Verlenging van de remhendel

Het gebruik van de langere hendel kost u minder moeite om de wielvergrendeling in werking te zetten.

De langere remhendel is door schroeven verbonden aan de remmen. Door deze op te lichten, kan hij naar voren worden gekanteld. (Fig. 6.05).



⚠ OPGELET!

- Wanneer u de wielvergrendeling te dicht bij het wiel monteert, zal deze moeilijker te hanteren zijn. Hierdoor kan de verlengde hendel breken!
- De hendel kan ook breken wanneer u op de verlenging gaat leunen tijdens transfers! Opspattend water en vuil van de banden kan slecht functioneren van de wielvergrendelingen veroorzaken.
- Door verkeerde montage van de wielvergrendeling kan het meer moeite kosten om deze gebruiken.
- Hierdoor kan de verlengde hendel breken!

Compacte remmen (Fig. 6.06)

De compacte wielvergrendelingen bevinden zich onder de zitmat.

Door de wielvergrendelingen naar achteren te trekken, in de richting van de band, worden ze in werking gesteld. Om de wielvergrendelingen correct te laten functioneren, moeten ze volledig tegen de aanslagen worden geduwd.



⚠ OPGELET!

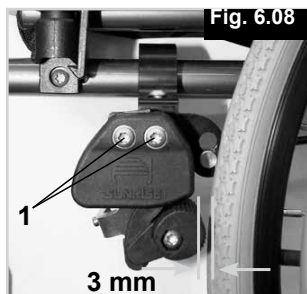
- Door verkeerde montage van de wielvergrendeling kan het meer moeite kosten om deze gebruiken. Hierdoor kan de verlengde hendel van de wielvergrendeling afbreken!
- De bevestigingsbouten van de rem mogen niet losgedraaid en/of opnieuw vastgedraaid worden.

Wielvergrendeling één hand

Uw rolstoel is uitgerust met twee sets wielvergrendelingen, aan de linker- en rechterkant. Ze komen rechtstreeks op de banden terecht. Om ze in te schakelen drukt u de vergrendelingshendel naar voren tegen de stop aan (Fig. 6.07). Om het wiel vrij te geven, trekt u de hendel weer naar zijn oorspronkelijke positie.

- Het remvermogen vermindert wanneer:
 - het loopvlak van de band versleten is;
 - de bandendruk niet voldoende is;
 - de banden nat zijn;
 - de wielvergrendelingen niet goed afgesteld zijn.

De parkeerremmen zijn niet bedoeld om als rem voor een bewegende rolstoel te dienen. U mag de remmen dan ook niet gebruiken om een bewegende rolstoel te doen remmen. Rem altijd met behulp van de hoepels. Zorg ervoor dat de afstand tussen de banden en de wielvergrendelingen voldoet aan de vermelde specificaties. Om opnieuw aan te passen, draait u de schroeven los (1) en stelt u de juiste tussenruimte in (Fig. 6.8). Draai de schroef weer vast. (zie de pagina over torque sleutel).



Trapdop

De trapdop kan door begeleiders worden gebruikt om de rolstoel over een obstakel te duwen. Trap gewoon op de buis om een rolstoel bijvoorbeeld over een stoep of een trede te duwen (Fig. 6.09).

⚠ OPGELET!

Voor modellen waarbij de rolstoel voornamelijk zal worden voortgeduwd door een begeleider, adviseert Sunrise Medical het gebruik van een trapdop. Er kan schade ontstaan aan het rugframe wanneer u deze voortdurend gebruikt als hendel om de rolstoel naar achteren te trekken of zonder trapdop te kantelen.



⚠ WAARSCHUWING!

Zorg ervoor dat de trapdop de grond niet kan raken wanneer er over stoepranden, randen, trappen of roltrappen wordt gereden.

Voetensteunen

Er zijn verschillende voetplaten beschikbaar voor de Life. Deze kunnen omhoog worden geklapt waardoor het gemakkelijker is om in of uit de rolstoel te komen. Ze worden afzonderlijk omschreven.

Voetensteunen en ontgrendelknop met wegdraaimechanisme

Wanneer de voetsteunen worden gemonteerd, worden ze naar buiten geklapt gemonteerd (Fig. 6.10). Draai ze vervolgens gewoon naar binnen, totdat de vergrendeling in werking treedt (1). Om de voetsteunen te verwijderen, gebruikt u de hendel (2) en draait u de voetsteunen naar buiten en tilt u ze op. Controleer of de voetsteun correct is gemonteerd. De voetsteun wordt beperkt door de hangerstop (Fig. 6.10) tot een positie van 90°. Dit voorkomt dat de rem per ongeluk wordt ontgrendeld wanneer de hanger naar buiten wordt geklapt.

⚠ WAARSCHUWING!

De voetsteunen zijn niet ontworpen om de rolstoel aan op te tillen of te dragen, terwijl er een persoon in de rolstoel zit.

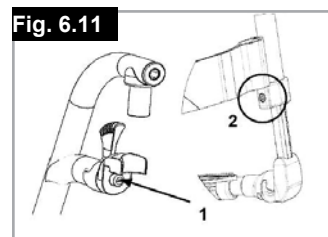
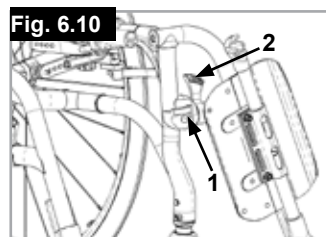
Aanpassing van speling bij de hanger

Wanneer er sprake is van speling in de hanger (Fig. 6.11) kan dit worden aangepast. U hoeft hiervoor niet naar de dealer. De pen van de hanger (1) loopt spits toe en de speling kan worden verminderd wanneer de pen enigszins wordt losgedraaid.

Haal de hanger van de rolstoel af via het ontgrendelingsmechanisme.

Gebruik een schroevendraaier en draai de pen (1) aan de voorzijde voorzichtig naar links. Test vervolgens de hanger op de stoel. Als het hangermechanisme niet functioneert/niet meer pakt, draai de schroef dan iets terug.

Als de speling nog steeds te groot is, en de hanger niet afdoende functioneert, herhaalt u de handelingen.



Lengte van het onderbeen

Door de klemschroef los te draaien (Fig. 6.12), kunt u de lengte voor het onderbeen verstellen. Draai de bout los en verstel de buis met de voetenplaat naar de gewenste positie. Draai de schroeven weer vast. (zie de pagina over torque). Controleer goed of de plastic verbinding in de juiste positie onder de schroef is geplaatst.

⚠ WAARSCHUWING!

Sta niet op de voetplaten tijdens overplaatsingen. De kans is groot dat de rolstoel voorover kantelt wanneer u op de voetplaten gaat staan. Zet altijd uw voeten stevig op de grond voordat u in of uit de rolstoel stapt.

Plateau-voetplaten

De voetplaat kan worden opgeklapt om gemakkelijker in en uit uw rolstoel te komen.

De voetplaat kan ook, ten opzichte van een horizontaal vlak, in zes verschillende standen worden gekanteld.

Draai de schroef (1) aan de buitenzijde stevig vast.

Door de klemmen (2) te verwijderen, kan de voetplaat in drie verschillende posities worden gesteld; zowel naar voren als naar achteren. Hiertoe moet de voetenplaat omhoog worden geklapt, (Fig. 6.13).

Als u klaar bent, moet u controleren of alle schroeven stevig aangedraaid zijn (zie de pagina over torque sleutel). Er moet altijd 25 mm ruimte boven de grond worden aangehouden.

Aanpassing van de voetsteunen in de breedte

Wanneer de breedte van de voetsteunen aangepast moet worden, draai dan schroef (1) los, kies de gewenste breedte door 1, 2 of 3 stellingen (2) van de buitenzijde naar binnen te stellen. Plaats hierna de schroeven terug, (Fig. 6.14).

Lichtgewicht voetsteun

De hoek van de voetsteun kan worden aangepast door de schroeven (2) los te draaien. De beschermingspanelen voor de zijkant kunnen via de gaatjes (3) aan de voetsteun worden bevestigd. Hierdoor wordt voorkomen dat de voeten per ongeluk van de voetsteunen glijden, (Fig. 6.15). Controleer na aanpassingen altijd of alle schroeven correct zijn aangedraaid (zie ook de pagina betreffende draaikracht/torque).

Breedte-instelling

Om de breedte van de voetplaat in te stellen, draait u de schroef (2) los. Hierna kunt u de buizen in de houder verstellen om de breedte van de voetplaat aan te passen (Fig. 6.15). Controleer of alle schroeven met de juiste torque zijn aangedraaid.

Vergrendeling voetenplaat

De voetenplaat wordt automatisch vergrendeld wanneer hij naar beneden wordt geklapt. Om de voetenplaat omhoog te klappen, dient u aan de ontgrendelingsknop (1) te trekken. Om de ontgrendelde positie vast te houden, draait u knop 1 nadat hij is uitgetrokken (Fig. 6.16).

WAARSCHUWING!

Om optimale functionaliteit te verkrijgen, moet het systeem ontgrendeld zijn!

Compenserende beensteunen - standaard

Om hoger in te stellen:

Trek de voetsteun omhoog en stel hem op de gewenste hoogte in. Terwijl u dit doet, klikt de voetsteun hoorbaar op zijn plaats (Fig. 6.17).

Om te verlagen:

Haal het gewicht van de voetsteun af door het onderbeen op te tillen en druk op de ontgrendelingshendel.

Op deze wijze kunt u de voetsteunen omlaag klappen. Zodra u de hendel los laat, klikt de voetsteun terug op zijn plaats.

WAARSCHUWING!

- Bij het omhoog of omlaag bewegen van de voetsteun bestaat het risico dat vingers beklemd raken.
- Tussen het frame en de bewegende delen van de voetsteun terwijl de voetsteun op of neer wordt bewogen.
- De voetsteunen zijn niet ontworpen om de rolstoel aan op te tillen of te dragen, terwijl er een persoon in de rolstoel zit.
- Ga nooit op de voetplaten staan wanneer u in of uit de rolstoel stapt.

AMPUTATIEBESCHERMER

(Fig. 6.18).

De amputatiebeschermer kan in elke richting, naar wens worden aangepast.

Fig. 6.14

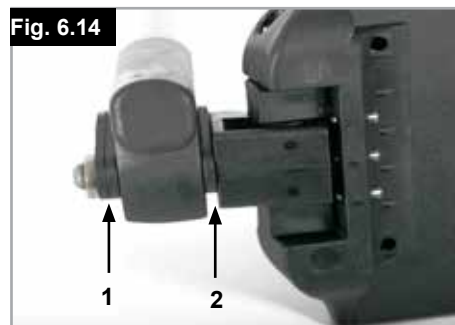


Fig. 6.15

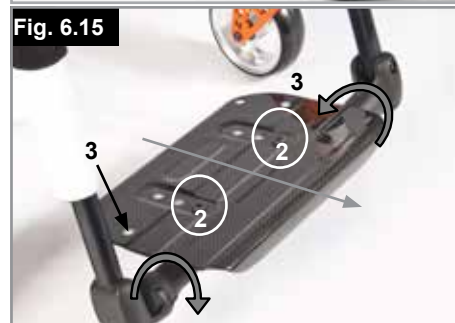


Fig. 6.16

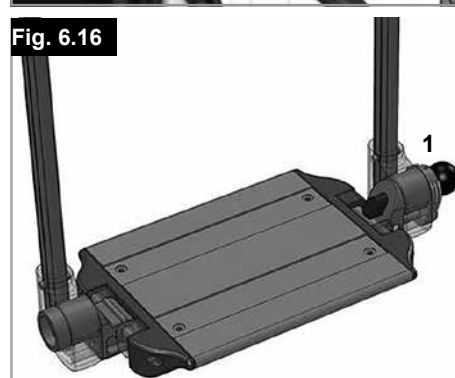
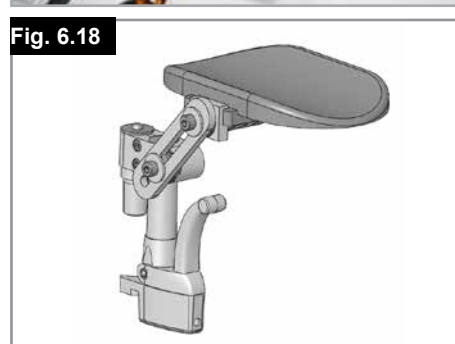


Fig. 6.17



Fig. 6.18



Zwenkwiel

Zwenkwiel, aanpassing zwenkwiel, zwenkwielvork (Fig. 6.19)

Het kan gebeuren dat de rolstoel iets afwijkt naar links of naar rechts of dat de voorwielen wiebelen.

Dat kan door de volgende zaken komen:

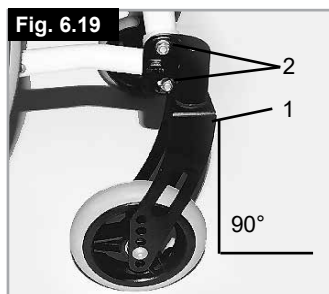
De voorwaartse of achterwaartse wielbeweging is niet goed ingesteld.

De camber is niet goed afgesteld.

De luchtdruk van het voorwiel en/of van het achterwiel is niet goed; de wielen draaien niet soepel genoeg.

Om de rolstoel in een rechte lijn te laten rijden, moeten de zwenkwielen optimaal worden aangepast. U moet de voorwielen laten afstellen door een erkend dealer.

Telkens wanneer u de positie van het achterwiel hebt laten veranderen, moet u het balhoofd opnieuw aanpassen en de wielvergrendelingen controleren. Controleer de instelling van het verbindingsstuk van het zwenkwiel (1) door er een tekendriehoek naast te zetten en het van de voorzijde te bekijken. Zorg ervoor dat het verbindingsstuk in een rechte hoek is ten opzichte van de vloer. Door de schroeven (2) los te draaien en het verbindingsstuk te stellen, kunt u de wielen weer instellen naar hun optimale positie, door de corresponderende tandwielen te stellen. Controleer na aanpassingen altijd of alle schroeven correct zijn aangedraaid (zie ook de pagina betreffende draaikracht/torque).



Camber

Camber (Fig. 6.21 - 6.22)

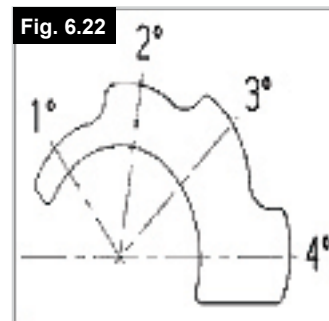
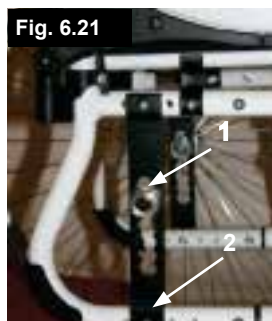
De camber van de stoel kan worden aangepast van 1° tot 4°. Hierdoor krijgt de rolstoel een verhoogde stabiliteit en valt hij niet weg naar een zijde. Het verbetert tevens het vermogen tot manoeuvreren.

Draai de schroeven in de asplaat (1) los. Verstel daarna de adaptor tot de gewenste hoekinstelling. Draai de schroeven weer vast. (zie de pagina over torque).

De instelling van de camber is van invloed op de totale breedte van de rolstoel; iedere graad komt overeen met 10 mm).

⚠OPGELET!

Het kan noodzakelijk zijn de remmen en zwenkwielen opnieuw in te stellen.



Asplaat (zwaartepunt)

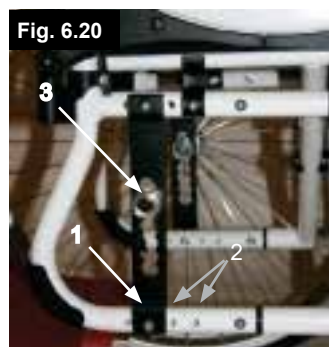
Asplaat (Fig. 6.20)

De positie van het zwaartekrachtspunt in combinatie met de achterwielen is een belangrijke factor voor gemakkelijk en comfortabel rijden. Er zijn verschillende mogelijkheden. Wanneer u de asplaat naar de achterste gaatjes van het frame brengt (1), is de rolstoel heel veilig, maar tegelijkertijd niet zo manoeuvreerbaar. Wanneer de asplaat verder naar voren wordt geplaatst, is de rolstoel beter te manoeuvreren.

Door de adapter (3) in de asplaat te veranderen, kan de zithoogte van de stoel worden aangepast. Controleer na aanpassingen altijd of alle schroeven correct zijn aangedraaid (zie ook de pagina betreffende draaikracht/torque).

⚠OPGELET!

Het kan noodzakelijk zijn de remmen en zwenkwielen opnieuw in te stellen.



Rugleuning

Instelbare spanning rugleuning, (Fig. 6.23)

De verstelbare rugleuning kan qua spanning worden aangepast door het Velcro® klittenband los te maken en deze door de gespen (1) te halen. Wanneer de gewenste spanning is bereikt, drukt u het klittenband weer op elkaar.

Herhaal dit proces voor iedere band.

De bekleding van de rugleuning kan via een opening aan de binnenzijde worden bereikt en aangepast aan individuele voorkeur.

⚠ WAARSCHUWING!

Controleer voor gebruik van de rolstoel of al het klittenband goed is bevestigd.



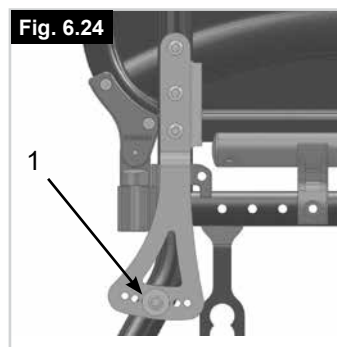
Rugleuning met verstelbare hoek, (Fig. 6.24)

De hoek verstelbare rugleuning kan in verschillende posities worden gesteld (maximaal 12° voorwaarts, dan achterwaarts in stappen van 4°).

Door de schroef (1) los te maken en verwijderen, kan de hoek in stappen van 4° worden aangepast.

⚠ OPGELET!

Voor uw eigen veiligheid moeten aanpassingen altijd worden uitgevoerd door uw dealer.



Opvouwbare rugleuning

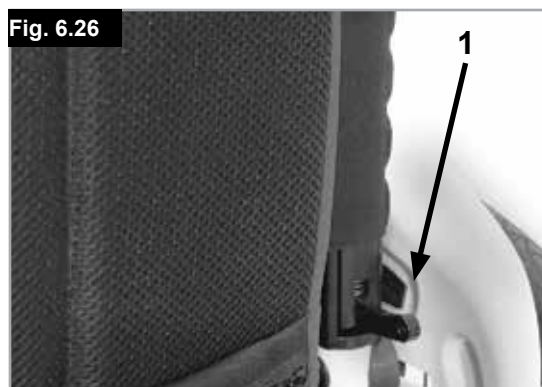
Om de rolstoel gemakkelijker te kunnen vervoeren, kan het bovenste deel van de rugleuning naar beneden worden geklapt. Hiertoe duwt u beide hendels (1) naar beneden en vouwt u de rugleuning naar beneden. Controleer nadat u de rugleuning weer omhoog hebt geklapt, of beide zijden goed zijn vergrendeld (Fig. 6.25/6.26).

⚠ WAARSCHUWING!

- Risico op letsel: let op dat uw vingers niet beklemd raken in het vouwmechanisme.

⚠ OPGELET!

Denk ook aan het gewijzigde zwaartepunt bij het instellen van de hoek van de rugleuning, de spanning van de gordels van de rugleuning, of de hoogte van de rugleuning. Aanpassingen van het zwaartekrachtspunt kan leiden tot een instabiele rolstoel met kans op omkantelen; het gebruik van anti-tipwielen kan vereist zijn.



Neerklapbare rugleuning

Uitvouwen van de rugleuning:

Om de rugleuning omhoog te zetten, duwt u de hendels naar boven en voorwaarts, totdat ze vergrendelen, (Fig. 6.27).



⚠️ WAARSCHUWING!

Houd uw vingers en voorwerpen verwijderd van het vouwmechanisme, om persoonlijk letsel of beschadiging van voorwerpen te voorkomen wanneer de rugleuning wordt in- of uitgevouwen.



Het vouwen van de rugleuning:

De rugleuning van de rolstoel kan worden opgevouwen, waardoor het opbergen van de stoel gemakkelijker is, (Fig. 6.28).

⚠️ OPGELET!

Doe dit niet terwijl er iemand (of iets) in de rolstoel zit (of ligt). Hierdoor kan een hendel afbreken.

Om de rugleuning op te vouwen, gaat u achter de rolstoel staan en duwt u op de twee kleine hendels (Fig. 6.26) die zich aan iedere zijde van de rugleuning bevinden (net boven de armsteunen). Vouw de rugleuning naar beneden.

Stabilisatiestang

Inklappende stabilisatiestang

Deze stang dient om de rug te stabiliseren.

Om de rolstoel te kunnen opvouwen, moet de ontkoppelingshendel naar binnen worden gedruwd (Fig. 6.29) of worden losgekoppeld en de stabiliseerstang moet naar beneden worden geklapt. Bij het uitklappen van de rolstoel dient u ervoor te zorgen dat de stabilisatiestang op zijn plaats is vergrendeld.



Hoofdsteunen

Hoofdsteunen

De hoofdsteun (Fig. 6.30) kan omhoog worden gezet en horizontaal voorwaarts en achterwaarts worden bewogen.

Hiertoe draait u de schroef (1, 2 of 3) los.

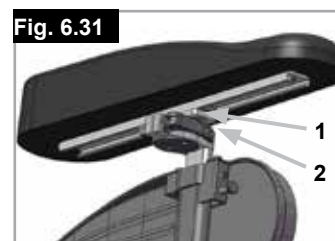
Nu kunt u de gewenste positie instellen. Draai de schroef weer vast. (zie de pagina over torque sleutel).



Opties – Armsteun, hemiplegie

ARMSTEUNEN, HEMIPLEGIE

De hemiplegie-armsteun kan zowel qua lengte als hoek worden ingesteld. U kunt de lengte instellen door de armsteun te duwen na de 2 draaischroeven (1) los te hebben gedraaid. Om de hoek aan te passen, opent u de vergrendelingshendel (2) en draait u de armsteun naar de gewenste positie. Draai vervolgens de hendel weer aan (Fig. 6.31).



Zijkanten

Zijkanten, opklapbaar, afneembaar, met korte of lange armsteunen, in hoogte verstelbaar (Fig. 6.32 - 6.33)

Om de hoogte van de armsteun aan te passen, doet u als volgt: duw de knop (1) naar voren tot hij stopt. Verstel de armsteun (2) naar de gewenste hoogte. Laat de knop weer naar achteren glijden en duw de armsteun (2) naar beneden tot u hem op zijn plaats hoort klikken. Controleer altijd of de zijkanten aan beide zijden goed vergrendeld is. Om de armsteun omhoog te klappen, tilt u de hendel (3) op om de zijkanten te ontgrendelen.

⚠ WAARSCHUWING!

Noch de armleuningen, noch de opvulkussens mogen worden gebruikt om de rolstoel te tillen of te dragen.



In hoogte verstelbare armleuning

Bevestiging: laat de stang van de armleuning in de houder op het rolstoelframe glijden tot hij niet verder kan.

Aanpassing hoogte:

Trek de stang van de armsteun uit de houder. Stel de positie van de beugel (1) door de schroef (2) te verwijderen, waarna u de beugel in de gewenste positie kunt zetten. Plaats de schroef terug en draai deze weer aan. Laat de stang van de armsteun weer in de houder glijden, (Fig. 6.34).

Positie kussen armleuning:

De armleuning (het kussen) kan worden aangepast door de schroeven (3) los te maken, en de armleuning in de gewenste positie te plaatsen. Draai daarna de schroeven weer aan (Fig. 6.25).

Aanpassing armsteunhouder

Door middel van de twee schroeven (1) kan de armsteunhouder strakker of losser worden vastgezet (Fig. 6.35).

Zijkant met kledingbescherming (Fig. 6.36)

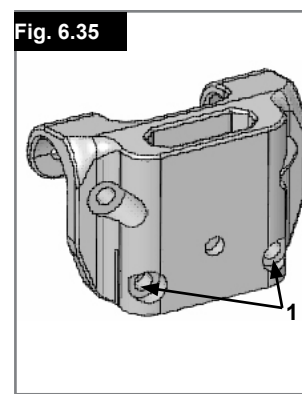
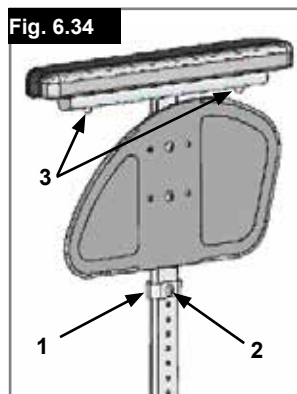
Met de kledingbescherming wordt kleding niet vuil door opspattend water. U kunt de positie ten opzichte van het achterwiel instellen door de zijkanten te bewegen.

Verwijder hiervoor de schroeven (1 en 2).

Nadat u de zijkanten in de gewenste positie heeft geplaatst, draait u de schroeven opnieuw aan (zie de pagina betreffende draaimoment).

⚠ WAARSCHUWING!

Noch de armleuningen, noch de opvulkussens mogen worden gebruikt om de rolstoel te tillen of te dragen



In hoogte verstelbare armleuningen, met een stang bevestigd, (Fig. 6.37 - 6.40).

⚠ WAARSCHUWING!

Noch de armleuningen, noch de opvulkussens mogen worden gebruikt om de rolstoel te tillen of te dragen.

1. Bevestiging

- Duw de buitenste geleiders van de armsteun in de houder die bevestigd is op het rolstoelframe.
- De armleuning klemt automatisch vast.

2. Aanpassing hoogte

- Draai de ontgrendelingshendel voor hoogteaanpassing (2) naar het tweede stoppunt.
- Duw de armsteun omhoog of omlaag om de gewenste hoogte te bereiken.
- Duw de hendel terug tegen de geleiders van de armsteun totdat de hendel weer vergrendelt.
- Duw de armsteun (4) totdat de geleiders goed op hun plaats klikken.

3. Verwijder de armsteun

- Gebruik hendel (3) en til de hele armsteun op.

4. Doe de armsteun erin

- Doe de armsteun terug in de houder, totdat de steun op zijn plaats klikt.

Bevestigingsonderdelen voor de houder van de armsteun

Aanpassen van de houder van de armsteun.

Om de bevestiging van de buitenste geleiders van de armsteun strakker of losser in de houder te draaien:

- Draait u de vier schroeven voor de houder (D) aan beide zijden van de houder los.
- Laat de armsteun in de houder (E) zitten en duw de houder samen, totdat de gewenste instelling is bereikt.
- Draai de vier schroeven vast (D). (144 in-lbs, 16,3 Nm)
Instelling positie
- Draai de schroeven (10) los totdat de klem los is.
- Duw de houder van de armsteun in de gewenste positie.
- Vastdraaien.

1. Buitenste geleiders van de armsteun

2. Instelling van de hoogte van de vergrendelingshendel

3. Vergrendelingshendel

4. Armsteunkussens

5. Overstapstang

6. Zijkant

7. Houder

8. Stelklem

9. Onderdelen om de houder aan te passen

10. Klenschroeven

Fig. 6.37

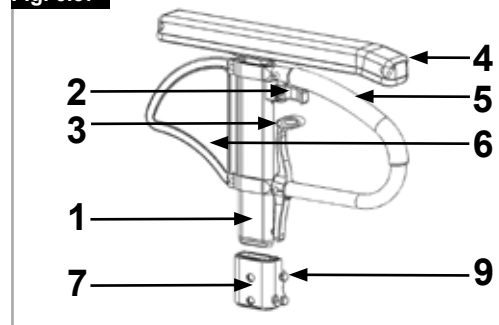


Fig. 6.38

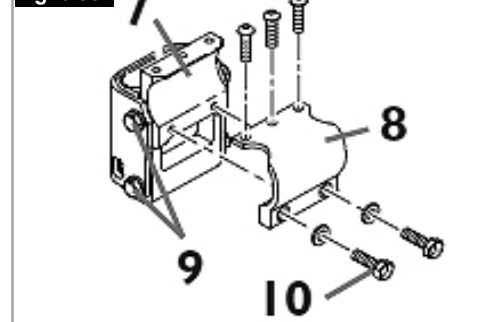


Fig. 6.39

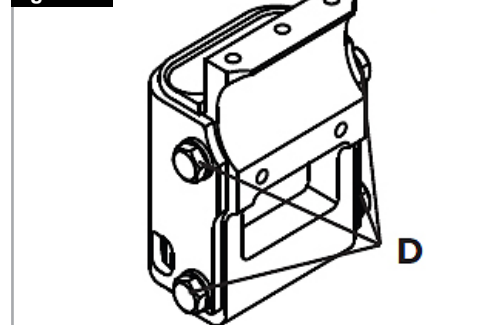
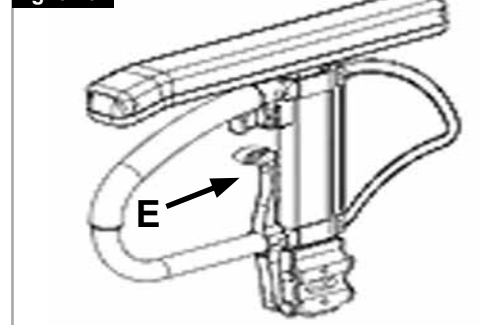


Fig. 6.40



Opties – One-arm-drive

One-arm-drive

(Fig. 6.41 - 6.41.1)

Om de rolstoel recht vooruit te laten rijden, moeten beide hoepels tegelijkertijd worden gebruikt.

Om de rolstoel op te vouwen, maakt u de telescopische stang los door de ontgrendeling naar binnen te duwen (1). Om de wielen te verwijderen, trekt u aan de ontgrendelingsknop 2.

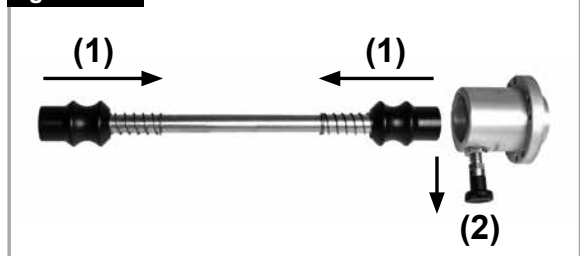
⚠ OPGELET!

Controleer altijd of de verbindingen op de juiste wijze zijn bevestigd, om letsel te voorkomen.

Fig. 6.41



Fig. 6.41.1



Duwhandvatten

In de hoogte verstelbare duwhandvatten (Fig. 6.43)

Die duwhandvatten zijn in hun positie beveiligd door pinnen die voorkomen dat ze per ongeluk wegschuiven. Het openen van de quick release

hendel maakt het mogelijk de hoogte van de duwhendels aan te passen aan uw individuele wensen. Wanneer u de hendel beweegt, zult u een vergrendelingsmechanisme horen; u kunt het duwhandvat nu makkelijk in de gewenste positie brengen. De moer bepaalt hoe stevig de duwhandvatten op hun plaats gehouden worden. Als de moer losgedraaid is, zal ook het duwhandvat te los zitten. Draai het duwhandvat naar beide kanten om u ervan te vergewissen dat hij stevig op zijn plaats zit. Nadat u de hoogte van het duwhandvat heeft ingesteld, moet u de fixatiehendel altijd stevig op zijn plaats vastmaken. Als de fixatiehendel niet vergrendeld is, kan dit letsel veroorzaken bij het opgaan van een trap.

Fig. 6.43



Werkblad

Werkblad

(Fig. 6.42)

Het werkblad functioneert als een werkoppervlakte. Uw dealer moet het werkblad eenmalig aanpassen zodat het wordt afgestemd op de breedte van de stoel. De gebruiker moet in de rolstoel zitten wanneer de functionaliteit wordt getest.

Fig. 6.42



Duwhandvat

Neerklapbare duwhandvatten (Fig. 6.44)

Wanneer u de duwhandvatten niet gebruikt, kunt u die neerklappen door op de knop (1) te drukken. Zodra u ze opnieuw nodig hebt, klapt u ze weer naar boven tot ze op hun plaats klikken.

Fig. 6.44



Anti-tip wielen

Anti-tip wielen (Fig. 6.45)

Anti-tip wielen (1) bieden bijkomende veiligheid voor onervaren gebruikers wanneer deze nog leren hoe de rolstoel te gebruiken. Anti-tip wielen (1) voorkomen dat een rolstoel naar achteren kantelt. De anti-tip wielen (1) kunnen naar beneden worden geklapt door erop te duwen. Ook kunnen ze naar voren worden gedraaid. Er moet 30 tot 50mm ruimte zijn tussen vloer en anti-tip wielen. Om een stap omhoog of omlaag te gaan (bijv. een stoeprand), moeten de anti-tip wielen naar voren worden gebracht, om te voorkomen dat ze de grond raken.

WAARSCHUWING!

Wanneer de anti-tip wielen verkeerd zijn aangebracht, wordt het gevaar op achterwaarts kantelen groter.

Fig. 6.45

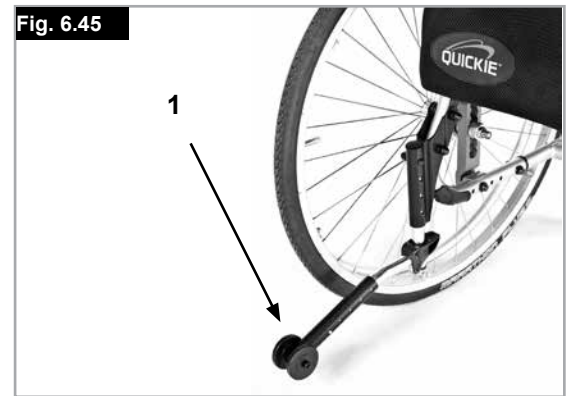


Fig. 6.46



Krukkenhouder

Krukkenhouder (Fig. 6.46)

Hiermee kunt u krukken meenemen op de rolstoel. De krukkenhouder heeft een velcrolus waarmee u de krukken of andere hulpmiddelen kunt vastmaken.

OPGELET!

Probeer nooit de krukken of andere hulpmiddelen te gebruiken, of deze te verwijderen, terwijl de rolstoel in beweging is.

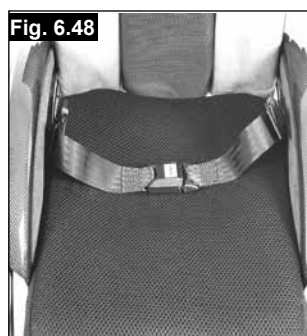
Heupgordel

⚠ GEVAAR!


- Controleer alvorens de rolstoel te gebruiken of de heupgordel is vastgemaakt.
- De heupgordel moet dagelijks
- worden gecontroleerd op slijtage. Tevens moet worden gecontroleerd of de gordel nergens gehinderd wordt.
- Controleer voor gebruik altijd of de heupgordel op de juiste wijze is bevestigd en op maat is gemaakt. Als de gordel te los zit, kan de rolstoelgebruiker naar beneden glijden en bestaat het gevaar op verstikking of ernstig letsel.

De heupgordel dient aan de rolstoel bevestigd te zijn zoals getoond op de afbeeldingen. De gordel bestaat uit twee delen. Ze worden bevestigd d.m.v. de aanwezige schroef, die door het ringetje van de gordel wordt gestoken. De gordel wordt onder de achterzijde van het zijpaneel geleid. (Fig. 6.47)

Pas de gordel zodanig aan dat de sluiting zich in het midden van de stoel bevindt. (Fig. 6.48)

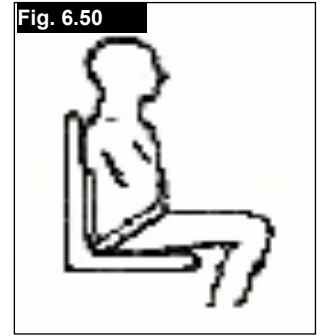


De heupgordel wordt als volgt aangepast aan de wensen van de gebruiker:

Om de lengte van de gordel te verkleinen:	Om de lengte van de gordel te vergroten
	
Haal vervolgens het niet-gebruikte deel van de gordel door de gesp en geleiders. Controleer of de gordel niet om de sluiting is gedraaid.	Om de gordel langer te maken, haalt u het niet-gebruikte deel van de gordel door de geleiders en gesp.

Controleer na het vastmaken de ruimte tussen de gordel en de gebruiker. Als men een vlakke hand tussen de gordel en het lichaam van de gebruiker kan steken (niet meer en niet minder), is de gordel correct aangemeten. (Fig. 6.49)

De heupgordel moet zodanig bevestigd worden dat hij in een hoek van 45 graden over het bekken van de gebruiker valt. Bij het op maat maken dient de gebruiker rechtop en zo ver mogelijk naar achteren te zitten. De heupgordel moet voorkomen dat de gebruiker uit de rolstoel glijdt. (Fig. 6.50)



Om de sluiting te sluiten:
Steek de tanden van de gesp in de sluiting.

Om de sluiting los te maken:
Druk op de zichtbare delen van de tanden van de gesp en duw deze naar binnen, terwijl u tegelijkertijd de gesp rustig uit elkaar trekt.

⚠ WAARSCHUWING!

- Indien u vragen of twijfels heeft over het gebruik en de wijze van gebruik van de heupgordel, vraag dan advies aan uw medische begeleider, rolstoeldealer, verzorger of begeleider.
- Neem contact op met uw erkende Sunrise Medical dealer als u een heupgordel opnieuw wilt bevestigen.
- Controleer de gordel dagelijks op slijtage of de gordel goed op maat is en of hij nergens op vastloopt of geklemd wordt.
- Sunrise Medical raadt ten zeerste af om tijdens het transport van een persoon in een voertuig deze heupgordel als veiligheidsgordel te gebruiken.



Zie ook de speciale brochure van Sunrise Medical over transport.

Onderhoud:

Controleer de gordel en de bevestigingsmaterialen geregeld op slijtage of beschadiging. Vervang de gordel indien noodzakelijk.

⚠ WAARSCHUWING

De heupgordel dient aangepast te worden aan de uiteindelijke gebruiker zoals hierboven omschreven. Sunrise Medical adviseert de lengte en bevestiging van de gordel regelmatig te controleren om te voorkomen dat de gordel onbedoeld te lang wordt.

Transitwielen

Transitwielen (Fig. 6.51)

U kunt transitwielen gebruiken wanneer uw rolstoel met zijn gewone achterwielen te breed is. Nadat u de achterwielen met behulp van de quick-release-assen hebt verwijderd, kunt u de transitwielen onmiddellijk gebruiken om te blijven rijden. De transitwielen zijn zodanig gemonteerd dat ze zich ongeveer 30 mm boven de grond bevinden wanneer u ze niet gebruikt. Ze zitten dus niet in de weg wanneer u rijdt, tijdens transport, of wanneer u de rolstoel kantelt om over hindernissen te rijden.

⚠ OPGELET!

Uw rolstoel heeft geen wielvergrendelingen wanneer u de transitwielen gebruikt.

Fig. 6.51



7.0 Banden en montage

Standaard wordt de rolstoel met massieve rubberbanden geleverd.

Wanneer de rolstoel is voorzien van luchtbanden, controleer dan regelmatig of de banden op de juiste spanning zijn. Een onjuiste bandenspanning kan de prestaties van de rolstoel beïnvloeden. Als er niet genoeg druk op de banden staat, zal de rolweerstand toenemen waardoor u een grotere inspanning moet leveren om de rolstoel voort te bewegen; bovendien maakt een lage bandendruk de rolstoel minder wendbaar. Als de bandendruk te groot is, kan de band springen. De juiste druk voor een bepaalde band staat vermeld op het oppervlak van de band zelf.

De banden zijn op dezelfde manier op de velg aan te brengen als gewone fietsbanden. Alvorens u een nieuwe binnenband oplegt, moet u altijd controleren of er zich geen vreemde voorwerpen bevinden op de basis van de velg en de binnenzijde van de band. Controleer de druk nadat u een band opgelegd of hersteld hebt. Het is voor uw veiligheid en voor de goede werking van uw rolstoel van erg groot belang dat de voorgeschreven luchtdruk altijd gehandhaafd blijft en dat de banden in goede conditie zijn.

8.0 Sticker

Sticker

De sticker bevindt zich of op het kruisframe, of op de dwarsstang van het frame. Ook vindt u een sticker met gegevens in de gebruikershandleiding. Op de sticker met het serienummer staat ook de precieze naam van het model en andere technische gegevens. Wanneer u vervangingsonderdelen bestelt of een schadeclaim indient, moet u de volgende gegevens vermelden:

- Serienummer
- Ordernummer
- Maand/Jaar

VOORBEELD

	SUNRISE MEDICAL		Sunrise Medical GmbH Kahlbachring 2-4 D-69254 Malsch / Germany		2021-06-23
TYPE:	Rollstuhl	SN	203211733451939		
Easy Life	ISO 7176-19:2008				
	140 kg		max 10°		460 mm
	440 mm				

TYPE:	Naam product, SKU nummer	
	max X°	De maximale veiligheidsmarge bij hellingen met anti-tip wielen hangt onder andere af van de instellingen, postuur en fysieke capaciteiten van de gebruiker.
	XXX mm	Breedte zitsysteem.
	XXX mm	Diepte (max.)
	XXX kg	Maximale belasting.
	UKCA	UKCA-keurmerk.
	CE	CE-keurmerk.
	i	Raadpleeg de gebruiksaanwijzing
	XXXX-XX-XX	Productiedatum.
	SN	Serienummer.
	MD	Dit symbool betekent Medisch apparaat.
		Adres fabrikant.
	ISO 7176-19:2008	Crashtest met goed gevolg doorstaan in overeenstemming met: ISO 7176-19:2008.
		Adres van de importeur
	UK RP	Verantwoordelijke persoon VK
	CH REP	Het adres van de vertegenwoordiger in Zwitserland

9.0 Algemeen onderhoud

- Als uw rolstoel nat wordt, moet u hem na gebruik afdrogen.
- Om de 8 weken ongeveer moet u een klein beetje naaimachine-olie op de quick-release-assen aanbrengen. Afhankelijk van hoe frequent u uw rolstoel gebruikt, raden we aan dat u om de 6 maanden met uw rolstoel naar uw dealer gaat waar gespecialiseerd personeel hem kan nakijken.
- Er zijn geen verdere maatregelen nodig als u de rolstoel voor langere tijd wilt opbergen. Zorg ervoor dat de rolstoel op kamertemperatuur op een droge locatie wordt opgeborgen, beschermd tegen fel zonlicht. Voordat de rolstoel weer in gebruik wordt genomen, moet hij door een erkende dealer worden nagekeken.

OPGELET!

Zand en zeewater (of zout in de winter) kan de rollagers van de voor- en achterwielen beschadigen. Maak de rolstoel grondig schoon nadat die aan zand en zeewater is blootgesteld.

De onderstaande onderdelen kunnen worden verwijderd en voor reparatie teruggezonden naar de fabrikant/dealer:

- Achterwielen
- Armsteunen
- Anti-tip wielen

Deze onderdelen zijn als reserveonderdelen beschikbaar. Meer informatie hierover vindt u in onze onderdelencatalogus.

Hygiënemaatregelen bij hergebruik:

Voordat de rolstoel door een nieuwe gebruiker in gebruik genomen wordt, moet de stoel zorgvuldig worden voorbereid. Alle oppervlaktes waarmee de gebruiker in aanraking komt, moeten behandeld worden met een desinfecterende spray. Hiertoe moet u een desinfectiemiddel gebruiken dat in uw land is toegestaan/wordt geadviseerd voor snelle, op alcohol gebaseerde ontsmetting van medische producten en medische hulpmiddelen die snel gedesinfecteerd moeten worden. Wees u bewust van en volg de instructies van de fabrikant van het desinfecterende middel dat u gebruikt. Over het algemeen kan op de naden van de rolstoel geen volledige ontsmetting worden gegarandeerd. We adviseren zitting- en rugbanden (slings) te verwijderen volgens de voor u geldende wetgeving inzake infectiebescherming om microbacteriële bestemming met actieve agentia te voorkomen.

Hygiënemaatregelen als de stoel wordt gebruikt door nieuwe gebruiker:

Wanneer de rolstoel door een nieuwe gebruiker in gebruik wordt genomen, moet de rolstoel zorgvuldig schoongemaakt worden, waarbij met desinfecterende spray alle oppervlakten waar de nieuwe gebruiker mee in aanraking komt, worden gereinigd.

Als dit snel moet gebeuren, gebruik dan een vloeibaar desinfecterend middel op basis van alcohol, dat geschikt is voor medische producten en apparaten. Let op de instructies van de fabrikant van het ontsmettingsmiddel dat u gebruikt.

10.0 Mogelijke problemen

Rolstoel trekt naar één kant

- Controleer bandendruk
- Controleer of het wiel vlot draait (lagers, as)
- Controleer hoeken van zwenkwielen.
- Controleer of beide voorwielen de grond goed raken.

Voorwielen beginnen te wiebelen

- Controleer hoeken van zwenkwielen.
- Controleer of alle bouten vast zitten; draai ze indien nodig vast (zie hoofdstuk over de koppelsleutel)
- Controleer of beide voorwielen de grond goed raken.

Rolstoel piept en rammelt

- Controleer of alle bouten vast zitten; draai ze indien nodig vast (zie hoofdstuk over de koppelsleutel)
- Breng een beetje smeerolie aan op plaatsen waar beweegbare delen met elkaar in contact komen

Rolstoel begint te wiebelen

- Controleer hoek waarin voorwielen ingesteld zijn
- Controleer bandendruk
- Controleer of achterwielen verschillend ingesteld zijn

11.0 Afvalverwerking / recycling van materialen

OPMERKING: Wanneer u de rolstoel gratis heeft ontvangen, is deze mogelijk niet uw eigendom. Wanneer u de rolstoel niet langer nodig hebt, volg dan de instructies op van de organisatie van wie u de rolstoel hebt ontvangen. De organisatie wil de rolstoel vermoedelijk terug hebben.

De onderstaande informatie heeft betrekking op de in de rolstoel en verpakking gebruikte materialen, voor wat betreft de afvalverwerking of recycling van de rolstoel en het verpakkingsmateriaal.

Er kan specifieke wetgeving bestaan in uw land of woonplaats; neem deze wet- of regelgeving in overweging, wanneer u de rolstoel naar de afvalverwerking wilt brengen. (Dit kan inhouden dat u de stoel voor verwijdering naar de afvalverwerking moet schoonmaken en ontsmetten).

Aluminium: Vorken van zwenkwielen, wielen, frame zijkant, armsteunen, frame, beensteunen, duwhendels.

Staal: Bevestigingen, quick release as

Plastic: Handgrepen, dopjes van buizen, zwenkwielen, voetplaten, armsteunen en 12" wiel/band

Verpakking: Lage-dichtheid polyethyleen zak, kartonnen doos.

Bekleding: Geweven polyester met PVC coating en geëxpandeerd gevormd schuim.

Afvalverwerking of recycling dient plaats te vinden via een erkende agent, afvalverwerking met vergunningen. Als alternatief kunt u uw handbike ook terugbrengen naar uw dealer voor verdere afvalverwerking.



12.0 Technische specificaties

Technische specificaties

Totale breedte:

Met standaard wielen, incl. hoepels, montage smal:

- in combinatie met afgeronde zijanten: ZB + 200 mm
- in combinatie met aluminium zijanten: ZB + 180 mm
- in combinatie met plastic kledingbeschermer: ZB + 190 mm
- Wanneer een extra smalle hoepel wordt gemonteerd de totale breedte neemt met 20 mm af

Totale breedte wanneer ingeklapt:

- met achterwielen ongeveer 300 mm
- zonder achterwielen ongeveer 250 mm

Gewicht in kg:

- Vervoer (zonder voetensteun, wielen, zijanten) 7 kg
- Voetsteun (eenheid): 0,8 kg
- Zijkant (eenheid) 1,3 kg
- Wielen (per stuk) 2,2 kg

Max. gebruikersgewicht:

- Easy Life tot een gebruikersgewicht van 140 kg (136 kg getest in crashtest)

AANVULLENDE OPMERKINGEN

Overeenkomstig EN12183: 2009 zijn alle hier opgenoemde onderdelen (zitting, bekleding rugleuning, armkussen, zijbescherming, ...) vuurresistent zoals omschreven in EN1021-2.

WAARSCHUWING!

De werking van de Dynamic beveiliging hangt af van de instellingen van de stoel, de capaciteiten van de gebruiker en de rijstijl. Omdat Sunrise Medical vooraf niet kan voorzien hoe de capaciteiten en rijstijl van de gebruiker is, kan de maximale veilig te nemen helling niet worden bepaald. Daarom moet dit door de gebruiker worden bepaald, samen met een begeleider, die kan voorkomen dat de rolstoel kantelt.

Sunrise Medical adviseert onervaren gebruikers anti-tip wielen te laten installeren.

De rolstoel voldoet aan de volgende vereisten:

- Vereisten en testmethodes voor statische krachten, botskrachten en materiaalmoetheid (ISO 7176-8)
- Vereisten voor weerstand bij starten in overeenstemming met ISO 7176-16 (EN 1021-1)

Fig. 35

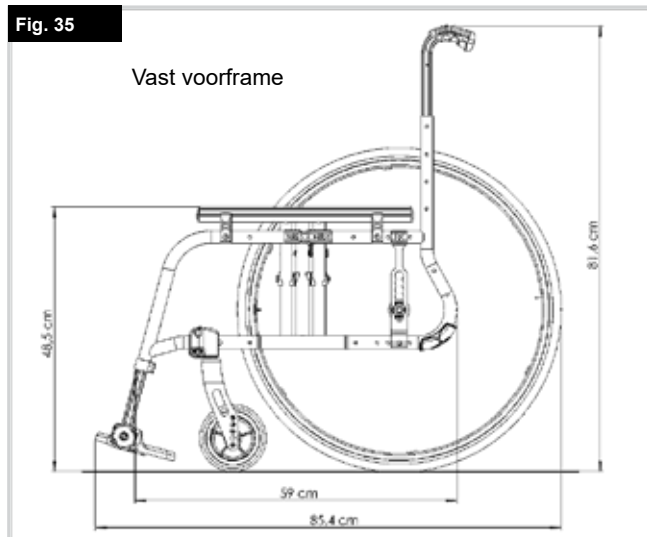
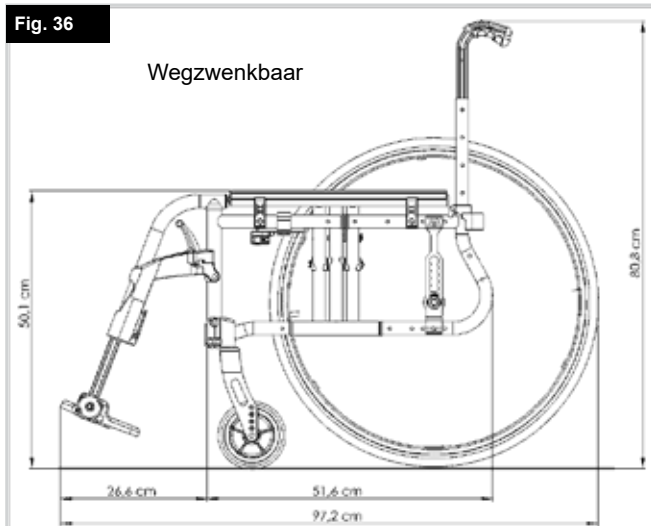


Fig. 36









Sunrise Medical S.r.l.
Via Riva, 20 – Montale
29122 Piacenza
Italia
Tel.: +39 0523 573111
Fax: +39 0523 570060
www.SunriseMedical.it

Sunrise Medical AG
Erlenauweg 17
CH-3110 Münsingen
Schweiz/Suisse/Svizzera
Fon +41 (0)31 958 3838
Fax +41 (0)31 958 3848
www.SunriseMedical.ch

Sunrise Medical AS
Delitoppen 3
1540 Vestby
Norge
Telefon: +47 66 96 38 00
post@sunrisemedical.no
www.SunriseMedical.no

Sunrise Medical AB
Neogatan 5
431 53 Mölndal
Sweden
Tel.: +46 (0)31 748 37 00
post@sunrisemedical.se
www.SunriseMedical.se

MEDICCO s.r.o.
H – Park, Heršpická 1013/11d,
639 00 Brno
Czech Republic
Tel.: (+420) 547 250 955
Fax: (+420) 547 250 956
www.medicco.cz
info@medicco.cz
Bezplatná linka 800 900 809

Sunrise Medical Aps
Mårkærvej 5-9
2630 Taastrup
Denmark
+45 70 22 43 49
info@sunrisemedical.dk
Sunrisemedical.dk

Sunrise Medical Australia
11 Daniel Street
Wetherill Park NSW 2164
Australia
Ph: +61 2 9678 6600
E: enquiries@sunrisemedical.com.au
www.SunriseMedical.com.au

Sunrise Medical
North American Headquarters
2842 Business Park Avenue
Fresno, CA, 93727, USA
(800) 333-4000
(800) 300-7502
www.SunriseMedical.com



Sunrise Medical GmbH
Kahlbachring 2-4
69254 Malsch/Heidelberg
Deutschland
Tel.: +49 (0) 7253/980-0
Fax: +49 (0) 7253/980-222
www.SunriseMedical.de

Sunrise Medical
Thorns Road
Brierley Hill
West Midlands
DY5 2LD
England
Phone: 0845 605 66 88
Fax: 0845 605 66 89
www.SunriseMedical.co.uk

Sunrise Medical S.L.
Polígono Bakiola, 41
48498 Arrankudiaga – Vizcaya
España
Tel.: +34 (0) 902142434
Fax: +34 (0) 946481575
www.SunriseMedical.es

Sunrise Medical Poland
Sp. z o.o.
ul. Elektronowa 6,
94-103 Łódź
Polska
Telefon: + 48 42 275 83 38
Fax: + 48 42 209 35 23
E-mail: pl@sunrisemedical.de
www.Sunrise-Medical.pl

Sunrise Medical B.V.
Groningehaven 18-20
3433 PE NIEUWEGEIN
The Netherlands
T: +31 (0)30 – 60 82 100
F: +31 (0)30 – 60 55 880
E: info@sunrisemedical.nl
www.SunriseMedical.nl

Sunrise Medical HCM B.V.
Vossenbeemd 104
5705 CL Helmond
The Netherlands
T: +31 (0)492 593 888
E: customerservice@sunrisemedical.nl
www.SunriseMedical.nl
www.SunriseMedical.eu
(International)

Sunrise Medical SAS
ZAC de la Vrillonnerie
17 Rue Michaël Faraday
37170 Chambray-Lès-Tours
Tel : +33 (0) 2 47 55 44 00
Email: info@sunrisemedical.fr
www.sunrisemedical.fr

