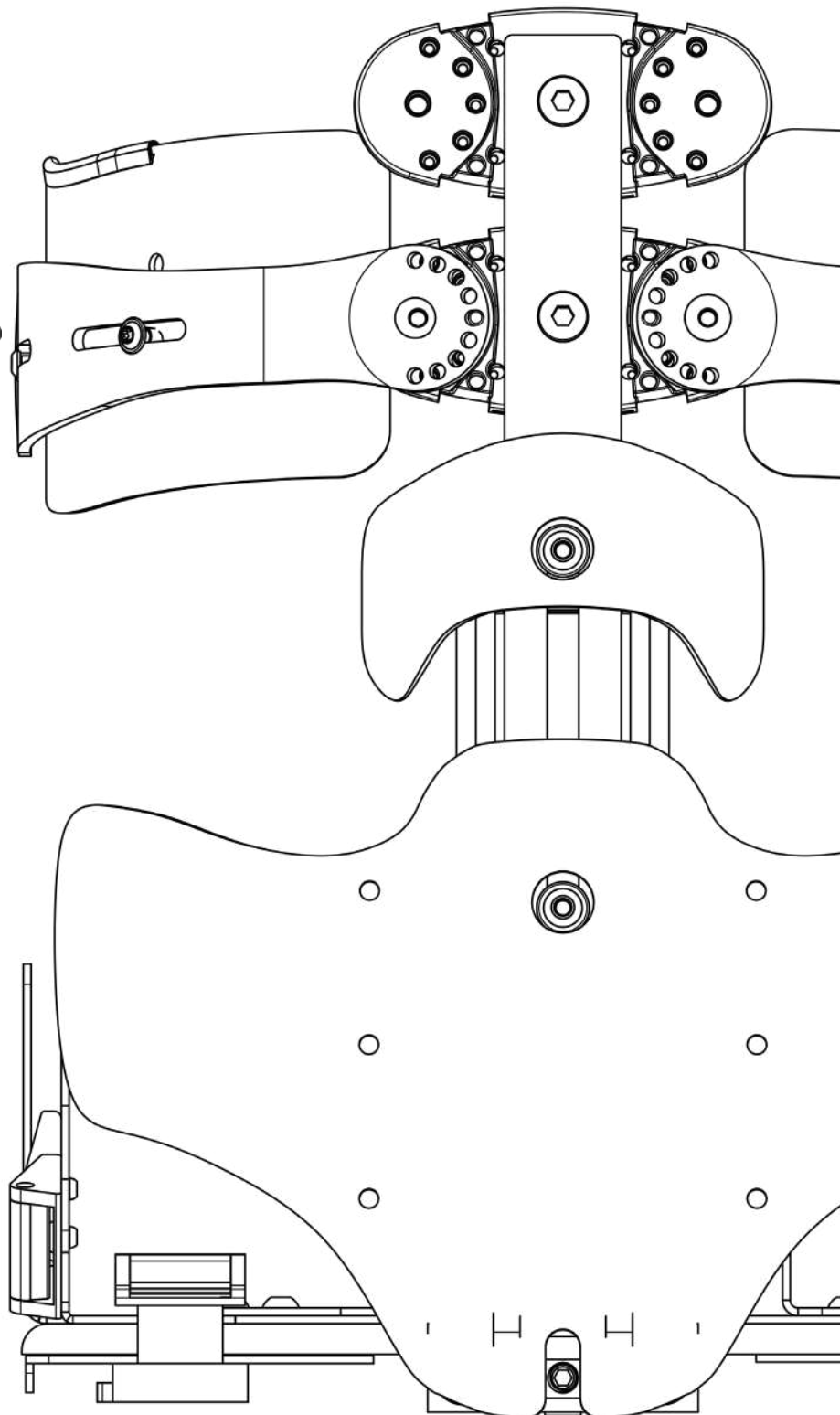


# Kid Pro

## Technical data *sheet*

English

Visit our Website  
[www.tartadesign.it](http://www.tartadesign.it)  
to discover all our  
products.





## Main features

### Moldable

Designed to guarantee the maintenance of a correct sitting position and moldable according to the measurements taken directly from the child, in order to compensate for postural deformities, prevent fatigue and allow daily activities.

### Flexibility

The possibility to adjust the flexibility of the backrest favours carrying out the daily activities of the child in absolute freedom guaranteeing postural needs.



### Recommended age

Available in two sizes:  
From 3 to 6 years  
From 5 to 8 years



Washable at 30°

### Design

We are convinced that the aesthetics of the product is as important as the technical characteristics. The design of the Kid Pro was designed to be essential and neutral so that it can easily be matched with any base.

### Mobility bases

Easy to interface with the main wheelchairs (with and without fabric), tilting bases, pushchairs and indoor bases in the market.

# Technical specifications



Technical data	Kid Pro 01	Kid Pro 02
<b>General</b>		
Age	3-6 years	5-8 years
Maximum user weight	30 kg	35 kg
Weight of the seat unit	4,5 kg	5 kg
<b>Seat</b>		
Seat depth	27-35 cm	33-41 cm
Seat width	18-29 cm	22-33 cm
Width at the knee	6-9 cm	6-9 cm
Abduction angle	+20°	+20°
Adduction angle	-10°	-10°
<b>Backrest</b>		
Backrest height	30-38 cm	36-44 cm
Chest pad height	25-36 cm	31-42 cm
Chest pad depth	14-17 cm	16-19 cm
Backrest width	16-26 cm	22-30 cm
Lumbar support width	18-26 cm	18-28 cm
Back angle	-5° / +25°	-5° / +25°
Armrest height	13-19 cm	13-19 cm

The measurements shown in the table are to be considered purely indicative as the intervention of a specialised technician and the wide availability of components and materials, specially designed for the purpose, allow a perfect reconstruction of the anatomical forms of the assisted person. A tolerance related to the padding and cover should also be considered.

# Seat



## Seat depth



- | **Size 01** cm 27-35
- | **Size 02** cm 33-41



## Seat width



- **Size 01** cm 18-29
- **Size 02** cm 22-33



## Width at the knee



- **Size 01** cm 6-9
- **Size 02** cm 6-9



## Abduction angle



-



-

- - **Size 01**      +20°
- - **Size 02**      +20°



## Adduction angle

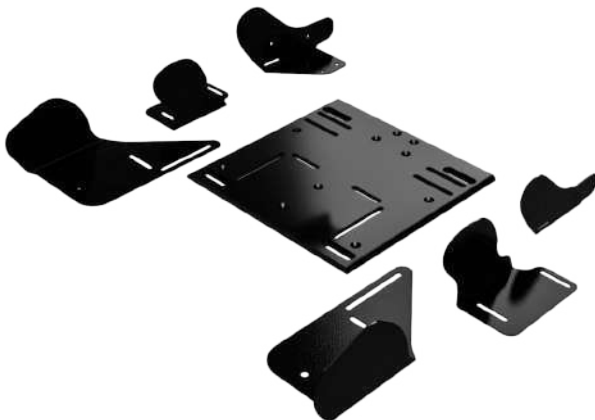


-



-

- - **Size 01**      -10°
- - **Size 02**      -10°



For the realization of a personalized seat, as required by a specialist prescription, it is possible to order only the seat module structure with containment elements, the fabric and other possible components, leaving to the technician the production and the modelling of the parts necessary for the configuration of a made to measure seat.

# Backrest




## Height backrest



| **Size 01** cm 30-38


| **Size 02** cm 36-44

┌ Height: The indicated values are measured from the seat level to the underarm measurement. 



## Flexibility regulation




┌ The backrest has a mechanism designed to adjust the flexibility. It is possible to have a backrest completely rigid or flexible according to our needs. 



## Reclining backrest



**Reclination degrees:** -5° +25°

┌ By tightening or loosening the joint screw placed between the backrest and the seat, the backrest can be tilted. 



## Backrest width



### Approximate wrap around:

**lumbar zone:** 18 to 28 cm

**chest zone:**

**Size 01:** 16-26 cm

**Size 02:** 22-30 cm



## Chest pad height and depth



### Height

**Size 01**

cm 25-36

**Size 02**

cm 31-42

### Depth

**Size 01**

cm 14-17

**Size 02**

cm 16-19



For the realization of a specially built backrest by custom-made processing with tests carried out directly on the patient, it is possible to purchase the backrest module structure and, depending on the needs, the staves, the vertebrae and the plastic supports that, suitably bent, molded, padded and upholstered, can contribute to the realization of the required device.

## Accessories



Standard headrest



Mandibular support



Universal headrest adapter



Tray

## Positioning



Extra thoracic lateral support



Chest support



4-point harnesses



Shoulder supports



Armrests



Elbow support



Seat wedges



Pelvic harnesses size 01-02



Extension leg containment



Single plate footrest



Double plate footrest

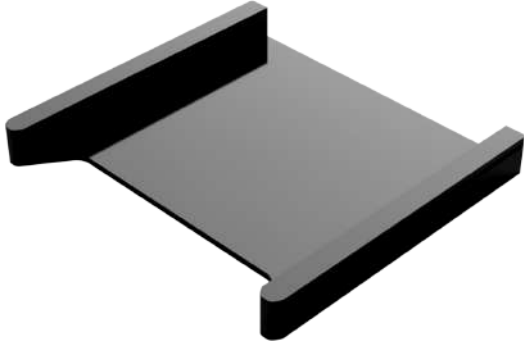


Sandals



# Interfaces

## Universal interface for rigid base



Universal interface designed to be applied to multiple movement aids including pushchairs, wheelchairs and high-low bases.

## Wheelchair interface with screws on seat fabric

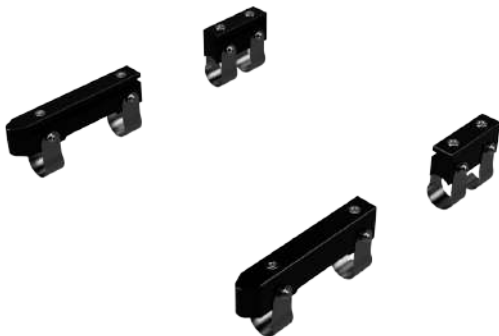
Interface dedicated to wheelchairs with fastening system of the seat fabric on the frame by means of screws.

The interface consists of guides extremely easy to assemble and, in the case of folding wheelchairs; do not affect the closing of the wheelchair.

For wheelchairs **from 28 to 34 cm.**



## Wheelchair interface without screws on seat fabric



Interface designed for wheelchairs that do not use the fastening system of the seat fabric on the frame by means of screws.

It can be used on rigid and folding frame wheelchairs.

For wheelchairs **from 28 to 34 cm.**

# Some examples of applications



Universal interface for rigid base



Wheelchair interface with screws on seat fabric



Wheelchair interface without screws on seat fabric





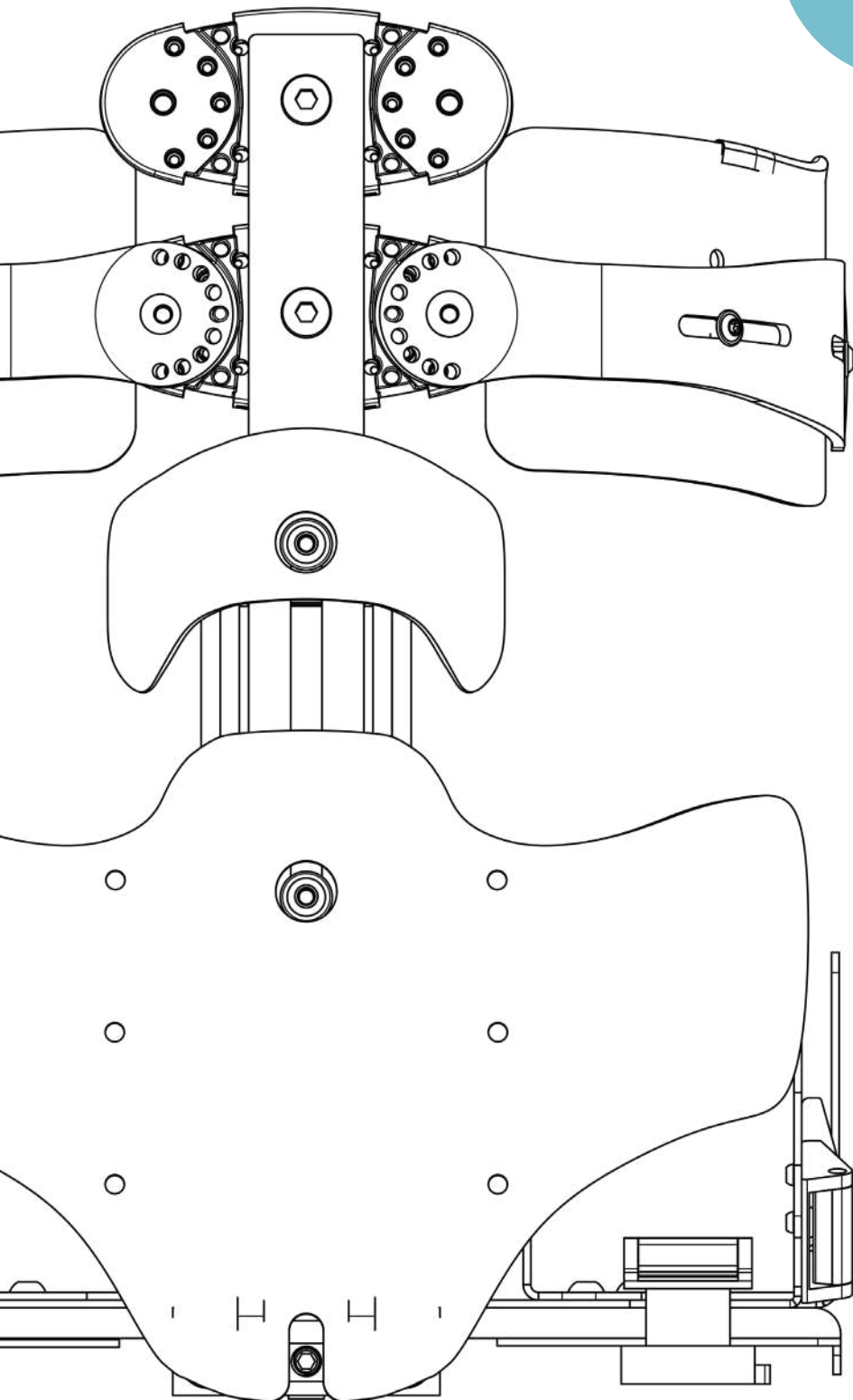
## Adjustable base height (only with Kid Pro size 01)



### Characteristics

- ① adjustable in height  
height seat from 55 to 80 cm
- ② tilting base from 8° to 22°
- ③ equipped with wheels
- ④ foldable





Questions?  
Information?  
Curiosity?

Visit our Website:  
[www.tartadesign.it](http://www.tartadesign.it)

or write us at:  
[info@tartadesign.it](mailto:info@tartadesign.it)



## **Tarta Design srl**

Via Cottonificio, 56  
33037 Pasian di Prato  
Udine - Italy  
T +39 0432 722 533  
F +39 0432 542 920

**[www.tartadesign.it](http://www.tartadesign.it)**  
[info@tartadesign.it](mailto:info@tartadesign.it)