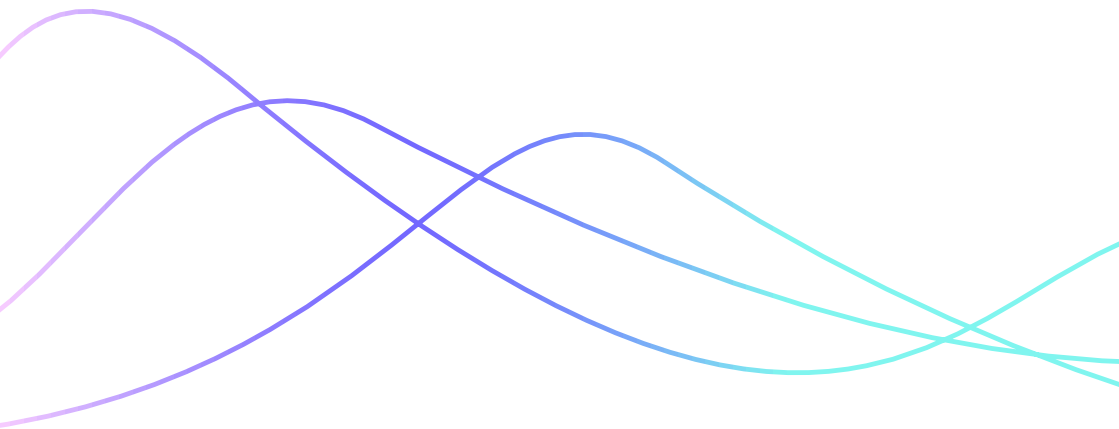
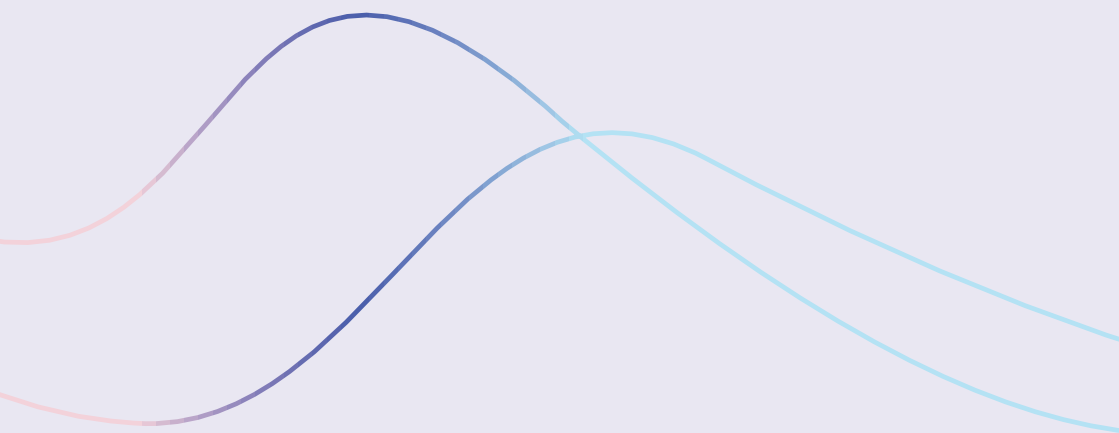




WheelAir

Cushion Cover V2
Instructions for Use





Contents

04	Hello!
05	Contacts
06	Description
08	Specifications
10	Sustainability and Disposal
12	Installation
16	Operation
18	Charging
19	Care and Maintenance
20	Transportation and Storage
21	Troubleshooting
22	Warnings, Precautions and Safety
23	Symbols
24	Packaging Symbols
25	Warranty
26	Declaration of Conformance
27	Effects of Electromagnetic Interference

Hello!

Thank you for choosing WheelAir®. We hope you will enjoy the effects of full temperature and relative humidity control. Please read and understand this user manual before using the product and save it for future reference.

Product name: WheelAir Cushion Cover

The WheelAir Cushion Cover is a cover for a cushion to be used with a wheelchair. The product is designed to reduce temperature and relative humidity by blowing air through the user's own cushion. It may be used to replace a cushion's existing cushion cover.

Mission

At WheelAir our mission is to use the power of airflow to prevent heat and moisture related issues for wheelchair users, while contributing to the conversation and education around the topics of heat, moisture and relative humidity in seating.

This manual contains important information to install, use and care for your WheelAir Cushion Cover V2.

Important Product Information



Read carefully before use, store safely for future reference.

Contacts

Manufacturer

WheelAir International B.V.
318C 's-Gravenweg, 2911 BK
Netherlands

Telephone: +31 (0) 180 23 40 93
E-Mail: info@wheelair.co.uk / info@wheelair.eu
Website: wheelair.co.uk / wheelair.eu

Distributor



Latest product information and updates may be found at wheelair.co.uk / wheelair.eu

Description

The WheelAir Cushion Cover is a wheelchair product designed to replace the user's current cushion cover. The system is designed to improve user comfort by lowering temperature and relative humidity. This is achieved by channeling inducted air over the user's seat surface using WheelAir's patented Fluid Flow Channel technology. Airflow can be varied using a wireless multispeed Controller giving six options of airspeed. Up to 27 hours of continuous use can be achieved from a single battery charge (dependent upon fan speed settings).

Fanbox and Controller are charged via a USB-C connection. Typical charge time is approximately 2 hours to 80% capacity.

The WheelAir Cushion Cover V2 is suitable for all wheelchair users.



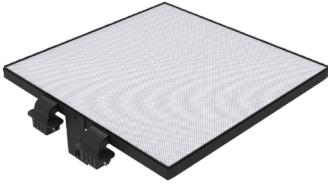
The WheelAir Cushion Cover V2 requires an air-permeable cushion for the airflow generated by the Fanbox to be felt and have an effect.



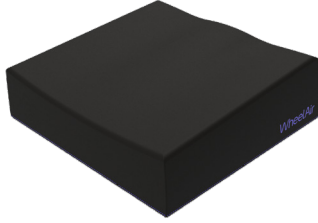
The level of cooling achieved is at the discretion of the User. Where the User is impaired and unable to control the Device, responsibility for control and levels of cooling will be with the designated Carer.

Key Components	
01	Cushion Base
02	Top Cover
03	Fanbox
04	Controller
05	Fanbox Charger
06	Remote Charger Cable
Cushion Base also comprises	
07	Channels (2) in Foam
08	Nozzle channel magnets 90° (2)

01



02



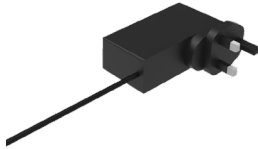
03



04



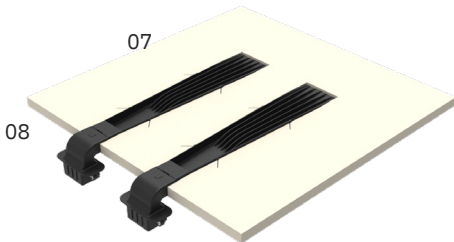
05



06



Cushion Base:



07

08

Specification

Fanbox Size	265mm x 105mm x 39mm
Weight	Smallest size: 660g; Largest size: 860g; Fanbox 560g
Power	Fanbox Lithium-Ion 3.7V 8000mAh Controller Lithium-Ion 3.7V 259mAh
Charge Time	Typical 2 hours to 80%
Charger	Medical Grade 18W USB-C
Run Time	Up to 27 hours dependent on fan speed setting
Fan Speed Settings	6
Fan Lifetime	>70,000 hours
Max User Weight	N/A, see own cushion
Materials	Covers: 100% polyester Cushion: foam + synthetic rubber channels Fanbox: ABS/PC
EMC Certification	IEC60601-1-2
Fire Testing	EN 1021-2-2014
Air Travel & Battery Safety	UN38.3: Fanbox and Controller may be transported as hand luggage on commercial airlines

Operating Environmental Conditions

Environment - Operation

Temperature	5 – 40°C / 41 – 104°F
-------------	-----------------------

Relative Humidity (non-condensing)	30 – 80 %
------------------------------------	-----------

Air Pressure	700 – 1060 hPa
--------------	----------------

Environment – Transport & Storage

Temperature	-10 – 65°C / 32 – 149°F
-------------	-------------------------

Relative Humidity (non-condensing)	30 – 95%
------------------------------------	----------

Air Pressure	700 – 1060 hPa
--------------	----------------

Sustainability and Disposal

Sustainability and quality are two of our core values, which is reflected in the materials we use.



This Device contains no natural rubber, is latex free, and has no animal leather.



WheelAir International B.V. and its distributors comply with the EU WEEE and Battery directives so this device may not be disposed of as part of normal household waste. Please contact your distributor for details when you wish to dispose of this product so that it can be recycled correctly.

WheelAir parts may be replaced individually – please contact your Distributor for details.

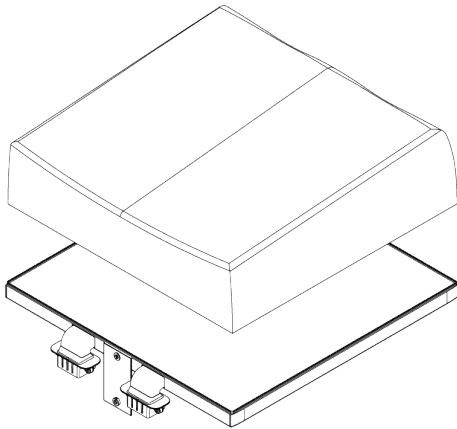


Installation

The Cushion Cover is designed to fit air permeable cushions, and is currently available in 12 sizes.

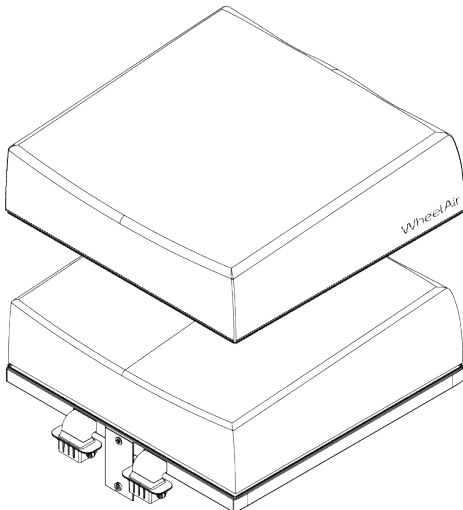
Choose the Cushion Cover size which most closely fits your own cushion size.

If the cushion has an incontinence cover, this has to be removed before use to allow the Fanbox airflow filter through the cushion.



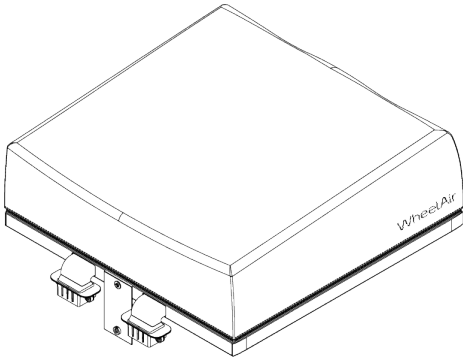
1.

Remove existing cushion cover from own cushion (and its incontinence cover if applicable). Place own cushion on top of Cushion Base. The back side of the cushion should sit above the Nozzle Channel Magnets 90°.



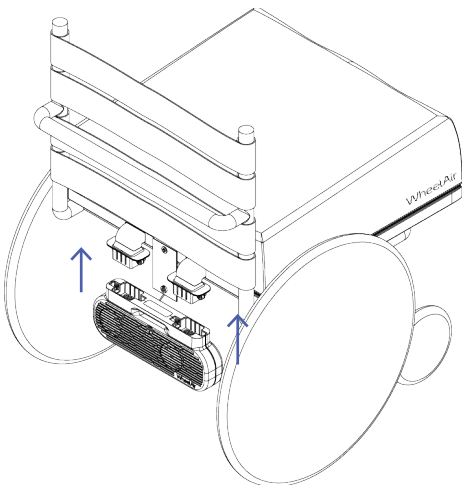
2.

Fit Top Cover over the cushion.



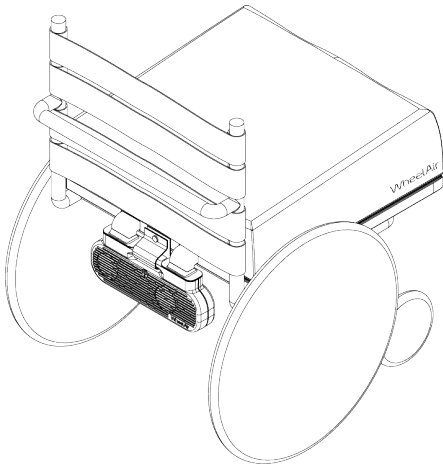
3.

Close zip and make sure cushion fits well inside Cushion Cover. Place Cushion Cover in wheelchair.



4.

Attach Fanbox to Slingback adapters using the magnets.



5.

Secure Fanbox using the magnetic strap. You are now ready to use your Cushion Cover.

Operation

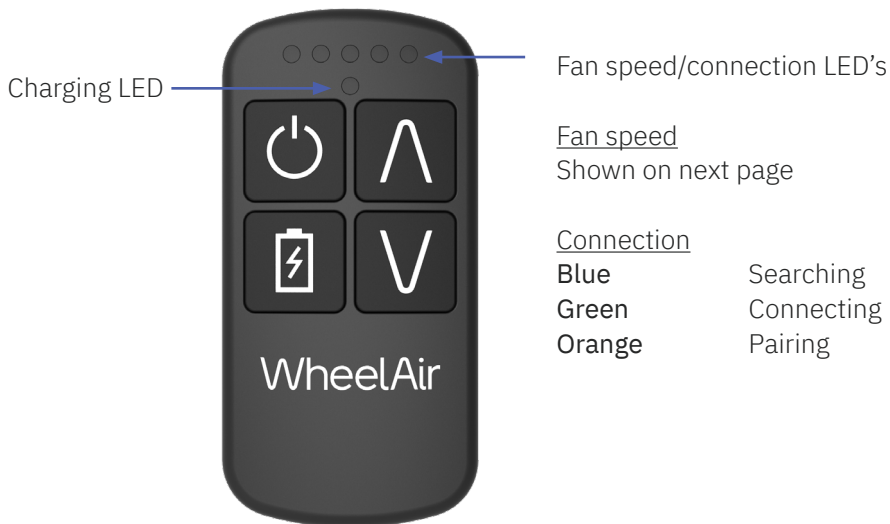
Turning the Fanbox on from Flight Mode

When not in use, storing or travelling, the Fanbox should be kept in Flight Mode. To put the Fanbox in or out of Flight Mode, hold down Fanbox button for 5 seconds. The Controller will not communicate with the Fanbox when the Fanbox is in Flight Mode. The Flight Mode setting preserves the battery and deactivates the Bluetooth®.

Turning the Fanbox on from Standby

The Fanbox is turned on by pushing the Controller Standby button. The indicator light strip will flash blue to show Bluetooth® is searching for connection and turn green when connection is made with the Fanbox.

Controller Operation



The Controller buttons function with mid (c. 3 seconds) and short (instantaneous) presses.

	Short Press	Mid Press
Standby	Connect	Standby Mode
Up Arrow	Fan +1	Fan Maximum
Down Arrow	Fan -1	Fan Minimum
Battery	Fanbox Charge State	Controller Charge State



Don't run the fans on Max speed when the Fanbox battery indicator flashes red.



When no LED's are flashing on Fanbox, the Fanbox is in Flight Mode or out of battery.



The fans will not react if the Fanbox button is held down accidentally for longer than 10 seconds.



Using the Fanbox button will override the Controller. Press the Controller Standby button to regain control. Fans will turn off.

LED Indicator



Fanbox

The Fanbox can also be controlled with the Fanbox button.

Short	Fan +1 (up to max and then cycles from min.)
Long (c. 5 Seconds)	Standby Mode / Flight Mode

Typical Runtimes

Fan Speed 1	c. 27 hours
Fan Speed 2	c. 22 hours
Fan Speed 3	c. 17 hours
Fan Speed 4	c. 15 hours
Fan Speed 5	c. 12 hours
Max	c. 4.5 hours





Charging

The Fanbox can be charged whether removed or attached to the wheelchair.

Connect Charger to the Fanbox and connect the Controller with the Controller Charging Cable as per the diagram below, or charge separately.

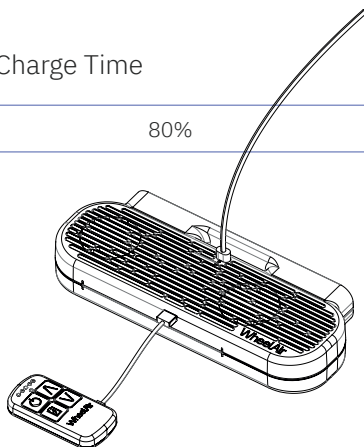
Fanbox LED and single controller LED will show charging state.

Pulsing Red	Low charge
Pulsing Orange	50% charged
Solid Green	Fully charged

-  Charge Controller separate if Fanbox is completely out of battery. Alternatively, charge Fanbox first before connecting Controller if both are low on battery.
-  Controller won't take charge from Fanbox if Fanbox is in flight mode.
-  Fanbox charge LED lights up when plugging in the charger. If completely out of battery, charge LED can take up to 1h to appear.
-  Make sure charger is pressed deep enough into Fanbox. Fanbox and Controller will become warm when charging.

Typical Charge Time

2 Hours 80%



Care and Maintenance

Cleaning

Light cleaning: wipe surfaces with a damp cloth.

Dusty fans: Detach Fanbox and clean fan inlets.
We recommend the use of a compressed air can.

The Cushion Cover can be washed at 60°C and line dried.
Do not tumble dry. Remove Foam, Channels and Nozzles before washing.



Do not immerse Fanbox in water.

Usage in Rain

The Fanbox is splashproof and is not likely to be damaged when used in light to moderate rain. The electronics are separated from the fan inlets and drain holes were added to the bottom of the Fanbox. The product is not fully waterproof.

Service and Repair

If your device needs service or repair, contact your Distributor.



This product must only be repaired by WheelAir approved personnel and with WheelAir approved parts.



Only WheelAir parts and service providers may be used in order to maintain safety and essential performance with regard to electromagnetic emissions and disturbances.

Transportation and Storage

Aircraft Transportation

The Cushion Cover is designed to be allowed to be taken on commercial airlines. For traveling, remove the Fanbox and put it in Flight Mode. Store together with the Controller in hand luggage.

Long Term Storage

If your Cushion Cover is not going to be used for an extended period (more than 2 months), your Fanbox and Controller should be fully charged before storage and thereafter should be fully charged again at least once every 2 months. Never store your Fanbox and Controller in conditions of extreme heat or cold. Always place your Fanbox in Flight Mode when storing.



Incorrect storage of your Fanbox will diminish the life of the battery.

Troubleshooting

Magnetic Connection

Make sure magnetic adapter is flush with Fanbox before securing the magnetic strap. If the magnet adapter is not flush, readjust the channel or flexible tube position to flatten.

Secure Strap

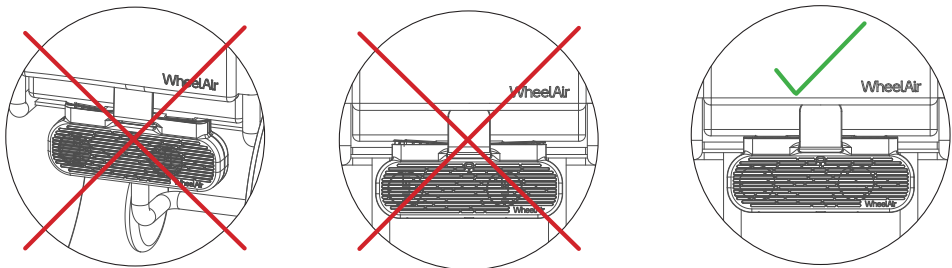
If not using the Fanbox bracket to secure the device to the wheelchair, please produce a safety strap to secure the Fanbox to the wheelchair (upholstery).

Reconnect Controller

Hold down the the Standby button and Up Arrow on the Contoller until the LED's on the Controller flash orange. Then click Fanbox button and the new/ old Controller will be connected.

Fanbox not Charging

Make sure the USB-C charger end is plugged deep enough into the Fanbox charging point. If the Fanbox battery has been out of charge for a long period of time, it can take a few hours before the Fanbox charge LED lights up. Leave the Fanbox to charge overnight.



Warnings, precautions and safety instructions

The WheelAir Cushion Cover may only be used as a wheelchair cushion cover. The use of this product in any other way is considered to be misuse. WheelAir International B.V. or Stael Design LTD cannot be held responsible for damage caused by misuse, improper use or negligence.



This Device is designed for use in a Home Healthcare Environment and must not be used in Emergency Medical Services Environments.



Use only WheelAir approved accessories. Failure to do so will compromise EMC safety and may affect the performance of the device or other devices in the vicinity.



Do not operate the WheelAir without first reading this manual and retain for future reference. If the instructions or warnings are unclear contact your Distributor.



Ensure fan inlets are uncovered when fans are running.



Do not use the WheelAir with any other backrest cushion product.



Only use this Device as instructed in this instruction manual.



The device uses ambient air so regulate the setting accordingly. If you or the user starts showing signs of hypothermia, seek medical attention immediately.



Only the Manufacturer's supplied external power supply may be used.

Symbols

Product Symbols



See User Manual



Battery Symbol



Latex free



CE Mark



Class II. Double Insulated



Manufacturer



Product Reference



Manufacture date (where
XXXX is year manufactured)



Product Serial Number



Bluetooth Communication



AC Current



Standby



DC Current



Party included in recycling
compliance scheme

Packaging Symbols



Fragile, handle with care



Temperature limits



This side up



Recyclable Material



Keep away from rain

Symbols Used in this Manual



Warning Symbol: Warning of a possible hazard may result in serious personal injury and / or damage to the product if instructions are not followed.



Caution symbol: Warning of a possible hazard may result in minor personal injury and / or damage to the product if instructions are not followed.



Information Symbol:
Recommendations to follow.

Warranty

Apart from general wear and tear, we warrant the WheelAir against specific defects for a one year period from the date of the original user's purchase, unless the country specific rules state otherwise. To qualify for warranty, the WheelAir must have its original serial number tag (located on the Fanbox) and you must have proof of purchase. We will send you a prepaid packaging slip to return your WheelAir to us.

Warranties are not transferable.

We do not warrant damage caused by poor treatment, accident, misuse or from improper installation or any exterior modification. We do not warrant if the Fanbox has been opened by the user or dropped/smashed. We do not warrant use in commercial activities, hire, reward or rental. We do not warrant if you simply change your mind after a 14 day return period.

However, we do service our products for a fee if there has been wear and tear or it has passed the warranty period. Claims can be made using the contact information provided in this manual. We do not pay for postage in this instance.

Only express warranties will be accepted – other warranties including implied warranties of merchantability and warranties of fitness for a particular purpose are not accepted. The only express warranties that are accepted are to repair or for replacement of the goods. No damages for breach of any warranty include any consequential damages or exceed the cost of non-conforming goods sold.

Declaration of Conformance

This product is CE marked, and has been designed and tested according to the WEEE directive 2012/19/EU, Battery directive 2013/56/EU, General Product Safety Directive 2001/95/EC, RoHS Directive 2011/65/EC, Packaging and Packaging Waste Directive 94/62/EC and EMC Directive 2014/30/EU. This device is tested to IEC60601-1-2.

Emissions Tested

EN55011:2009 +A1: 2010

Radiated emissions tested only in normal (battery powered) mode. Class B.

Immunity Tested

EN61000-4-2:2009

Tested only in normal (battery powered) mode. Tested at +/- 4kV & +/- 8kV contact, +/- 8kV & +/- 15kV air, Home Healthcare Environment.

EN61000-4-3:2006 + A1:2008 + ISI:2009 + A2:2010

Tested only in normal (battery powered) mode. Tested at 3V/m, 80-6000MHz & 10V/m, 80-2700Mhz plus proximity fields, Home Healthcare Environment.

Radio Tested

EN301 489-17

Tested only in normal (battery powered) mode.

EN55032: 2015

Tested only in normal (battery powered) mode. Class B.

Fire Tested

Tested to EN 1021-1:2014.

Effects of electromagnetic interference on the product and on the user



CAUTION Use of mobile devices with electromagnetic emissions (e.g., mobile phones) should be limited to no closer than 30cm (12 inches) to any part of the Device, including cables specified and supplied by WheelAir.

Unpredictable operation of Device and controlling fan speeds due to interference with the control signals:

Turn off all mobile devices if unpredictable operation of Controller is experienced since the communications may be affected by electromagnetic fields.

Turn the Slingback off when not in use, since the product may generate electromagnetic fields that can cause interference with other devices. The product has been tested according to EMC regulations.

Notwithstanding compliance with all applicable EMC directives and standards, the product can be affected by interference from other electric devices (e.g., department store EAS systems) or cause interference with such devices. If this occurs, move your product outside the interference range. • The Device may be susceptible to electromagnetic interference (EMI), which is interfering electromagnetic energy (EM) emitted from sources such as radio stations, TV stations, amateur radio (HAM) transmitters, two-way radios, and cellular phones. • The interference (from radio wave sources) can inconsistent operation of the Device when changing fan speeds • Because EM energy rapidly becomes more intense as one move closer to the transmitting antenna (source), the EM fields from hand-held radio wave sources (transceivers) are of special concern. It is possible to unintentionally bring high levels of EM energy very close to the Device's control system while using these devices. • Other types of hand-held devices, such as cordless phones, laptop computers, AM/FM radios, TV sets, CD players, and cassette players, and small appliances, such as electric shavers and hair dryers, so far as we know, are not likely to cause EMI problems to your Device.

Thank you for choosing WheelAir! We strive to provide high quality and functional products that never compromise on style.

WheelAir International B.V.,
318C 's-Gravenweg,
Nieuwerkerk a/d IJssel, 2911 BK
www.wheelair.eu / www.wheelair.co.uk

2021 - Version 1
Designed and manufactured in Scotland

WheelAir International B.V. has a policy of continual product improvement and may use their right to amend this document at any time. A current version of this document is available at www.wheelair.co.uk.