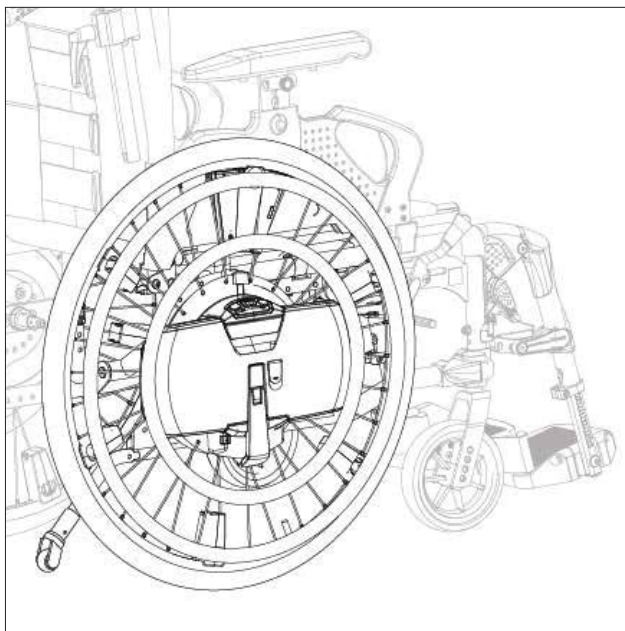


Power assist



WheelDrive

QUICK START FOR
THE USER

EN


QUICKIE[®]

9010043B

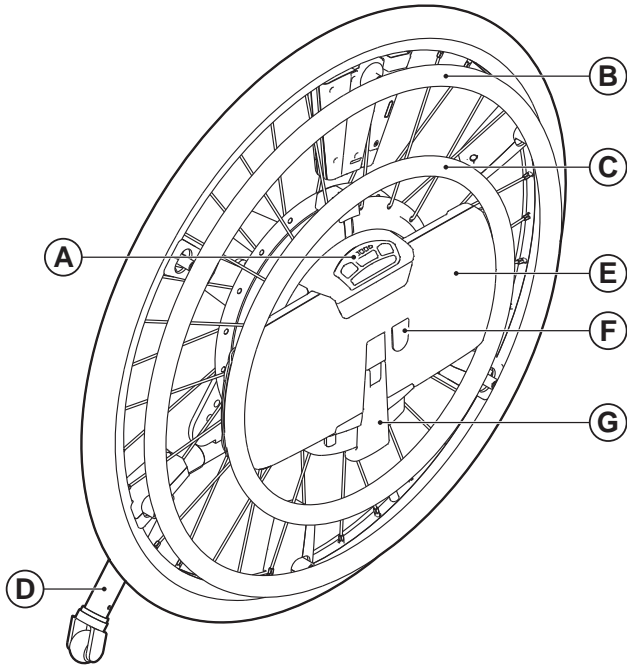
WheelDrive power assist for manual wheelchairs

The innovative WheelDrive power assist easily fits on almost every common manual wheelchair – without any additional parts or changes to the wheelchair. Due to its unique dual rim concept, WheelDrive not only gives extra support while propelling, it also allows for continuous drive. So you always get exactly the support you need.

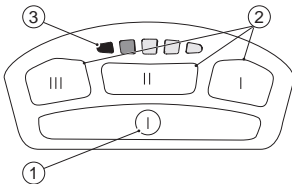


Read the entire user manual carefully before using the product.

- A. Profile buttons
- B. Assist rim
- C. Drive rim
- D. Anti-tip
- E. Battery pack
- F. Charge connector
- G. Wheel handle

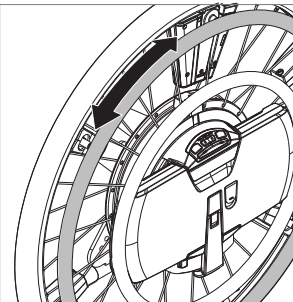


A Activating the WheelDrive



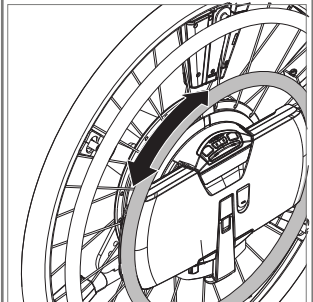
1. Power on/of button
2. Profile buttons I, II and III
3. Battery indicator

B Driving - Assist rim



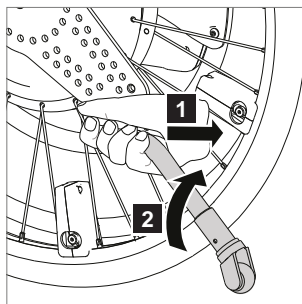
Power support while propelling

C Driving - Drive rim

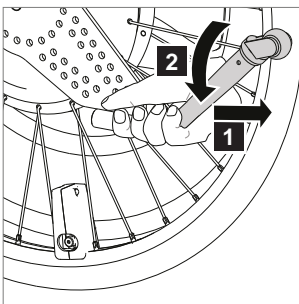


Continuous drive - no propelling required

D Anti-tip settings

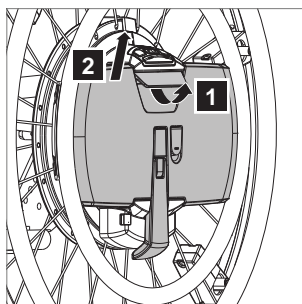


Turn upwards for transport or driving down a curb

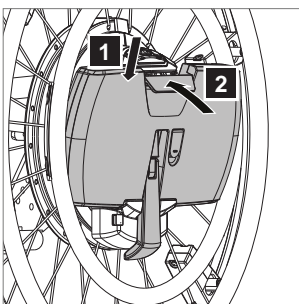


Turn downwards for protective (safe!) position

E Battery packs

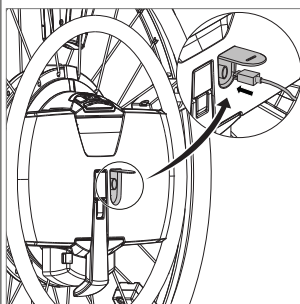


Removing the battery pack

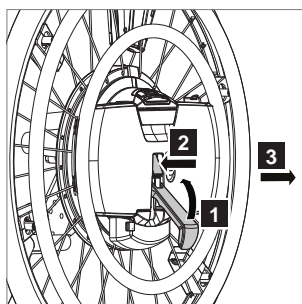


Placing the battery pack

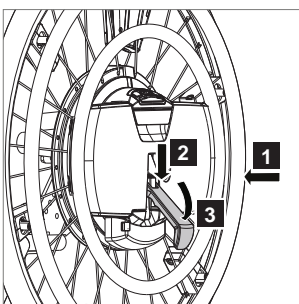
F Charging the batteries



G Dismounting and mounting the wheel



Dismounting the wheel



Mounting the wheel



NL
Sunrise Medical HCM B.V.
Vossenbeemd 104
5705 CL Helmond
The Netherlands
T: +31 (0)492 593 888
E: customerservice@sunrisemedical.nl
www.SunriseMedical.nl
www.SunriseMedical.eu (International)

UK
Sunrise Medical
Thorns Road
Brierley Hill
West Midlands
DY5 2LD
United Kingdom
T: +44 (0) 845 605 66 88
E: enquiries@sunmed.co.uk
www.SunriseMedical.co.uk

Dealer / distributor:

Serial number:



OM_QS_WheelDrive_EU_EN_RevB_2016_05_10