

Invoice to:
 Name:
 Street:
 Town: Postal code:
 E-Mail:
 Tel: Fax:

Deliver to:
 Name:
 Street:
 Town: Postal code:
 E-Mail:
 Tel: Fax:

Order date:
 Purchase order:
 Number required:

Marked for:
 Sunrise order no:

Base Price
£3,595

Fax number: **+44 (0)845 605 66 89**
 Email: **orders@sunmed.co.uk**
 Max User Weight 75Kg
Crash tested and Passed

1. FRAME STYLE

All Zippie TS models grow in width and depth.

<input type="checkbox"/>	187WM65	Folding Growing Zippie TS	£3,595	<input type="checkbox"/>	187WM66	Rigid Growing Zippie TS	£3,596
				<input type="radio"/>	187F02	Additional Rigid Strut Tube	

2. TRANSIT SYSTEM - CRASH TEST BRACKETS

<input type="checkbox"/>	187TO12	Transit Included w/ Seating (Req. Selection of Seat & Back)	£268	<input type="checkbox"/>	187TO9	Transit Included w/o Seating	£295
				<input type="radio"/>	187TO20	Transit Omit	

3. TILT OPTION

<input type="radio"/>	187TT12	Dual Trigger Cable Release		<input type="radio"/>	187TT8	Cable Foot Release (may limit folding width)	
<input type="radio"/>	187VZ01	Criss Cross Cables (cables are longer individually)					
<input checked="" type="radio"/>	187VZ02	Non Criss Cross					

4. FRAME COLOUR

Standard Colours		
<input type="radio"/>	187C2	Black (Not avail as base w/Zebra)
<input type="radio"/>	187C141	Black Cherry
<input type="radio"/>	187C10	Black Opal
<input type="radio"/>	187C38	Blue Opal
<input type="radio"/>	187C36	Candy Blue
<input type="radio"/>	187C141	Candy Purple
<input type="radio"/>	187C35	Candy Red
<input type="radio"/>	187C142	Electric Blue
<input type="radio"/>	187C143	Evergreen
<input type="radio"/>	187C126	Glow
<input type="radio"/>	187C144	Green Apple
<input type="radio"/>	187C147	Hot Sparkle Pink
<input type="radio"/>	187C148	Mauve Pink
<input type="radio"/>	187C103	Rootbeer

Matt Colours		
<input type="radio"/>	187C116	Matt Black
<input type="radio"/>	187C151	Matt Black Cherry
<input type="radio"/>	187C152	Matt Purple
<input type="radio"/>	187C150	Matt Electric Blue
<input type="radio"/>	187C149	Matt Evergreen

Custom Colours			
<input type="checkbox"/>	187C43	Mossy Oak Camouflage	£158
<input type="checkbox"/>	187C42	Stars and Stripes	£158
<input type="checkbox"/>	187C108	Zebra (Choose base colour above, Base not avail in black.)	£158

<input type="radio"/>	187C114	Sparkle Silver	
<input type="radio"/>	187C145	Sunrise Orange	
<input type="radio"/>	187C113	Titanium	
<input type="radio"/>	187C8	Yellow	
<input type="radio"/>	187C140	Aztec Gold	

5. FRAME WIDTH

<input type="radio"/>	187W25	Small Cross Brace	
<input type="radio"/>	187S1	10"	
<input type="radio"/>	187S2	11"	
<input type="radio"/>	187S3	12"	
<input type="radio"/>	187W26	Medium Cross Brace	
<input type="radio"/>	187S3	12"	
<input type="radio"/>	187S4	13"	
<input type="radio"/>	187S5	14"	

<input type="radio"/>	187W27	Large Cross Brace	
<input type="radio"/>	187S5	14"	
<input type="radio"/>	187S6	15"	
<input type="radio"/>	187S7	16"	
<input type="radio"/>	187W28	X-Large Cross Brace	
<input type="radio"/>	187S7	16"	
<input type="radio"/>	187S8	17"	
<input type="radio"/>	187S9	18"	

6. FRAME DEPTH AND BACK POST LOCATION

<input type="radio"/>	187FD4	13" Frame Depth	
<input type="radio"/>	187FD5	14" Frame Depth	
<input type="radio"/>	187FD6	15" Frame Depth	
<input type="radio"/>	187FD7	16" Frame Depth	
<input type="radio"/>	187FD8	17" Frame Depth	
<input type="radio"/>	187FD9	18" Frame Depth	
<input type="radio"/>	187FD10	19" Frame Depth (uses rear frame extension plug)	
<input type="radio"/>	187FD36	20" Frame Depth (uses rear frame extension plug)	

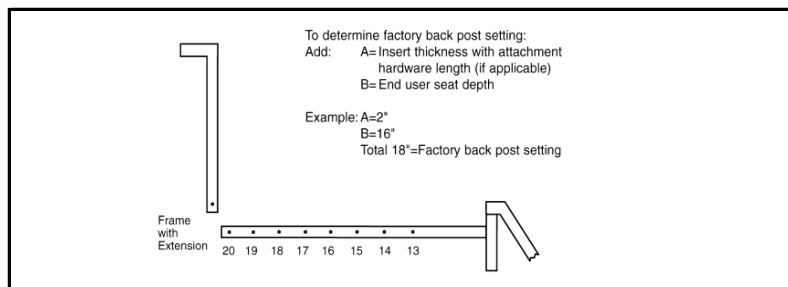


Figure 6.1 - Frame Depth Diagram

7. SEATING

Seats

<input type="radio"/>	187ST55	Solid Seat (Req. Solid Back) Not avail. w/10"13" W x 19" and 20" Frame Depth or 17"-18" W x 13"-17" Frame Depth.	
<input type="radio"/>	187ST14	Growing Seat Pan Depth (Fig. 7.1)	
<input type="radio"/>	187ST5	Omit Seat	

REFERENCE ONLY

Seat Depth Pan Size	Depth Range	
	Minimum	Maximum
Medium 13"-14"	11 3/4"	16 1/4"
Long 15"-17"	13 3/4"	18 1/4"
X-Long 18"-20"	15 3/4"	20 1/4"

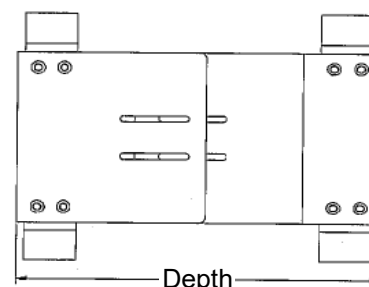


Figure 7.1 - Frame Depth Growth Range Matrix

Backs

(Solid Back Depth = 2" Less Than Frame Depth)

<input type="radio"/>	187PU4	Short Solid Back 12" (Requires solid seat)	
<input type="radio"/>	187PU5	Medium solid 14"	
<input type="radio"/>	187PU6	Tall Solid Back 16"	
<input type="radio"/>	187BT13	Omit Backrest	

8. TRANSIT TIE DOWN LOCATIONS

Requires: Solid Seat and Solid Back or, Growing Seat Pan and Jay Fit or Conventional Seat and Back or, Growing Seat Pan and Solid Back or, Jay Fit and/or Conventional Seat & Back

9. STROLLER HANDLE BACK POSTS - BACK RESTS

Fixed Height

<input type="radio"/>	187BP9	Low (19" Ht)	
<input type="radio"/>	187BP10	Medium (22" Ht)	
<input type="radio"/>	187BP11	Tall (25" Ht)	
<input type="checkbox"/>	187BP13	Removable Extension	£129
<input type="checkbox"/>	187RG1	Folding Adjustable Rigidizer	£265

Height Adjustable

Rigid Frame w/ Angle Adjust Push Handle

<input type="radio"/>	187B202	Std. (16"-22" Height.)	
<input type="radio"/>	187PH8	<i>Std. Angle Adj. Push Handle Lgth</i>	
<input type="radio"/>	187PH9	<i>Long Angle Adj. Push Handle Length</i>	
<input type="radio"/>	187B203	Tall (19"-25" Height.)	
<input type="radio"/>	187PH8	<i>Std. Angle Adj. Push Handle Lgth</i>	
<input type="radio"/>	187PH9	<i>Long Angle Adj. Push Handle Length</i>	

Folding Frame with Push Handle

<input type="radio"/>	187B204	Std. (17"-23" Height.)	
<input type="checkbox"/>	187BP47	<i>Swing-away Handle (not available with dual triggers)</i>	£109
<input type="radio"/>	187B205	Tall (20"-26" Height.)	
<input type="checkbox"/>	187BP47	<i>Swing-away Handle (not available with dual triggers)</i>	£109

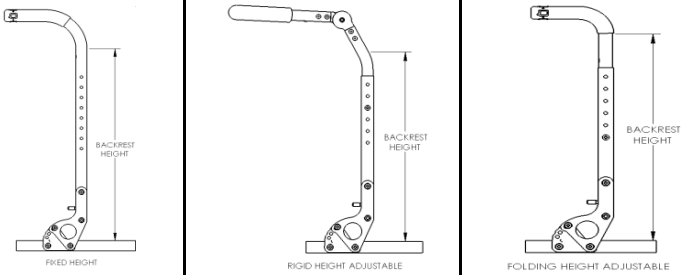


FIGURE 9.1 - HANDLE HEIGHT DIAGRAMS

10. ARMRESTS

Armrest and Armpad

<input type="radio"/>	187AA12	T-Post Regular w/Foam	
<input type="radio"/>	187AA13	T-Post Tall w/Foam	
<input type="radio"/>	187AA3	Flip-Up	
<input type="checkbox"/>	187AA1	Adjustable Locking Flip-Up	£273
<input type="checkbox"/>	187AA7	Length Adjust. Locking Flip-Up	£273
<input type="radio"/>	187AM23	<i>Desk Length (10")</i>	
<input type="radio"/>	187AM24	<i>Full Length (14")</i>	
<input type="radio"/>	187AM9	<i>Foam Short (not avail. w/T Post)</i>	
<input type="radio"/>	187AM10	<i>Foam Long (not avail. w/T Post)</i>	

Armrest - Height Adjustable

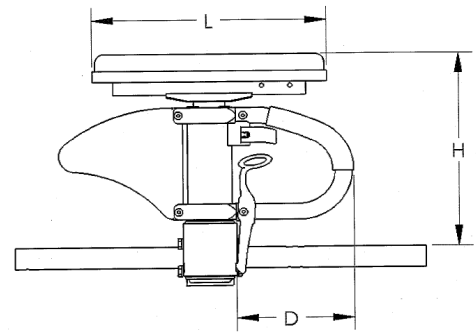
<input type="checkbox"/>	187AA11	Single-Post Height Adj. Std.	£273
<input type="radio"/>	187AM23	<i>Desk Classic</i>	
<input type="radio"/>	187AM21	<i>Desk Contour</i>	
<input type="radio"/>	187AM24	<i>Full Classic</i>	
<input type="radio"/>	187AM22	<i>Full Contour</i>	
<input type="checkbox"/>	187AA29	Single-Post Height Adj. Low	£273
<input type="radio"/>	187AM23	<i>Desk Classic</i>	
<input type="radio"/>	187AM21	<i>Desk Contour</i>	
<input type="radio"/>	187AM24	<i>Full Classic</i>	
<input type="radio"/>	187AM22	<i>Full Contour</i>	

Armrest Receiver for Height Adjustable Armrest

<input type="radio"/>	187AR17	Low (not avail. w/Lite Spokes)	
<input type="radio"/>	187AR18	Std	

Armrest Size	Transfer Tube Length D	Receiver	CLASSIC PAD		
			H Range	Pad Length L	
				Desk	Full
STD	8"	STD	10 3/4" to 15 3/4"	10 1/4"	14"
		LOW	8 3/4" to 13 3/4"		
LOW	5 1/4"	STD	9" to 13"	10 1/4"	14"
		LOW	7 1/4" to 11 1/4"		

Armrest Size	Transfer Tube Length D	Receiver	CONTOUR PAD		
			H Range	Pad Length L	
				Desk	Full
STD	8"	STD	10" to 15"	10 1/2"	14 1/4"
		LOW	8 1/4" to 12 1/2"		
LOW	5 1/4"	STD	8 1/2" to 12 1/2"	10 1/2"	14 1/4"
		LOW	6 3/4" to 10 3/4"		



Armrest Matrix for Single Post

11. FOOTRESTS

Hanger Mounted Footrest (Footplates Mount to Hanger Tubing)

Hanger Type

<input type="radio"/>	187H89	70° Swing In/Out Front Mount	
<input type="radio"/>	187H90	80° Swing In/Out Front Mount	
<input type="radio"/>	187H91	90° Swing In/Out Front Mount	
<input type="radio"/>	187H9	70° Heavy Duty Font Mount Lift-Off	
<input type="radio"/>	187H10	80° Heavy Duty Fnt Mount Lift-Off	
<input type="radio"/>	187H11	90° Heavy Duty Fnt Mount Lift-Off	
<input type="checkbox"/>	187H23	90° Elevating	£285

Extensions (may interfere with some seat heights & casters)

<input type="checkbox"/>	187E23	2" (not mounted)	£46
<input type="checkbox"/>	187E24	4" (not mounted)	£46

Footplate

<input type="radio"/>	187F9	Kids Angle Adjustable w/Leg Strap (not avail. w/17"-18" widths)	
<input type="checkbox"/>	187F8	Adult Angle Adj. W/Heel Loops (Available with 10"-18" widths)	£118
<input type="radio"/>	187F62	Footboard w/Leg Strap (Available with 10"-16" widths)	

Ext. Tube Mounted Footrests (Footplates Mount to Ext. Tube)

Hanger Type

<input type="radio"/>	187H85	60° Swing In/Out	
<input type="radio"/>	187H86	70° Swing In/Out	
<input type="radio"/>	187H116	80° Swing In/Out	
<input type="checkbox"/>	187H24	Articulating (not avail w/ 10"-13" composite footplates.)	£587
<input type="checkbox"/>	187H14	Elevating (Not avail. w/ comp- osite or platform footplates.)	£587

Extensions

<input type="radio"/>	187E1	Short (11.5" - 14")	
<input type="radio"/>	187E2	Med (14" - 17") Not avail. w/ ELR	
<input type="radio"/>	187E5	Long (17" - 19")	
<input type="checkbox"/>	187E16	High Mount	£85

Footplate

<input type="radio"/>	187F1	Composite w/Heel Loops (not avail. In 10", 11" or 12" width)	
<input type="radio"/>	187F3	Adult Angle Adjustable W/Heel Loops	
<input type="radio"/>	187F4	Kids Angle Adjustable w/Leg Strap (not avail. w/17"-18" width)	
<input type="radio"/>	187F5	Aluminium (Only available with elevating legrests 11"-18")	
<input type="checkbox"/>	187F48	Platform Flip-Up w/Leg Strap (Avail on 60° 70° and 80° ext. mount hangers only)	£176

Footrest Hanger Options

<input type="checkbox"/>	187IG2	Neoprene Covers (Avail. on 60°/ 70°/80° ext. mount hangers only)	£46
<input type="checkbox"/>	187HL5	Leg Strap	£46
<input type="checkbox"/>	187A110	Toe Loop (Only avail. w/ adult angle adjust. footplates)	£25
<input type="checkbox"/>	187H32	Omit Hanger	-£17
<input type="checkbox"/>	187F7	Omit Footplate & Ext. Tube	-£17
<input type="radio"/>	187HL4	Omit Heel Loop	
<input type="radio"/>	187HL6	Omit Single Leg Strap	
<input type="checkbox"/>	187HL1	Heel loops	£46

Rear Wheel Size	CASTOR SIZE							
	3	4	5	6	8 x 1	8 x 1.5	8 x 2	
12	○ 17.0	○ 16.5	○ 16.5	○ 17.0	○ 18.5	○ 18.0	○ 18.5	
	○ 17.5	○ 17.0	○ 17.0	○ 17.5				
		○ 17.5	○ 17.5					
12 Low Poly	○ 16.0	○ 16.0	○ 16.0	○ 16.5	N/A	N/A	N/A	
	○ 16.5	○ 16.5	○ 16.5					
16	○ 15.5	○ 15.5	○ 15.5		○ 18.5	○ 18.0	○ 18.5	
	○ 18.0	○ 18.0	○ 18.0	○ 18.0				
	○ 18.5	○ 18.5	○ 18.5	○ 18.5				
18	○ 15.5	○ 15.5	○ 15.5	○ 16.5	N/A	N/A	N/A	
	○ 16.0	○ 16.0	○ 16.0					
	○ 16.5	○ 16.5	○ 16.5					
20	○ 15.5	○ 15.5	○ 15.5	○ 18.5	○ 18.0	○ 18.5		
	○ 16.0	○ 16.0	○ 16.0					
	○ 16.5	○ 16.5	○ 16.5					○ 16.5
	○ 17.0	○ 17.0	○ 17.0					○ 17.0
	○ 17.5	○ 17.5	○ 17.5					○ 17.5
	○ 18.0	○ 18.0	○ 18.0					○ 18.0
22	○ 16.5	○ 16.5	○ 16.5	○ 16.5	○ 18.5	○ 18.5	○ 19.0	
	○ 17.0	○ 17.0	○ 17.0	○ 17.0				
	○ 17.5	○ 17.5	○ 17.5	○ 17.5				
	○ 18.0	○ 18.0	○ 18.0	○ 18.0				
	○ 18.5	○ 18.5	○ 18.5	○ 18.5				
24	○ 17.0				○ 18.5	○ 18.5	○ 19.0	
	○ 17.5	○ 17.5	○ 17.5	○ 17.5				
	○ 18.0	○ 18.0	○ 18.0	○ 18.0				
	○ 18.5	○ 18.5	○ 18.5	○ 18.5				
		○ 19.0	○ 19.0	○ 19.0				
			○ 19.5	○ 19.5				
			○ 20.0	○ 20.0				

Chart A - Seat to Floor Height Matrix

Shaded Castor Sizes not available with foot actuated wheel lock.
Note: Rear seat-to-floor ht. may be up to 1.5" lower than front seat-to-floor ht.

12. CASTORS

Castor Wheel

<input type="checkbox"/>	187CW30	3" Micro Light Up	£85	<input type="radio"/>	187CW21	8" Pneumatic	
<input type="checkbox"/>	187CW31	4" Micro Light Up	£85	<input type="radio"/>	187CW32	8" Polyurethane	
<input type="checkbox"/>	187CW51	5" Micro Light Up	£85	<input type="checkbox"/>	187CW39	8" x 1.5" Semi-Pneumatic	£59
<input type="radio"/>	187CW5	5" Low-Profile Polyurethane		<input type="radio"/>	187CW36	8" x 2" Pneumatic	
<input type="checkbox"/>	187CW7	5" x 1.5" Semi-Pneumatic	£59	<input type="radio"/>	187CW37	8" x 2" Pneumatic w/Airless Insert	
<input type="radio"/>	187CW33	6" Pneumatic		Castor Options			
<input type="radio"/>	187CW34	6" Polyurethane		<input type="checkbox"/>	187CS3	Castor Pin Locks (Not available with 8" x 2" and 8" x 1.5" casters)	£199
<input type="checkbox"/>	187CW35	6" x 1.5" Semi-Pneumatic	£59				

13. AXLES AND WHEELS

Axle Plate

<input type="radio"/>	187AL18	12" Rear Wheel Axle Plate (Only avail. w/12" or 16" rear wheels)	
<input type="radio"/>	187AL34	Short Adjustable (Not available with 12" rear wheels)	
<input type="radio"/>	187AL35	Long Adjustable (Not available with 12" rear wheels)	
<input type="checkbox"/>	187AL17	One Arm Drive (Avail. w/ 20", 22", 24" Mag Rear Wheels & 13"-18" width)	£1,162
<input type="radio"/>	187OA2	Standard Handrim	
<input type="radio"/>	187HM1	<i>Right</i>	
<input type="radio"/>	187HM2	<i>Left</i>	
<input type="radio"/>	187OA1	Small Handrim (not avail w/ 20" wheels)	
<input type="radio"/>	187HM1	<i>Right</i>	
<input type="radio"/>	187HM2	<i>Left</i>	

Axle

<input type="radio"/>	187AX26	One Arm Drive Axle (Only avail. w/One Arm Drive Option)	
<input type="radio"/>	187AX1	Quick Release	
<input type="checkbox"/>	187AX11	Quad Quick Release (<i>not available with Lite Spokes</i>)	£130

Rear Wheel Size

<input type="radio"/>	187RW13	12" Mag (Not available with handrims)	
<input type="checkbox"/>	187RW14	16" Mag (Not available with handrims)	£59
<input type="radio"/>	187RW3	20" Mag	
<input type="radio"/>	187RW8	22" Mag	
<input type="radio"/>	187RW1	24" Mag	
<input type="checkbox"/>	187RW12	18" Spoke	£199
<input type="checkbox"/>	187RW90	20" Lite Spoke	£199
<input type="checkbox"/>	187RW91	22" Lite Spoke	£199
<input type="checkbox"/>	187RW92	24" Lite Spoke	£199

Rear Wheel Tyre

<input type="radio"/>	187RT1	<i>Pneumatic</i>	
<input type="checkbox"/>	187RT2	<i>Pneumatic Airless Insert</i>	£123
<input type="radio"/>	187RT3	Full Polyurethane (Not avail.w/ 12", 16" and 18" rear wheels)	
<input type="radio"/>	187RT4	Low Polyurethane (Only available with 12" or 24" wheels)	
<input type="radio"/>	187RT6	High Pressure Clincher (Only available with 24" spoke wheels)	

13. AXLES AND WHEELS - CONT.

Handrim

<input type="radio"/>	187HR1	Aluminium Anodized	
<input type="checkbox"/>	187HR4	Plastic Coated	£88
<input type="checkbox"/>	187HR7	Omit (Not available with wheel/axle credit)	-£15

Projections (Not Available on Plastic Coated)

**Only available with 24" wheels & not available with spoke guards.*

<input type="checkbox"/>	187HR8	8 Oblique	£209
--------------------------	--------	-----------	------

Hub Lock

**Only available with 12" or 16" wheels. Not avail. w/Short Axle Plate. Not avail. w/ Long Adj. Axle Plate w/ 13", 14" and 20" Frame Depth and one arm drive.*

<input type="checkbox"/>	187LK01	12" Hub Lock	£180
<input type="checkbox"/>	187LK02	16" Hub Lock	£180

Wheel Lock

Not available with Hub Lock

<input type="radio"/>	187WL1	High Mount Push	
<input type="radio"/>	187WL2	High Mount Pull	
<input type="checkbox"/>	187WL25	Foot Lock (may limit folding width)	£169
<input type="radio"/>	187WL10	Omit	

Extension Handle

<input type="checkbox"/>	187EH1	6" Pair	£54
--------------------------	--------	---------	-----

Anti-Tip

<input type="radio"/>	187A01	Front Anti-Tip (Not available with caster pin locks) (Not available with transit option)	
<input type="radio"/>	187AT1	Rear Anti-Tip	

14. ACCESSORIES

Back Pack

<input type="checkbox"/>	187A1	Black Utility Backpack PC holder	£85
<input type="radio"/>	187A2	QUICKIE back pack	

Seat Pouch

<input type="checkbox"/>	187A8	Black	£62
--------------------------	-------	-------	-----

Miscellaneous

<input type="checkbox"/>	187A83	Tool Kit	£34
--------------------------	--------	----------	-----

Positioning Belt

<input type="checkbox"/>	187A112	1" Dual Pull Side Squeeze Padded	£146
<input type="checkbox"/>	187A117	Belt 2" Aircraft Buckle	£177
<input type="checkbox"/>	187A118	Belt 2" Aircraft Buckle Padded	£177
<input type="checkbox"/>	187A141	Belt 1.5" Auto Buckle	£103
<input type="checkbox"/>	187A814	1" Comfort fit APB5116	£119

Spoke Guard

(Not available with 12", 16" and 18" rear wheels & Projections Handrims)

<input type="checkbox"/>	187A23	Black	£147
<input type="checkbox"/>	187A24	Clear	£147

Upper Extremity Support Tray

<input type="checkbox"/>	187A29	X-Sm (Suggested 10"-12" Width)	£295
<input type="checkbox"/>	187A30	Sm (Suggested 13"-14" Width)	£295
<input type="checkbox"/>	187A31	Med (Suggested 15"-17" Width)	£295
<input type="checkbox"/>	187A32	Lrg (Suggested 18"-20" Width)	£295

Side Guard

(Not available with height adjustable armrests or T-Post armrests)

<input type="checkbox"/>	187SG33	Plastic Std - adult	£219
<input type="checkbox"/>	187SG29	Plastic Low - kids	£219